



Air Conditioning & Heating

# GSX16

High-Efficiency

SPLIT SYSTEM AIR CONDITIONER

1½ To 5 TONS

UP TO 16 SEER



### Contents

Nomenclature .....	2
Product Specifications .....	3
Expanded Cooling Data .....	4
AHRI Ratings.....	20
Wiring Diagrams .....	82
Dimensions .....	84
Accessories .....	84

### Standard Features

- R-410A chlorine-free refrigerant
- Energy-efficient compressor
- Factory-installed filter drier
- Fully charged for 15' of tubing length
- Copper tube/aluminum fin coil
- Service valves with sweat connections and easy-to-access gauge ports
- Contactor with lug connection
- Ground lug connection
- AHRI Certified; ETL Listed

### Cabinet Features

- Goodman® brand louvered sound control top design
- Wire fan discharge grille
- Steel louver coil guard
- Heavy-gauge galvanized-steel cabinet
- Attractive Architectural Gray powder-paint finish with 500-hour salt-spray approval
- Top and side maintenance access
- Single-panel access to controls with space provided for field-installed accessories
- When properly anchored, meets the 2010 Florida Building Code unit integrity requirements for hurricane-type winds (Anchor bracket kits available.)



ENERGY STAR® and the ENERGY STAR mark are registered trademarks owned by the U.S. Environmental Protection Agency. ENERGY STAR products are third-party certified by an EPA-recognized Certification Body. Products that earn the ENERGY STAR prevent greenhouse gas emissions by meeting strict energy efficiency guidelines set by the U.S. Environmental Protection Agency. Proper sizing and installation of equipment is critical to achieving optimal performance. Split system air conditioners and heat pumps must be matched with appropriate coil components to meet ENERGY STAR criteria. Ask your contractor for details or visit [www.energystar.gov](http://www.energystar.gov)



\* Complete warranty details available from your local dealer or at [www.goodmanmfg.com](http://www.goodmanmfg.com). To receive the 10-Year Compressor Limited Warranty and 10-Year Parts Limited Warranty, online registration must be completed within 60 days of installation. Online registration is not required in California or Quebec.

NOMENCLATURE

	<b>G</b>	<b>S</b>	<b>X</b>	<b>16</b>	<b>036</b>	<b>1</b>	<b>*</b>	<b>*</b>	
	<b>1</b>	<b>2</b>	<b>3</b>	<b>4,5</b>	<b>6,7,8</b>	<b>9</b>	<b>10</b>	<b>11</b>	
<b>Brand</b>	G Goodman® Brand						Engineering *		
							Minor Revision		
<b>Product Category</b>	S Split System						Engineering *		
							Major Revision		
<b>Unit Type</b>	X Condenser R-410A Z Heat Pump R-410A						Electrical		
							1	208-230 V, 1 Phase, 60 Hz	
							3	208-230 V, 3 Phase, 60 Hz	
<b>Efficiency</b>	13 13 SEER 14 14 SEER 16 16 SEER						Nominal Capacity		
							018	1½ Tons	042 3½ Tons
							024	2 Tons	048 4 Tons
							030	2½ Tons	060 5 Tons
							036	3 Tons	061 5 Tons

\* Neither used for order entry or inventory management.



SPECIFICATIONS

	GSX16 0181F*	GSX16 0241F*	GSX16 0301F*	GSX16 0361F*	GSX16 0421F*	GSX16 0481F*	GSX16 0601F*	GSX16 0611F*
<b>CAPACITIES</b>								
Nominal Cooling (BTU/h)	18,000	23,600	29,000	34,800	42,000	45,500	54,000	57,000
SEER	16	16	16	16	16	16	16	16
Decibels	71.5	71.5	71.5	71.5	73	73	73	73
<b>COMPRESSOR</b>								
RLA	9.0	13.5	12.8	14.1	17.9	17.9	21.4	25
LRA	46	58.3	64	77	112	112	135	134
<b>CONDENSER FAN MOTOR</b>								
Horsepower	1/6	1/6	1/6	1/6	1/6	1/4	1/3	1/4
FLA	1.10	1.10	1.10	1.10	1.10	1.50	2.80	1.50
<b>REFRIGERATION SYSTEM</b>								
Refrigerant Line Size <sup>1</sup>								
Liquid Line Size ("O.D.)	3/8"	3/8"	3/8"	3/8"	3/8"	3/8"	3/8"	3/8"
Suction Line Size ("O.D.)	3/4"	3/4"	7/8"	7/8"	7/8"	7/8"	7/8"	7/8"
Refrigerant Connection Size								
Liquid Valve Size ("O.D.)	3/8"	3/8"	3/8"	3/8"	3/8"	3/8"	3/8"	3/8"
Suction Valve Size ("O.D.)	3/4"	3/4"	7/8"	7/8"	7/8"	7/8"	7/8"	7/8"
Valve Type	Sweat	Sweat	Sweat	Sweat	Sweat	Sweat	Sweat	Sweat
Refrigerant Charge	78	78	91	94	110	121	240	125
<b>ELECTRICAL DATA</b>								
Voltage-Phase (60 Hz)	208/230-1	208/230-1	208/230-1	208/230-1	208/230-1	208/230-1	208/230-1	208/230-1
Minimum Circuit Ampacity <sup>2</sup>	12.4	18.0	17.1	18.7	23.5	23.9	29.6	32.8
Max. Overcurrent Protection <sup>3</sup>	20	30	25	30	40	40	50	50
Min / Max Volts	197/253	197/253	197/253	197/253	197/253	197/253	197/253	197/253
Electrical Conduit Size	1/2" or 3/4"	1/2" or 3/4"	1/2" or 3/4"	1/2" or 3/4"	1/2" or 3/4"	1/2" or 3/4"	1/2" or 3/4"	1/2" or 3/4"
<b>EQUIPMENT WEIGHT (LBS)</b>	145	142	149	162	206	219	279	291
<b>SHIP WEIGHT (LBS)</b>	163	160	167	180	228	241	301	314

<sup>1</sup> Tested and rated in accordance with ARI Standard 210/240

<sup>2</sup> Wire size should be determined in accordance with National Electrical Codes; extensive wire runs will require larger wire sizes

<sup>3</sup> Must use time-delay fuses or HACR-type circuit breakers of the same size as noted.

**NOTES**

- Always check the S&R plate for electrical data on the unit being installed.
- Installer will need to supply 7/8" to 1 1/2" adapters for suction line connections.
- Unit is charged with refrigerant for 15' of 3/8" liquid line. System charge must be adjusted per Installation Instructions Final Charge Procedure.
- Installation of these units requires the specified TXV Kit to be installed on the indoor coil. THE SPECIFIED TXV IS DETERMINED BY THE OUTDOOR UNIT NOT THE INDOOR COIL.

GSX160181F\* / CA\*F3636\*6D\*+TXV

IDB	AIRFLOW	OUTDOOR AMBIENT TEMPERATURE												ENTERING INDOOR WET BULB TEMPERATURE											
		65°F				75°F				85°F				95°F				105°F				115°F			
		59	63	67	71	59	63	67	71	59	63	67	71	59	63	67	71	59	63	67	71	59	63	67	71
70	MBh	15.8	16.4	17.9	-	15.4	16.0	17.5	-	15.1	15.6	17.1	-	14.7	15.2	16.7	-	14.0	14.5	15.9	-	12.9	13.4	14.7	-
	S/T	0.68	0.57	0.40	-	0.71	0.59	0.41	-	0.73	0.61	0.42	-	0.75	0.63	0.43	-	0.78	0.65	0.45	-	0.78	0.66	0.45	-
	ΔT	19	16	12	-	19	17	13	-	19	17	13	-	19	17	13	-	19	16	13	-	18	15	12	-
	KW	1.18	1.20	1.23	-	1.26	1.28	1.31	-	1.32	1.35	1.38	-	1.38	1.41	1.45	-	1.43	1.46	1.50	-	1.47	1.50	1.54	-
	Amps	4.3	4.3	4.5	-	4.6	4.7	4.8	-	4.9	5.0	5.2	-	5.2	5.4	5.5	-	5.6	5.7	5.9	-	5.9	6.0	6.2	-
	Hi PR	199	214	226	-	223	240	254	-	254	273	289	-	289	311	329	-	326	350	370	-	360	387	409	-
	Lo PR	101	108	118	-	107	114	125	-	111	119	129	-	117	125	136	-	123	130	142	-	127	135	147	-
	MBh	17.1	17.7	19.4	-	16.7	17.3	19.0	-	16.3	16.9	18.5	-	15.9	16.5	18.1	-	15.1	15.7	17.2	-	14.0	14.5	15.9	-
	S/T	0.71	0.59	0.41	-	0.73	0.61	0.43	-	0.75	0.63	0.44	-	0.78	0.65	0.45	-	0.81	0.67	0.47	-	0.81	0.68	0.47	-
	ΔT	17	15	11	-	17	15	11	-	17	15	11	-	18	15	12	-	17	15	11	-	16	14	11	-
KW	1.21	1.23	1.26	-	1.28	1.31	1.34	-	1.35	1.38	1.41	-	1.41	1.44	1.48	-	1.46	1.49	1.53	-	1.51	1.54	1.58	-	
Amps	4.4	4.5	4.6	-	4.7	4.8	4.9	-	5.1	5.2	5.3	-	5.4	5.5	5.7	-	5.7	5.8	6.0	-	6.0	6.2	6.4	-	
Hi PR	205	221	233	-	230	248	262	-	262	282	298	-	298	321	339	-	336	361	381	-	371	399	421	-	
Lo PR	105	111	122	-	111	118	128	-	115	122	133	-	121	128	140	-	126	135	147	-	131	139	152	-	
MBh	17.1	17.7	19.4	-	16.7	17.3	19.0	-	16.3	16.9	18.5	-	15.9	16.5	18.1	-	15.1	15.7	17.2	-	14.0	14.5	15.9	-	
S/T	0.71	0.59	0.41	-	0.73	0.61	0.43	-	0.75	0.63	0.44	-	0.78	0.65	0.45	-	0.81	0.67	0.47	-	0.81	0.68	0.47	-	
ΔT	17	14	11	-	17	14	11	-	17	15	11	-	17	15	11	-	17	14	11	-	16	13	10	-	
KW	1.21	1.23	1.26	-	1.28	1.31	1.34	-	1.35	1.38	1.41	-	1.41	1.44	1.48	-	1.46	1.49	1.53	-	1.51	1.54	1.58	-	
Amps	4.4	4.5	4.6	-	4.7	4.8	4.9	-	5.1	5.2	5.3	-	5.4	5.5	5.7	-	5.7	5.8	6.0	-	6.0	6.2	6.4	-	
Hi PR	205	221	233	-	230	248	262	-	262	282	298	-	298	321	339	-	336	361	381	-	371	399	421	-	
Lo PR	105	111	122	-	111	118	128	-	115	122	133	-	121	128	140	-	126	135	147	-	131	139	152	-	

75	MBh	16.1	16.5	17.9	19.2	15.7	16.2	17.5	18.8	15.3	15.8	17.1	18.3	15.0	15.4	16.7	17.9	14.2	14.6	15.8	17.0	13.2	13.5	14.7	15.7
	S/T	0.78	0.69	0.53	0.34	0.81	0.72	0.55	0.35	0.83	0.74	0.56	0.36	0.85	0.76	0.58	0.37	0.88	0.79	0.60	0.39	0.89	0.80	0.60	0.39
	ΔT	22	20	16	11	22	20	17	12	22	20	17	12	22	21	17	12	22	20	17	11	21	19	16	11
	KW	1.19	1.21	1.24	1.28	1.27	1.29	1.32	1.36	1.33	1.36	1.39	1.43	1.39	1.42	1.46	1.50	1.44	1.47	1.51	1.55	1.48	1.51	1.56	1.60
	Amps	4.3	4.4	4.5	4.7	4.6	4.7	4.9	5.0	5.0	5.1	5.2	5.4	5.3	5.4	5.6	5.8	5.6	5.7	5.9	6.1	5.9	6.1	6.3	6.5
	Hi PR	201	216	229	238	226	243	257	268	257	276	292	304	292	315	332	347	329	354	374	390	363	391	413	431
	Lo PR	103	109	119	127	108	115	126	134	113	120	131	139	118	126	137	146	124	132	144	153	128	136	149	159
	MBh	17.4	17.9	19.4	20.8	17.0	17.5	19.0	20.3	16.6	17.1	18.5	19.9	16.2	16.7	18.1	19.4	15.4	15.8	17.2	18.4	14.3	14.7	15.9	17.1
	S/T	0.81	0.72	0.55	0.35	0.84	0.75	0.57	0.36	0.86	0.77	0.58	0.37	0.88	0.79	0.60	0.38	0.92	0.82	0.62	0.40	0.93	0.83	0.63	0.40
	ΔT	20	18	15	10	20	19	15	10	20	19	15	10	20	19	15	10	20	18	15	10	19	17	14	10
KW	1.21	1.24	1.27	1.30	1.29	1.32	1.35	1.39	1.36	1.39	1.42	1.46	1.42	1.45	1.49	1.53	1.47	1.50	1.54	1.59	1.52	1.55	1.59	1.64	
Amps	4.4	4.5	4.6	4.8	4.7	4.8	5.0	5.2	5.1	5.2	5.4	5.6	5.4	5.6	5.7	5.9	5.8	5.9	6.1	6.3	6.1	6.2	6.4	6.7	
Hi PR	207	223	236	246	233	250	264	276	265	285	301	314	301	324	343	357	339	365	385	402	375	403	426	444	
Lo PR	106	112	123	131	112	119	130	138	116	123	135	144	122	130	142	151	128	136	148	158	132	141	153	163	
MBh	17.4	17.9	19.4	20.8	17.0	17.5	19.0	20.3	16.6	17.1	18.5	19.9	16.2	16.7	18.1	19.4	15.4	15.8	17.2	18.4	14.3	14.7	15.9	17.1	
S/T	0.81	0.72	0.55	0.35	0.84	0.75	0.57	0.36	0.86	0.77	0.58	0.37	0.88	0.79	0.60	0.38	0.92	0.82	0.62	0.40	0.93	0.83	0.63	0.40	
ΔT	19	18	14	10	19	18	15	10	19	18	15	10	20	18	15	10	19	18	15	10	18	17	14	9	
KW	1.21	1.24	1.27	1.30	1.29	1.32	1.35	1.39	1.36	1.39	1.42	1.46	1.42	1.45	1.49	1.53	1.47	1.50	1.54	1.59	1.52	1.55	1.59	1.64	
Amps	4.4	4.5	4.6	4.8	4.7	4.8	5.0	5.2	5.1	5.2	5.4	5.6	5.4	5.6	5.7	5.9	5.8	5.9	6.1	6.3	6.1	6.2	6.4	6.7	
Hi PR	207	223	236	246	233	250	264	276	265	285	301	314	301	324	343	357	339	365	385	402	375	403	426	444	
Lo PR	106	112	123	131	112	119	130	138	116	123	135	144	122	130	142	151	128	136	148	158	132	141	153	163	

IDB: Entering Indoor Dry Bulb Temperature  
 High and low pressures are measured at the liquid and suction service valves.  
 Shaded area reflects ACCA (TVA) conditions  
 Amps = outdoor unit amps (comp.+fan)  
 kW = Total system power

GSX160181F\* / CA\*F3636\* 6D\* + TXV (CONT.)

IDB	AIRFLOW	OUTDOOR AMBIENT TEMPERATURE												ENTERING INDOOR WET BULB TEMPERATURE											
		65°F				75°F				85°F				95°F				105°F				115°F			
		59	63	67	71	59	63	67	71	59	63	67	71	59	63	67	71	59	63	67	71	59	63	67	71
80	MBh	16.4	16.7	17.9	19.1	16.0	16.3	17.4	18.6	15.6	15.9	17.0	18.2	15.2	15.6	16.6	17.8	14.5	14.8	15.8	16.9	14.5	14.8	15.8	16.9
	S/T	0.85	0.80	0.65	0.49	0.88	0.83	0.67	0.50	0.91	0.85	0.69	0.52	0.93	0.88	0.71	0.53	0.97	0.91	0.74	0.55	0.97	0.91	0.74	0.55
	ΔT	24	23	20	16	25	24	21	16	25	24	21	16	25	24	21	17	25	24	20	16	23	22	19	15
	KW	1.20	1.22	1.25	1.28	1.27	1.30	1.33	1.37	1.34	1.37	1.40	1.44	1.40	1.43	1.47	1.51	1.45	1.48	1.52	1.57	1.49	1.52	1.57	1.61
	Amps	4.3	4.4	4.6	4.7	4.6	4.7	4.9	5.1	5.0	5.1	5.3	5.5	5.3	5.5	5.6	5.8	5.7	5.8	6.0	6.2	6.0	6.1	6.3	6.5
	Hi PR	203	219	231	241	228	245	259	270	259	279	295	307	295	318	336	350	332	358	378	394	367	395	417	435
	Lo PR	104	110	120	128	109	116	127	135	114	121	132	141	119	127	139	148	125	133	145	155	129	138	150	160
	MBh	17.7	18.1	19.4	20.7	17.3	17.7	18.9	20.2	16.9	17.3	18.5	19.7	16.5	16.8	18.0	19.2	15.7	16.0	17.1	18.3	14.5	14.8	15.8	16.9
	S/T	0.88	0.83	0.67	0.50	0.92	0.86	0.70	0.52	0.94	0.88	0.72	0.54	0.97	0.91	0.74	0.55	1.00	0.94	0.77	0.57	1.00	0.95	0.77	0.58
	ΔT	22	21	18	15	22	21	19	15	22	22	19	15	23	22	19	15	22	21	19	15	21	20	17	14
KW	1.22	1.24	1.28	1.31	1.30	1.32	1.36	1.40	1.37	1.40	1.43	1.48	1.43	1.46	1.50	1.54	1.48	1.51	1.56	1.60	1.53	1.56	1.60	1.65	
Amps	4.4	4.5	4.7	4.8	4.8	4.9	5.0	5.2	5.1	5.3	5.4	5.6	5.5	5.6	5.8	6.0	5.8	5.9	6.1	6.4	6.1	6.3	6.5	6.7	
Hi PR	209	225	238	248	235	253	267	279	267	288	304	317	304	328	346	361	343	369	389	406	378	407	430	449	
Lo PR	107	114	124	132	113	120	131	140	117	125	136	145	123	131	143	152	129	137	150	160	133	142	155	165	
MBh	17.7	18.1	19.4	20.7	17.3	17.7	18.9	20.2	16.9	17.3	18.5	19.7	16.5	16.8	18.0	19.2	15.7	16.0	17.1	18.3	14.5	14.8	15.8	16.9	
S/T	0.88	0.83	0.67	0.50	0.92	0.86	0.70	0.52	0.94	0.88	0.72	0.54	0.97	0.91	0.74	0.55	1.00	0.94	0.77	0.57	1.00	0.95	0.77	0.58	
ΔT	21	20	18	14	22	21	18	14	22	21	18	14	22	21	18	14	21	21	18	14	20	19	17	13	
KW	1.22	1.24	1.28	1.31	1.30	1.32	1.36	1.40	1.37	1.40	1.43	1.48	1.43	1.46	1.50	1.54	1.48	1.51	1.56	1.60	1.53	1.56	1.60	1.65	
Amps	4.4	4.5	4.7	4.8	4.8	4.9	5.0	5.2	5.1	5.3	5.4	5.6	5.5	5.6	5.8	6.0	5.8	5.9	6.1	6.4	6.1	6.3	6.5	6.7	
Hi PR	209	225	238	248	235	253	267	279	267	288	304	317	304	328	346	361	343	369	389	406	378	407	430	449	
Lo PR	107	114	124	132	113	120	131	140	117	125	136	145	123	131	143	152	129	137	150	160	133	142	155	165	

85	MBh	16.6	17.0	17.8	19.0	16.3	16.6	17.4	18.5	15.9	16.2	16.9	18.1	15.5	15.8	16.5	17.6	14.7	15.0	15.7	16.8	13.6	13.9	14.5	15.5
	S/T	0.89	0.86	0.78	0.63	0.93	0.89	0.81	0.65	0.95	0.92	0.83	0.67	0.98	0.95	0.85	0.69	1.00	0.98	0.89	0.72	1.00	0.99	0.89	0.72
	ΔT	26	26	24	21	26	26	25	21	26	26	25	21	27	26	25	21	26	26	24	21	24	24	23	20
	KW	1.21	1.23	1.26	1.29	1.28	1.31	1.34	1.38	1.35	1.38	1.41	1.45	1.41	1.44	1.48	1.52	1.46	1.49	1.53	1.58	1.51	1.53	1.58	1.63
	Amps	4.4	4.5	4.6	4.7	4.7	4.8	4.9	5.1	5.1	5.2	5.3	5.5	5.4	5.5	5.7	5.9	5.7	5.8	6.0	6.2	6.0	6.2	6.4	6.6
	Hi PR	205	221	233	243	230	248	262	273	262	282	298	310	298	321	339	354	336	361	381	398	371	399	421	439
	Lo PR	105	111	121	129	110	118	128	137	115	122	133	142	121	128	140	149	126	134	147	156	131	139	152	162
	MBh	18.0	18.4	19.3	20.5	17.6	18.0	18.8	20.1	17.2	17.5	18.4	19.6	16.8	17.1	17.9	19.1	15.9	16.2	17.0	18.2	14.8	15.0	15.8	16.8
	S/T	0.93	0.89	0.81	0.65	0.96	0.93	0.84	0.68	0.98	0.95	0.86	0.70	1.00	0.98	0.89	0.72	1.00	1.00	0.92	0.75	1.00	1.00	0.93	0.75
	ΔT	24	23	22	19	24	24	22	19	24	24	22	19	24	24	22	19	23	23	22	19	21	21	21	18
KW	1.23	1.25	1.29	1.32	1.31	1.33	1.37	1.41	1.38	1.41	1.44	1.49	1.44	1.47	1.51	1.55	1.49	1.52	1.57	1.61	1.54	1.57	1.62	1.66	
Amps	4.5	4.6	4.7	4.9	4.8	4.9	5.1	5.2	5.2	5.3	5.5	5.7	5.5	5.7	5.8	6.0	5.9	6.0	6.2	6.4	6.2	6.3	6.5	6.8	
Hi PR	212	228	240	251	237	255	270	281	270	291	307	320	308	331	349	364	346	372	393	410	382	411	434	453	
Lo PR	108	115	125	133	114	121	132	141	118	126	137	146	124	132	144	154	130	139	151	161	135	143	157	167	
MBh	18.0	18.4	19.3	20.5	17.6	18.0	18.8	20.1	17.2	17.5	18.4	19.6	16.8	17.1	17.9	19.1	15.9	16.2	17.0	18.2	14.8	15.0	15.8	16.8	
S/T	0.93	0.89	0.81	0.65	0.96	0.93	0.84	0.68	0.98	0.95	0.86	0.70	1.00	0.98	0.89	0.72	1.00	1.00	0.92	0.75	1.00	1.00	0.93	0.75	
ΔT	23	22	21	18	23	23	21	19	23	23	21	19	23	23	22	19	22	22	21	18	20	20	20	17	
KW	1.23	1.25	1.29	1.32	1.31	1.33	1.37	1.41	1.38	1.41	1.44	1.49	1.44	1.47	1.51	1.55	1.49	1.52	1.57	1.61	1.54	1.57	1.62	1.66	
Amps	4.5	4.6	4.7	4.9	4.8	4.9	5.1	5.2	5.2	5.3	5.5	5.7	5.5	5.7	5.8	6.0	5.9	6.0	6.2	6.4	6.2	6.3	6.5	6.8	
Hi PR	212	228	240	251	237	255	270	281	270	291	307	320	308	331	349	364	346	372	393	410	382	411	434	453	
Lo PR	108	115	125	133	114	121	132	141	118	126	137	146	124	132	144	154	130	139	151	161	135	143	157	167	

IDB: Entering Indoor Dry Bulb Temperature  
 High and low pressures are measured at the liquid and suction service valves.  
 Shaded area reflects AHRI conditions  
 Amps = outdoor unit amps (comp.+fan)  
 kW = Total system power

GSX160241F\* / CA\*F3636\*6D\* +TXV

IDB	AIRFLOW	OUTDOOR AMBIENT TEMPERATURE												ENTERING INDOOR WET BULB TEMPERATURE											
		65°F				75°F				85°F				95°F				105°F				115°F			
		59	63	67	71	59	63	67	71	59	63	67	71	59	63	67	71	59	63	67	71	59	63	67	71
70	MBh	22.1	22.9	25.1	-	21.6	22.4	24.5	-	21.1	21.9	23.9	-	20.6	21.3	23.4	-	19.5	20.3	22.2	-	18.1	18.8	20.6	-
	S/T	0.69	0.58	0.40	-	0.72	0.60	0.42	-	0.74	0.61	0.43	-	0.76	0.63	0.44	-	0.79	0.66	0.46	-	0.80	0.66	0.46	-
	ΔT	20	17	13	-	20	18	13	-	20	18	13	-	21	18	13	-	20	18	13	-	19	16	12	-
	kW	1.54	1.57	1.61	-	1.64	1.67	1.72	-	1.74	1.77	1.82	-	1.82	1.86	1.91	-	1.89	1.93	1.99	-	1.95	1.99	2.05	-
	Amps	5.7	5.8	6.0	-	6.1	6.3	6.5	-	6.6	6.8	7.0	-	7.1	7.3	7.5	-	7.5	7.7	8.0	-	8.0	8.2	8.4	-
	Hi PR	205	221	233	-	230	248	262	-	262	282	298	-	298	321	339	-	336	361	381	-	371	399	421	-
	Lo PR	103	109	119	-	109	116	126	-	113	120	131	-	119	126	138	-	124	132	144	-	129	137	149	-
	MBh	22.5	23.3	25.5	-	21.9	22.7	24.9	-	21.4	22.2	24.3	-	20.9	21.6	23.7	-	19.8	20.6	22.5	-	18.4	19.1	20.9	-
	S/T	0.72	0.60	0.42	-	0.74	0.62	0.43	-	0.76	0.64	0.44	-	0.79	0.66	0.46	-	0.82	0.68	0.47	-	0.82	0.69	0.48	-
	ΔT	20	17	13	-	20	17	13	-	20	17	13	-	20	17	13	-	20	17	13	-	19	16	12	-
kW	1.56	1.59	1.63	-	1.66	1.70	1.75	-	1.76	1.79	1.85	-	1.84	1.88	1.94	-	1.91	1.95	2.01	-	1.98	2.02	2.08	-	
Amps	5.8	5.9	6.1	-	6.2	6.4	6.6	-	6.7	6.9	7.1	-	7.2	7.4	7.6	-	7.6	7.8	8.1	-	8.1	8.3	8.6	-	
Hi PR	209	225	237	-	234	252	266	-	267	287	303	-	304	327	345	-	342	368	388	-	377	406	429	-	
Lo PR	105	111	122	-	111	118	128	-	115	122	133	-	121	128	140	-	126	135	147	-	131	139	152	-	
MBh	23.2	24.1	26.4	-	22.7	23.5	25.8	-	22.2	23.0	25.2	-	21.6	22.4	24.5	-	20.5	21.3	23.3	-	19.0	19.7	21.6	-	
S/T	0.76	0.64	0.44	-	0.79	0.66	0.46	-	0.81	0.68	0.47	-	0.84	0.70	0.48	-	0.87	0.73	0.50	-	0.88	0.73	0.51	-	
ΔT	18	16	12	-	18	16	12	-	18	16	12	-	18	16	12	-	18	16	12	-	17	15	11	-	
kW	1.58	1.61	1.65	-	1.69	1.72	1.77	-	1.78	1.82	1.87	-	1.87	1.91	1.97	-	1.94	1.98	2.04	-	2.01	2.05	2.11	-	
Amps	5.9	6.0	6.2	-	6.3	6.5	6.7	-	6.9	7.0	7.3	-	7.3	7.5	7.7	-	7.8	8.0	8.2	-	8.2	8.4	8.7	-	
Hi PR	213	229	242	-	239	257	272	-	272	293	309	-	310	333	352	-	348	375	396	-	385	414	437	-	
Lo PR	107	114	124	-	113	120	131	-	117	125	136	-	123	131	143	-	129	137	150	-	133	142	155	-	

75	MBh	22.5	23.2	25.1	26.9	22.0	22.6	24.5	26.3	21.4	22.1	23.9	25.6	20.9	21.5	23.3	25.0	19.9	20.5	22.1	23.8	18.4	19.0	20.5	22.0
	S/T	0.79	0.70	0.53	0.34	0.82	0.73	0.55	0.36	0.84	0.75	0.57	0.36	0.86	0.77	0.58	0.38	0.90	0.80	0.61	0.39	0.90	0.81	0.61	0.39
	ΔT	23	21	18	12	24	22	18	12	24	22	18	12	24	22	18	12	23	22	18	12	22	20	16	11
	kW	1.55	1.58	1.62	1.67	1.66	1.69	1.74	1.79	1.75	1.78	1.84	1.89	1.83	1.87	1.93	1.99	1.90	1.94	2.00	2.06	1.96	2.00	2.07	2.13
	Amps	5.7	5.9	6.1	6.3	6.2	6.3	6.5	6.8	6.7	6.9	7.1	7.3	7.2	7.3	7.6	7.8	7.6	7.8	8.0	8.3	8.0	8.2	8.5	8.8
	Hi PR	207	223	236	246	233	250	264	276	265	285	301	314	301	324	343	357	339	365	385	402	375	403	426	444
	Lo PR	104	111	121	128	110	117	127	136	114	121	132	141	120	127	139	148	126	134	146	155	130	138	151	161
	MBh	22.8	23.5	25.4	27.3	22.3	23.0	24.9	26.7	21.8	22.4	24.3	26.0	21.2	21.9	23.7	25.4	20.2	20.8	22.5	24.1	18.7	19.2	20.8	22.4
	S/T	0.82	0.73	0.55	0.36	0.85	0.76	0.57	0.37	0.87	0.78	0.59	0.38	0.90	0.80	0.61	0.39	0.93	0.83	0.63	0.40	0.94	0.84	0.63	0.41
	ΔT	23	21	17	12	23	21	17	12	23	21	17	12	23	21	18	12	23	21	17	12	21	20	16	11
kW	1.57	1.60	1.64	1.69	1.68	1.71	1.76	1.81	1.77	1.81	1.86	1.92	1.86	1.89	1.95	2.01	1.93	1.97	2.03	2.09	1.99	2.03	2.09	2.16	
Amps	5.8	6.0	6.1	6.4	6.3	6.4	6.6	6.9	6.8	7.0	7.2	7.5	7.3	7.4	7.7	8.0	7.7	7.9	8.2	8.5	8.2	8.4	8.6	9.0	
Hi PR	211	227	240	250	237	255	269	281	269	290	306	319	307	330	348	363	345	371	392	409	381	410	433	452	
Lo PR	106	112	123	131	112	119	130	138	116	123	135	144	122	130	142	151	128	136	148	158	132	141	153	163	
MBh	23.6	24.3	26.3	28.3	23.1	23.8	25.7	27.6	22.5	23.2	25.1	27.0	22.0	22.6	24.5	26.3	20.9	21.5	23.3	25.0	19.3	19.9	21.6	23.1	
S/T	0.87	0.78	0.59	0.38	0.90	0.80	0.61	0.39	0.92	0.83	0.62	0.40	0.95	0.85	0.64	0.41	0.99	0.88	0.67	0.43	1.00	0.89	0.67	0.43	
ΔT	21	19	16	11	21	20	16	11	21	20	16	11	21	20	16	11	21	19	16	11	20	18	15	10	
kW	1.59	1.62	1.67	1.72	1.70	1.73	1.79	1.84	1.80	1.83	1.89	1.95	1.88	1.92	1.98	2.04	1.96	2.00	2.06	2.12	2.02	2.06	2.13	2.19	
Amps	5.9	6.1	6.3	6.5	6.4	6.5	6.7	7.0	6.9	7.1	7.3	7.6	7.4	7.6	7.8	8.1	7.9	8.0	8.3	8.6	8.3	8.5	8.8	9.1	
Hi PR	215	232	245	255	241	260	274	286	275	296	312	326	313	337	355	371	352	379	400	417	389	418	442	461	
Lo PR	108	115	125	133	114	121	132	141	118	126	137	146	124	132	144	154	130	139	151	161	135	143	157	167	

IDB: Entering Indoor Dry Bulb Temperature  
 High and low pressures are measured at the liquid and suction service valves.  
 Shaded area reflects ACCA (TVA) conditions  
 Amps = outdoor unit amps (comp.+fan)  
 kW = Total system power

GSX160241F\* / CA\*F3636\*6D\* +TXV (CONT.)

IDB	AIRFLOW	OUTDOOR AMBIENT TEMPERATURE												ENTERING INDOOR WET BULB TEMPERATURE											
		65°F				75°F				85°F				95°F				105°F				115°F			
		59	63	67	71	59	63	67	71	59	63	67	71	59	63	67	71	59	63	67	71	59	63	67	71
80	MBh	22.9	23.4	25.0	26.7	22.4	22.8	24.4	26.1	21.8	22.3	23.8	25.5	21.3	21.8	23.2	24.8	20.2	20.7	22.1	23.6	18.7	19.1	20.5	21.9
	S/T	0.86	0.81	0.66	0.49	0.90	0.84	0.68	0.51	0.92	0.86	0.70	0.52	0.95	0.89	0.72	0.54	0.98	0.92	0.75	0.56	0.99	0.93	0.76	0.57
	ΔT	26	25	22	17	26	25	22	18	26	25	22	18	27	25	22	18	26	25	22	17	24	23	20	16
	KW	1.56	1.59	1.63	1.68	1.67	1.70	1.75	1.80	1.76	1.80	1.85	1.91	1.85	1.88	1.94	2.00	1.92	1.96	2.02	2.08	1.98	2.02	2.08	2.15
	Amps	5.8	5.9	6.1	6.3	6.2	6.4	6.6	6.8	6.8	6.9	7.1	7.4	7.2	7.4	7.6	7.9	7.7	7.9	8.1	8.4	8.1	8.3	8.6	8.9
	Hi PR	209	225	238	248	235	253	267	279	267	288	304	317	304	328	346	361	343	369	389	406	378	407	430	449
	Lo PR	105	112	122	130	111	118	129	137	115	123	134	143	121	129	141	150	127	135	147	157	131	140	152	162
	MBh	23.2	23.7	25.4	27.1	22.7	23.2	24.8	26.5	22.2	22.6	24.2	25.9	21.6	22.1	23.6	25.2	20.5	21.0	22.4	24.0	19.0	19.4	20.8	22.2
	S/T	0.90	0.84	0.68	0.51	0.93	0.87	0.71	0.53	0.95	0.89	0.73	0.54	0.98	0.92	0.75	0.56	1.00	0.96	0.78	0.58	1.00	0.96	0.78	0.59
	ΔT	26	24	21	17	26	25	22	17	26	25	22	17	26	25	22	17	25	25	21	17	23	23	20	16
KW	1.58	1.61	1.65	1.70	1.69	1.72	1.77	1.83	1.79	1.82	1.88	1.93	1.87	1.91	1.97	2.03	1.94	1.98	2.04	2.11	2.01	2.05	2.11	2.18	
Amps	5.9	6.0	6.2	6.4	6.3	6.5	6.7	6.9	6.9	7.0	7.3	7.5	7.3	7.5	7.7	8.0	7.8	8.0	8.2	8.5	8.2	8.4	8.7	9.0	
Hi PR	213	229	242	253	239	257	272	283	272	293	309	322	310	333	352	367	348	375	396	413	385	414	438	456	
Lo PR	107	114	124	132	113	120	131	140	117	125	136	145	123	131	143	152	129	137	150	160	133	142	155	165	
MBh	24.1	24.6	26.3	28.1	23.5	24.0	25.6	27.4	22.9	23.4	25.0	26.8	22.4	22.9	24.4	26.1	21.3	21.7	23.2	24.8	19.7	20.1	21.5	23.0	
S/T	0.95	0.89	0.73	0.54	1.00	0.93	0.75	0.56	1.00	0.95	0.77	0.58	1.00	1.00	0.80	0.60	1.00	1.00	0.83	0.62	1.00	1.00	0.83	0.62	
ΔT	23	22	19	16	24	23	20	16	23	23	20	16	23	23	20	16	22	22	20	16	20	21	18	15	
KW	1.60	1.63	1.68	1.73	1.71	1.75	1.80	1.85	1.81	1.85	1.90	1.96	1.90	1.94	2.00	2.06	1.97	2.01	2.08	2.14	2.04	2.08	2.14	2.21	
Amps	6.0	6.1	6.3	6.5	6.4	6.6	6.8	7.1	7.0	7.2	7.4	7.7	7.5	7.6	7.9	8.2	7.9	8.1	8.4	8.7	8.4	8.6	8.9	9.2	
Hi PR	217	234	247	258	244	262	277	289	277	299	315	329	316	340	359	374	355	383	404	421	393	423	446	465	
Lo PR	109	116	126	135	115	122	134	142	120	127	139	148	126	134	146	155	132	140	153	163	136	145	158	168	

700	MBh	23.3	23.7	24.9	26.5	22.7	23.2	24.3	25.9	22.2	22.6	23.7	25.3	21.7	22.1	23.1	24.7	20.6	21.0	22.0	23.4	19.1	19.4	20.4	21.7
	S/T	0.91	0.87	0.79	0.64	0.94	0.91	0.82	0.66	0.96	0.93	0.84	0.68	0.99	0.96	0.87	0.70	1.00	0.99	0.90	0.73	1.00	1.00	0.91	0.73
	ΔT	28	27	26	22	28	28	26	23	28	28	26	23	28	28	26	23	27	27	26	22	25	26	24	21
	KW	1.57	1.60	1.65	1.69	1.68	1.71	1.76	1.82	1.78	1.81	1.87	1.92	1.86	1.90	1.96	2.02	1.93	1.97	2.03	2.10	2.00	2.04	2.10	2.17
	Amps	5.8	6.0	6.2	6.4	6.3	6.4	6.6	6.9	6.8	7.0	7.2	7.5	7.3	7.5	7.7	8.0	7.7	7.9	8.2	8.5	8.2	8.4	8.7	9.0
	Hi PR	212	228	240	251	237	255	270	281	270	291	307	320	308	331	349	365	346	372	393	410	382	411	434	453
	Lo PR	106	113	123	131	112	119	130	139	116	124	135	144	122	130	142	151	128	136	149	158	133	141	154	164
	MBh	23.6	24.1	25.2	26.9	23.1	23.5	24.7	26.3	22.5	23.0	24.1	25.7	22.0	22.4	23.5	25.1	20.9	21.3	22.3	23.8	19.4	19.7	20.7	22.0
	S/T	0.94	0.91	0.82	0.66	0.97	0.94	0.85	0.69	1.00	0.96	0.87	0.71	1.00	0.99	0.90	0.73	1.00	1.00	0.93	0.76	1.00	1.00	0.94	0.76
	ΔT	27	27	25	22	28	27	26	22	28	27	26	22	27	27	26	22	26	26	25	22	24	24	24	21
KW	1.59	1.62	1.67	1.72	1.70	1.73	1.79	1.84	1.80	1.83	1.89	1.95	1.89	1.92	1.98	2.04	1.96	2.00	2.06	2.12	2.02	2.06	2.13	2.20	
Amps	5.9	6.1	6.3	6.5	6.4	6.5	6.7	7.0	6.9	7.1	7.3	7.6	7.4	7.6	7.8	8.1	7.9	8.0	8.3	8.6	8.3	8.5	8.8	9.1	
Hi PR	215	232	245	255	242	260	274	286	275	296	312	326	313	337	356	371	352	379	400	417	389	418	442	461	
Lo PR	108	115	125	133	114	121	132	141	118	126	137	146	124	132	144	154	130	139	151	161	135	143	157	167	
MBh	24.5	24.9	26.1	27.9	23.9	24.4	25.5	27.2	23.3	23.8	24.9	26.6	22.8	23.2	24.3	25.9	21.6	22.0	23.1	24.6	20.0	20.4	21.4	22.8	
S/T	1.00	0.96	0.87	0.71	1.00	1.00	0.90	0.73	1.00	1.00	0.92	0.75	1.00	1.00	0.95	0.77	1.00	1.00	0.99	0.80	1.00	1.00	1.00	0.81	
ΔT	25	25	23	20	24	25	23	20	24	24	24	20	23	24	24	20	22	23	23	20	20	21	22	19	
KW	1.61	1.64	1.69	1.74	1.73	1.76	1.81	1.87	1.83	1.86	1.92	1.98	1.91	1.95	2.01	2.08	1.99	2.03	2.09	2.16	2.05	2.10	2.16	2.23	
Amps	6.0	6.2	6.4	6.6	6.5	6.7	6.9	7.1	7.1	7.2	7.5	7.7	7.5	7.7	8.0	8.3	8.0	8.2	8.5	8.8	8.5	8.7	9.0	9.3	
Hi PR	220	236	249	260	246	265	280	292	280	302	318	332	319	343	363	378	359	386	408	426	397	427	451	470	
Lo PR	110	117	128	136	116	124	135	144	121	128	140	149	127	135	147	157	133	141	154	164	137	146	160	170	

IDB: Entering Indoor Dry Bulb Temperature  
 High and low pressures are measured at the liquid and suction service valves.  
 Shaded area reflects AHRI conditions  
 Amps = outdoor unit amps (comp.+fan)  
 kW = Total system power

GSX160301F\* / CA\*F3743\*6D\* +TXV

IDB		OUTDOOR AMBIENT TEMPERATURE												ENTERING INDOOR WET BULB TEMPERATURE											
		65°F				75°F				85°F				95°F				105°F				115°F			
		59	63	67	71	59	63	67	71	59	63	67	71	59	63	67	71	59	63	67	71	59	63	67	71
70	MBh	25.5	26.4	28.9	-	24.9	25.8	28.2	-	24.3	25.2	27.6	-	23.7	24.6	26.9	-	22.5	23.3	25.6	-	20.8	21.6	23.7	-
	S/T	0.70	0.59	0.41	-	0.73	0.61	0.42	-	0.75	0.62	0.43	-	0.77	0.64	0.45	-	0.80	0.67	0.46	-	0.81	0.67	0.47	-
	ΔT	19	16	12	-	19	16	12	-	19	16	13	-	19	17	13	-	19	16	12	-	18	15	12	-
	kW	1.87	1.90	1.96	-	2.00	2.04	2.10	-	2.11	2.15	2.22	-	2.21	2.26	2.32	-	2.30	2.34	2.41	-	2.37	2.42	2.49	-
	Amps	6.8	6.9	7.1	-	7.3	7.5	7.7	-	7.9	8.1	8.4	-	8.5	8.7	9.0	-	9.0	9.2	9.5	-	9.5	9.8	10.1	-
	Hi PR	214	230	243	-	240	258	272	-	272	293	310	-	310	334	353	-	349	376	397	-	386	415	438	-
	Lo PR	104	110	120	-	109	116	127	-	114	121	132	-	119	127	139	-	125	133	145	-	130	138	150	-
	MBh	27.6	28.6	31.3	-	26.9	27.9	30.6	-	26.3	27.3	29.9	-	25.7	26.6	29.1	-	24.4	25.3	27.7	-	22.6	23.4	25.6	-
	S/T	0.73	0.61	0.42	-	0.75	0.63	0.44	-	0.77	0.65	0.45	-	0.80	0.67	0.46	-	0.83	0.69	0.48	-	0.84	0.70	0.48	-
	ΔT	18	16	12	-	19	16	12	-	19	16	12	-	19	16	12	-	19	16	12	-	17	15	11	-
kW	1.91	1.95	2.00	-	2.04	2.08	2.14	-	2.16	2.20	2.27	-	2.26	2.31	2.38	-	2.35	2.40	2.47	-	2.43	2.48	2.55	-	
Amps	6.9	7.1	7.3	-	7.5	7.7	7.9	-	8.2	8.3	8.6	-	8.7	8.9	9.2	-	9.3	9.5	9.8	-	9.8	10.1	10.4	-	
Hi PR	220	237	250	-	247	266	281	-	281	302	319	-	320	344	364	-	360	387	409	-	398	428	452	-	
Lo PR	107	114	124	-	113	120	131	-	117	125	136	-	123	131	143	-	129	137	150	-	134	142	155	-	
MBh	28.4	29.5	32.3	-	27.8	28.8	31.5	-	27.1	28.1	30.8	-	26.4	27.4	30.0	-	25.1	26.0	28.5	-	23.3	24.1	26.4	-	
S/T	0.76	0.64	0.44	-	0.79	0.66	0.46	-	0.81	0.68	0.47	-	0.84	0.70	0.48	-	0.87	0.73	0.50	-	0.88	0.73	0.51	-	
ΔT	18	15	12	-	18	16	12	-	18	16	12	-	18	16	12	-	18	15	12	-	17	14	11	-	
kW	1.92	1.96	2.02	-	2.06	2.10	2.16	-	2.18	2.22	2.29	-	2.28	2.33	2.40	-	2.37	2.42	2.49	-	2.45	2.50	2.57	-	
Amps	7.0	7.2	7.4	-	7.6	7.8	8.0	-	8.2	8.4	8.7	-	8.8	9.0	9.3	-	9.4	9.6	9.9	-	9.9	10.1	10.5	-	
Hi PR	222	239	253	-	249	268	283	-	284	305	322	-	323	348	367	-	364	391	413	-	402	432	456	-	
Lo PR	108	115	125	-	114	121	132	-	118	126	138	-	124	132	145	-	130	139	151	-	135	143	157	-	

75	MBh	25.9	26.7	28.9	31.0	25.3	26.0	28.2	30.3	24.7	25.4	27.5	29.5	24.1	24.8	26.8	28.8	22.9	23.6	25.5	27.4	21.2	21.8	23.6	25.4
	S/T	0.80	0.71	0.54	0.35	0.83	0.74	0.56	0.36	0.85	0.76	0.57	0.37	0.88	0.78	0.59	0.38	0.91	0.81	0.62	0.40	0.92	0.82	0.62	0.40
	ΔT	22	20	16	11	22	20	17	11	22	20	17	11	22	20	16	11	22	20	16	11	20	19	15	11
	kW	1.88	1.92	1.97	2.03	2.01	2.05	2.11	2.17	2.13	2.17	2.23	2.30	2.23	2.27	2.34	2.41	2.31	2.36	2.43	2.51	2.39	2.44	2.51	2.59
	Amps	6.8	7.0	7.2	7.5	7.4	7.5	7.8	8.1	8.0	8.2	8.5	8.8	8.5	8.8	9.0	9.4	9.1	9.3	9.6	10.0	9.6	9.9	10.2	10.6
	Hi PR	216	232	245	256	242	260	275	287	275	296	313	326	314	337	356	372	353	380	401	418	390	419	443	462
	Lo PR	105	111	122	129	111	118	128	137	115	122	133	142	121	128	140	149	127	135	147	156	131	139	152	162
	MBh	28.1	28.9	31.3	33.6	27.4	28.2	30.5	32.8	26.8	27.5	29.8	32.0	26.1	26.9	29.1	31.2	24.8	25.5	27.6	29.7	23.0	23.6	25.6	27.5
	S/T	0.83	0.74	0.56	0.36	0.86	0.77	0.58	0.37	0.88	0.79	0.60	0.38	0.91	0.81	0.61	0.40	0.94	0.84	0.64	0.41	0.95	0.85	0.64	0.41
	ΔT	21	20	16	11	22	20	16	11	22	20	16	11	22	20	16	11	21	20	16	11	20	18	15	10
kW	1.92	1.96	2.02	2.08	2.06	2.10	2.16	2.22	2.18	2.22	2.29	2.36	2.28	2.33	2.40	2.47	2.37	2.42	2.49	2.57	2.45	2.50	2.57	2.66	
Amps	7.0	7.2	7.4	7.7	7.6	7.8	8.0	8.3	8.2	8.4	8.7	9.0	8.8	9.0	9.3	9.7	9.4	9.6	9.9	10.3	9.9	10.2	10.5	10.9	
Hi PR	222	239	253	264	250	269	284	296	284	305	322	336	323	348	367	383	364	391	413	431	402	432	457	476	
Lo PR	108	115	125	133	114	121	132	141	118	126	138	147	124	132	145	154	130	139	151	161	135	144	157	167	
MBh	28.9	29.8	32.2	34.6	28.2	29.1	31.5	33.8	27.6	28.4	30.7	33.0	26.9	27.7	30.0	32.2	25.5	26.3	28.5	30.5	23.7	24.4	26.4	28.3	
S/T	0.87	0.78	0.59	0.38	0.90	0.80	0.61	0.39	0.92	0.82	0.62	0.40	0.95	0.85	0.64	0.41	0.99	0.88	0.67	0.43	1.00	0.89	0.67	0.43	
ΔT	20	19	15	11	21	19	16	11	21	19	16	11	21	19	16	11	21	19	16	11	19	18	15	10	
kW	1.94	1.97	2.03	2.09	2.07	2.11	2.18	2.24	2.19	2.24	2.30	2.37	2.30	2.35	2.42	2.49	2.39	2.44	2.51	2.59	2.47	2.52	2.60	2.68	
Amps	7.1	7.2	7.5	7.8	7.6	7.8	8.1	8.4	8.3	8.5	8.8	9.1	8.9	9.1	9.4	9.7	9.4	9.7	10.0	10.4	10.0	10.2	10.6	11.0	
Hi PR	225	242	255	266	252	271	286	299	287	308	326	340	326	351	371	387	367	395	417	435	406	437	461	481	
Lo PR	109	116	127	135	115	122	134	142	120	127	139	148	126	134	146	155	132	140	153	163	136	145	158	169	

IDB: Entering Indoor Dry Bulb Temperature  
 High and low pressures are measured at the liquid and suction service valves.  
 Shaded area reflects ACCA (TVA) conditions  
 Amps = outdoor unit amps (comp.+fan)  
 kW = Total system power

GSX160301F\* / CA\*F3743\*6D\* +TXV (CONT.)

IDB	AIRFLOW	OUTDOOR AMBIENT TEMPERATURE												ENTERING INDOOR WET BULB TEMPERATURE											
		65°F				75°F				85°F				95°F				105°F				115°F			
		59	63	67	71	59	63	67	71	59	63	67	71	59	63	67	71	59	63	67	71	59	63	67	71
80	MBh	26.4	26.9	28.8	30.8	25.7	26.3	28.1	30.0	25.1	25.7	27.4	29.3	24.5	25.1	26.8	28.6	23.3	23.8	25.4	27.2	21.6	22.0	23.6	25.2
	S/T	0.88	0.82	0.67	0.50	0.91	0.85	0.69	0.52	0.93	0.87	0.71	0.53	0.96	0.90	0.73	0.55	1.00	0.93	0.76	0.57	1.00	0.94	0.77	0.57
	ΔT	24	23	20	16	25	24	20	16	25	24	21	16	25	24	21	16	24	23	20	16	23	22	19	15
	KW	1.90	1.93	1.99	2.04	2.03	2.07	2.13	2.19	2.14	2.19	2.25	2.32	2.25	2.29	2.36	2.43	2.33	2.38	2.45	2.53	2.41	2.46	2.53	2.61
	Amps	6.9	7.0	7.3	7.5	7.4	7.6	7.9	8.2	8.1	8.3	8.5	8.9	8.6	8.8	9.1	9.5	9.2	9.4	9.7	10.1	9.7	10.0	10.3	10.7
	Hi PR	218	234	248	258	244	263	278	290	278	299	316	330	317	341	360	375	356	383	405	422	394	424	447	467
	Lo PR	106	112	123	131	112	119	130	138	116	123	135	144	122	130	142	151	128	136	148	158	132	141	154	163
	MBh	28.6	29.2	31.2	33.3	27.9	28.5	30.5	32.6	27.2	27.8	29.7	31.8	26.6	27.1	29.0	31.0	25.2	25.8	27.6	29.5	23.4	23.9	25.5	27.3
	S/T	0.91	0.85	0.69	0.52	0.94	0.88	0.72	0.54	0.96	0.90	0.74	0.55	1.00	0.93	0.76	0.57	1.00	0.97	0.79	0.59	1.00	0.98	0.80	0.59
	ΔT	24	23	20	16	24	23	20	16	24	23	20	16	24	23	20	16	23	23	20	16	21	21	19	15
KW	1.94	1.97	2.03	2.09	2.07	2.11	2.18	2.24	2.19	2.24	2.30	2.37	2.30	2.35	2.42	2.49	2.39	2.44	2.51	2.59	2.47	2.52	2.60	2.68	
Amps	7.1	7.2	7.5	7.8	7.6	7.8	8.1	8.4	8.3	8.5	8.8	9.1	8.9	9.1	9.4	9.7	9.4	9.7	10.0	10.4	10.0	10.2	10.6	11.0	
Hi PR	225	242	255	266	252	271	286	299	287	308	326	340	326	351	371	387	367	395	417	435	406	437	461	481	
Lo PR	109	116	127	135	115	123	134	142	120	127	139	148	126	134	146	155	132	140	153	163	136	145	158	169	
MBh	29.4	30.1	32.1	34.3	28.7	29.4	31.4	33.5	28.0	28.7	30.6	32.7	27.4	28.0	29.9	31.9	26.0	26.6	28.4	30.3	24.1	24.6	26.3	28.1	
S/T	0.95	0.89	0.73	0.54	1.00	0.93	0.75	0.56	1.00	0.95	0.77	0.58	1.00	1.00	0.80	0.60	1.00	1.00	0.83	0.62	1.00	1.00	0.83	0.62	
ΔT	23	22	19	15	23	22	19	15	23	22	19	15	22	23	19	16	21	22	19	15	20	20	18	14	
KW	1.95	1.99	2.05	2.11	2.09	2.13	2.19	2.26	2.21	2.25	2.32	2.39	2.32	2.36	2.44	2.51	2.41	2.46	2.53	2.61	2.48	2.54	2.62	2.70	
Amps	7.1	7.3	7.5	7.8	7.7	7.9	8.2	8.5	8.4	8.6	8.9	9.2	9.0	9.2	9.5	9.8	9.5	9.8	10.1	10.5	10.1	10.3	10.7	11.1	
Hi PR	227	244	258	269	255	274	289	302	290	312	329	343	330	355	375	391	371	399	422	440	410	441	466	486	
Lo PR	110	117	128	136	116	124	135	144	121	129	140	150	127	135	147	157	133	142	155	165	138	146	160	170	

85	MBh	26.8	27.3	28.6	30.5	26.2	26.7	28.0	29.8	25.6	26.1	27.3	29.1	24.9	25.4	26.6	28.4	23.7	24.2	25.3	27.0	22.0	22.4	23.4	25.0
	S/T	0.92	0.89	0.80	0.65	0.95	0.92	0.83	0.67	0.98	0.94	0.85	0.69	1.00	0.97	0.88	0.71	1.00	1.00	0.91	0.74	1.00	1.00	0.92	0.74
	ΔT	26	25	24	21	26	26	24	21	26	26	24	21	26	26	24	21	25	25	24	21	23	24	23	20
	KW	1.91	1.95	2.00	2.06	2.04	2.08	2.14	2.21	2.16	2.20	2.27	2.34	2.26	2.31	2.38	2.45	2.35	2.40	2.47	2.55	2.43	2.48	2.55	2.63
	Amps	6.9	7.1	7.3	7.6	7.5	7.7	7.9	8.2	8.1	8.3	8.6	8.9	8.7	8.9	9.2	9.6	9.3	9.5	9.8	10.2	9.8	10.1	10.4	10.8
	Hi PR	220	237	250	261	247	266	281	293	281	302	319	333	320	344	363	379	360	387	409	426	398	428	452	471
	Lo PR	107	114	124	132	113	120	131	140	117	125	136	145	123	131	143	152	129	137	150	160	133	142	155	165
	MBh	29.1	29.6	31.0	33.1	28.4	28.9	30.3	32.3	27.7	28.2	29.6	31.6	27.0	27.6	28.9	30.8	25.7	26.2	27.4	29.2	23.8	24.2	25.4	27.1
	S/T	0.95	0.92	0.83	0.67	0.99	0.95	0.86	0.70	1.00	0.98	0.88	0.71	1.00	1.00	0.91	0.74	1.00	1.00	0.94	0.77	1.00	1.00	0.95	0.77
	ΔT	25	25	24	20	26	25	24	21	25	25	24	21	25	25	24	21	24	24	24	21	22	22	22	19
KW	1.95	1.99	2.05	2.11	2.09	2.13	2.19	2.26	2.21	2.25	2.32	2.39	2.32	2.36	2.44	2.51	2.41	2.46	2.53	2.61	2.48	2.54	2.62	2.70	
Amps	7.1	7.3	7.5	7.8	7.7	7.9	8.2	8.5	8.4	8.6	8.9	9.2	9.0	9.2	9.5	9.8	9.5	9.8	10.1	10.5	10.1	10.3	10.7	11.1	
Hi PR	227	244	258	269	255	274	289	302	290	312	329	343	330	355	375	391	371	399	422	440	410	441	466	486	
Lo PR	110	117	128	136	116	124	135	144	121	129	140	150	127	135	147	157	133	142	155	165	138	146	160	170	
MBh	29.9	30.5	31.9	34.1	29.2	29.8	31.2	33.3	28.5	29.1	30.5	32.5	27.8	28.4	29.7	31.7	26.4	27.0	28.2	30.1	24.5	25.0	26.2	27.9	
S/T	1.00	0.96	0.87	0.70	1.00	1.00	0.90	0.73	1.00	1.00	0.92	0.75	1.00	1.00	0.95	0.77	1.00	1.00	0.99	0.80	1.00	1.00	1.00	0.81	
ΔT	24	24	23	20	24	24	23	20	23	24	23	20	23	23	23	20	22	22	23	20	20	20	21	18	
KW	1.97	2.00	2.06	2.12	2.10	2.15	2.21	2.28	2.23	2.27	2.34	2.41	2.33	2.38	2.45	2.53	2.43	2.48	2.55	2.63	2.50	2.56	2.64	2.72	
Amps	7.2	7.4	7.6	7.9	7.8	8.0	8.2	8.5	8.5	8.7	8.9	9.3	9.0	9.3	9.6	9.9	9.6	9.9	10.2	10.6	10.2	10.4	10.8	11.2	
Hi PR	229	247	260	272	257	277	292	305	292	315	332	347	333	358	378	395	375	403	426	444	414	445	470	491	
Lo PR	111	118	129	138	117	125	136	145	122	130	142	151	128	136	149	159	134	143	156	166	139	148	161	172	

Amps = outdoor unit amps (comp.+fan)  
kW = Total system power

Shaded area reflects AHRI conditions

IDB: Entering Indoor Dry Bulb Temperature  
High and low pressures are measured at the liquid and suction service valves.

GSX160361F\* / CA\*F4860\*6D\* +TXV

IDB		OUTDOOR AMBIENT TEMPERATURE												ENTERING INDOOR WET BULB TEMPERATURE													
		65°F				75°F				85°F				95°F				105°F				115°F					
		59	63	67	71	59	63	67	71	59	63	67	71	59	63	67	71	59	63	67	71	59	63	67	71		
70	AIRFLOW	MBh	30.6	31.7	34.7	-	29.8	30.9	33.9	-	29.1	30.2	33.1	-	28.4	29.5	32.3	-	27.0	28.0	30.7	-	25.0	25.9	28.4	-	
		S/T	0.71	0.59	0.41	-	0.74	0.62	0.43	-	0.76	0.63	0.44	-	0.78	0.65	0.45	-	0.81	0.68	0.47	-	0.82	0.68	0.47	-	
	1050	ΔT	19	16	13	-	19	17	13	-	19	17	13	-	19	17	13	-	19	17	13	-	18	15	12	-	
		kW	2.23	2.27	2.34	-	2.39	2.44	2.51	-	2.53	2.58	2.66	-	2.65	2.70	2.79	-	2.75	2.81	2.90	-	2.84	2.90	2.99	-	
	1200	Amps	8.1	8.3	8.5	-	8.7	8.9	9.2	-	9.5	9.7	10.0	-	10.1	10.4	10.7	-	10.8	11.1	11.4	-	11.5	11.7	12.1	-	
		Hi PR	219	236	249	-	246	265	280	-	280	301	318	-	319	343	362	-	359	386	407	-	396	426	450	-	
	1350	Lo PR	103	109	120	-	109	116	126	-	113	120	131	-	119	126	138	-	124	132	144	-	129	137	149	-	
		MBh	33.1	34.3	37.6	-	32.3	33.5	36.7	-	31.6	32.7	35.8	-	30.8	31.9	35.0	-	29.3	30.3	33.2	-	27.1	28.1	30.8	-	
	75	AIRFLOW	S/T	0.74	0.62	0.43	-	0.76	0.64	0.44	-	0.78	0.65	0.45	-	0.81	0.68	0.47	-	0.84	0.70	0.49	-	0.85	0.71	0.49	-
			ΔT	19	16	12	-	19	16	12	-	19	16	12	-	19	17	13	-	19	16	12	-	18	15	12	-
1050		kW	2.28	2.33	2.39	-	2.44	2.49	2.57	-	2.59	2.64	2.72	-	2.71	2.77	2.85	-	2.82	2.88	2.97	-	2.91	2.97	3.07	-	
		Amps	8.3	8.5	8.8	-	9.0	9.2	9.5	-	9.8	10.0	10.3	-	10.4	10.7	11.1	-	11.1	11.4	11.8	-	11.8	12.1	12.5	-	
1200		Hi PR	226	243	257	-	254	273	288	-	288	310	328	-	329	354	373	-	370	398	420	-	408	440	464	-	
		Lo PR	106	113	123	-	112	119	130	-	116	124	135	-	122	130	142	-	128	136	149	-	133	141	154	-	
1350		MBh	34.1	35.3	38.7	-	33.3	34.5	37.8	-	32.5	33.7	36.9	-	31.7	32.9	36.0	-	30.1	31.2	34.2	-	27.9	28.9	31.7	-	
		S/T	0.77	0.65	0.45	-	0.80	0.67	0.46	-	0.82	0.69	0.48	-	0.85	0.71	0.49	-	0.88	0.74	0.51	-	0.89	0.74	0.51	-	
75		AIRFLOW	ΔT	18	16	12	-	18	16	12	-	18	16	12	-	18	16	12	-	18	16	12	-	17	15	11	-
			kW	2.30	2.34	2.41	-	2.46	2.51	2.59	-	2.61	2.66	2.74	-	2.73	2.79	2.88	-	2.84	2.90	2.99	-	2.94	3.00	3.09	-
	1050	Amps	8.4	8.6	8.9	-	9.1	9.3	9.6	-	9.9	10.1	10.4	-	10.5	10.8	11.2	-	11.2	11.5	11.9	-	11.9	12.2	12.6	-	
		Hi PR	228	246	259	-	256	276	291	-	291	314	331	-	332	357	377	-	373	402	424	-	413	444	469	-	
	1200	Lo PR	107	114	124	-	113	120	131	-	118	125	137	-	124	131	144	-	130	138	150	-	134	143	156	-	
		MBh	31.1	32.0	34.6	37.2	30.4	31.3	33.8	36.3	29.6	30.5	33.0	35.4	28.9	29.8	32.2	34.6	27.5	28.3	30.6	32.8	25.4	26.2	28.4	30.4	
	1350	S/T	0.81	0.72	0.55	0.35	0.84	0.75	0.57	0.36	0.86	0.77	0.58	0.37	0.89	0.79	0.60	0.39	0.92	0.82	0.62	0.40	0.93	0.83	0.63	0.40	
		ΔT	22	20	17	11	22	21	17	12	22	21	17	12	22	21	17	12	22	20	17	12	21	19	16	11	
	75	AIRFLOW	kW	2.25	2.29	2.36	2.43	2.41	2.45	2.53	2.60	2.55	2.60	2.68	2.76	2.67	2.73	2.81	2.90	2.78	2.83	2.92	3.01	2.87	2.93	3.02	3.11
			Amps	8.1	8.3	8.6	8.9	8.8	9.0	9.3	9.7	9.6	9.8	10.1	10.5	10.2	10.5	10.9	11.3	10.9	11.2	11.6	12.0	11.6	11.9	12.3	12.7
1050		Hi PR	222	238	252	263	249	267	282	295	283	304	321	335	322	346	366	382	362	390	412	429	400	431	455	474	
		Lo PR	104	111	121	129	110	117	128	136	114	121	133	141	120	128	139	148	126	134	146	155	130	138	151	161	
1200		MBh	33.7	34.7	37.5	40.3	32.9	33.9	36.6	39.3	32.1	33.1	35.8	38.4	31.3	32.2	34.9	37.5	29.8	30.6	33.2	35.6	27.6	28.4	30.7	33.0	
		S/T	0.84	0.75	0.57	0.37	0.87	0.78	0.59	0.38	0.89	0.80	0.60	0.39	0.92	0.82	0.62	0.40	0.95	0.85	0.65	0.42	0.96	0.86	0.65	0.42	
1350		ΔT	22	20	16	11	22	20	17	11	22	20	17	11	22	20	17	11	22	20	16	11	20	19	15	11	
		kW	2.30	2.34	2.41	2.48	2.46	2.51	2.59	2.67	2.61	2.66	2.74	2.83	2.73	2.79	2.88	2.97	2.84	2.90	2.99	3.09	2.94	3.00	3.09	3.19	
75		AIRFLOW	Amps	8.4	8.6	8.9	9.2	9.1	9.3	9.6	10.0	9.9	10.1	10.4	10.8	10.5	10.8	11.2	11.6	11.2	11.5	11.9	12.3	11.9	12.2	12.6	13.1
			Hi PR	228	246	260	271	256	276	291	304	291	314	331	345	332	357	377	393	373	402	424	443	413	444	469	489
1050	Lo PR	107	114	124	133	113	120	131	140	118	125	137	146	124	131	144	153	130	138	150	160	134	143	156	166		
	MBh	34.7	35.7	38.6	41.5	33.9	34.9	37.7	40.5	33.1	34.0	36.9	39.6	32.3	33.2	36.0	38.6	30.6	31.6	34.2	36.7	28.4	29.2	31.6	34.0		
1200	S/T	0.88	0.79	0.60	0.38	0.91	0.81	0.62	0.40	0.93	0.84	0.63	0.41	0.96	0.86	0.65	0.42	1.00	0.90	0.68	0.44	1.00	0.90	0.68	0.44		
	ΔT	21	19	16	11	21	19	16	11	21	19	16	11	21	20	16	11	21	19	16	11	19	18	15	10		
1350	kW	2.32	2.36	2.43	2.50	2.48	2.53	2.61	2.69	2.63	2.68	2.76	2.85	2.76	2.81	2.90	2.99	2.86	2.93	3.02	3.11	2.96	3.02	3.12	3.22		
	Amps	8.5	8.7	8.9	9.3	9.1	9.4	9.7	10.0	9.9	10.2	10.5	10.9	10.6	10.9	11.3	11.7	11.3	11.6	12.0	12.5	12.0	12.3	12.7	13.2		
75	AIRFLOW	Hi PR	231	248	262	273	259	279	294	307	294	317	334	349	335	361	381	397	377	406	429	447	417	448	474	494	
		Lo PR	108	115	126	134	114	122	133	141	119	126	138	147	125	133	145	154	131	139	152	162	135	144	157	167	

IDB: Entering Indoor Dry Bulb Temperature  
 High and low pressures are measured at the liquid and suction service valves.  
 Shaded area reflects ACCA (TVA) conditions  
 Amps = outdoor unit amps (comp.+fan)  
 kW = Total system power

GSX160361F\* / CA\*F4860\*6D\* +TXV (CONT.)

IDB	AIRFLOW	OUTDOOR AMBIENT TEMPERATURE												ENTERING INDOOR WET BULB TEMPERATURE												
		65°F				75°F				85°F				95°F				105°F				115°F				
		59	63	67	71	59	63	67	71	59	63	67	71	59	63	67	71	59	63	67	71	59	63	67	71	
80	1050	MBh	31.6	32.3	34.5	36.9	30.9	31.6	33.7	36.1	30.2	30.8	32.9	35.2	29.4	30.1	32.1	34.3	28.0	28.6	30.5	32.6	25.9	26.5	28.3	30.2
		S/T	0.89	0.83	0.68	0.51	0.92	0.86	0.70	0.52	0.94	0.88	0.72	0.54	0.97	0.91	0.74	0.55	1.01	0.95	0.77	0.58	1.02	0.95	0.78	0.58
	ΔT	25	24	20	16	25	24	21	17	25	24	21	17	25	24	21	17	25	24	21	16	23	22	19	15	
	KW	2.26	2.31	2.38	2.45	2.42	2.47	2.55	2.62	2.57	2.62	2.70	2.78	2.69	2.75	2.83	2.92	2.80	2.86	2.94	3.04	2.89	2.95	3.04	3.14	
	Amps	8.2	8.4	8.7	9.0	8.9	9.1	9.4	9.8	9.7	9.9	10.2	10.6	10.3	10.6	11.0	11.4	11.0	11.3	11.7	12.1	11.7	12.0	12.4	12.8	
	Hi PR	224	241	254	265	251	270	285	298	286	307	324	338	325	350	370	385	366	394	416	434	404	435	459	479	
	Lo PR	105	112	122	130	111	118	129	137	115	123	134	143	121	129	141	150	127	135	147	157	131	140	152	162	
	MBh	34.3	35.0	37.4	40.0	33.5	34.2	36.5	39.1	32.7	33.4	35.7	38.1	31.9	32.6	34.8	37.2	30.3	30.9	33.1	35.3	28.1	28.7	30.6	32.7	
	S/T	0.92	0.86	0.70	0.52	0.95	0.89	0.73	0.54	0.98	0.92	0.75	0.56	1.00	0.95	0.77	0.58	1.00	0.98	0.80	0.60	1.00	0.99	0.81	0.60	
	ΔT	24	23	20	16	24	23	20	16	24	23	20	16	24	23	20	16	24	23	20	16	21	22	19	15	
KW	2.32	2.36	2.43	2.50	2.48	2.53	2.61	2.69	2.63	2.68	2.76	2.85	2.76	2.81	2.90	2.99	2.87	2.93	3.02	3.11	2.96	3.02	3.12	3.22		
Amps	8.5	8.7	8.9	9.3	9.1	9.4	9.7	10.0	9.9	10.2	10.5	10.9	10.6	10.9	11.3	11.7	11.3	11.6	12.0	12.5	12.0	12.3	12.7	13.2		
Hi PR	231	248	262	273	259	279	294	307	294	317	335	349	335	361	381	397	377	406	429	447	417	448	474	494		
Lo PR	108	115	126	134	114	122	133	141	119	126	138	147	125	133	145	154	131	139	152	162	135	144	157	167		
MBh	35.3	36.1	38.5	41.2	34.5	35.2	37.6	40.2	33.7	34.4	36.7	39.3	32.8	33.5	35.8	38.3	31.2	31.9	34.1	36.4	28.9	29.5	31.5	33.7		
S/T	0.96	0.90	0.74	0.55	1.00	0.94	0.76	0.57	1.00	0.96	0.78	0.58	1.00	1.00	0.81	0.60	1.00	1.00	0.84	0.63	1.00	1.00	0.84	0.63		
ΔT	23	22	19	15	23	22	20	16	23	23	20	16	22	23	20	16	22	23	20	16	21	22	19	15		
KW	2.33	2.38	2.45	2.52	2.50	2.55	2.63	2.71	2.65	2.70	2.78	2.87	2.78	2.84	2.92	3.02	2.89	2.95	3.04	3.14	2.98	3.05	3.14	3.24		
Amps	8.5	8.7	9.0	9.4	9.2	9.5	9.8	10.1	10.0	10.3	10.6	11.0	10.7	11.0	11.4	11.8	11.4	11.7	12.1	12.6	12.1	12.4	12.8	13.3		
Hi PR	233	251	265	276	261	281	297	310	297	320	338	352	339	364	385	401	381	410	433	452	421	453	478	499		
Lo PR	109	116	127	135	116	123	134	143	120	128	139	148	126	134	146	156	132	141	153	163	137	145	159	169		

85	1050	MBh	32.2	32.8	34.4	36.7	31.4	32.0	33.6	35.8	30.7	31.3	32.8	34.9	29.9	30.5	32.0	34.1	28.4	29.0	30.4	32.4	26.3	26.9	28.1	30.0
		S/T	0.93	0.90	0.81	0.66	0.96	0.93	0.84	0.68	0.99	0.95	0.86	0.70	1.00	0.98	0.89	0.72	1.00	1.00	0.92	0.75	1.00	1.00	0.93	0.75
	ΔT	26	26	24	21	27	26	25	21	27	26	25	21	26	26	25	21	26	25	25	21	23	24	23	20	
	KW	2.28	2.33	2.39	2.46	2.44	2.49	2.57	2.64	2.59	2.64	2.72	2.80	2.71	2.77	2.85	2.94	2.82	2.88	2.97	3.06	2.91	2.97	3.07	3.16	
	Amps	8.3	8.5	8.8	9.1	9.0	9.2	9.5	9.9	9.8	10.0	10.3	10.7	10.4	10.7	11.1	11.5	11.1	11.4	11.8	12.2	11.8	12.1	12.5	13.0	
	Hi PR	226	243	257	268	254	273	288	301	288	310	328	342	328	353	373	389	370	398	420	438	408	439	464	484	
	Lo PR	106	113	123	131	112	119	130	139	116	124	135	144	122	130	142	151	128	136	149	159	133	141	154	164	
	MBh	34.9	35.5	37.2	39.7	34.1	34.7	36.4	38.8	33.2	33.9	35.5	37.9	32.4	33.1	34.6	36.9	30.8	31.4	32.9	35.1	28.5	29.1	30.5	32.5	
	S/T	0.96	0.93	0.84	0.68	1.00	0.96	0.87	0.71	1.00	0.99	0.89	0.72	1.00	1.00	0.92	0.75	1.00	1.00	0.96	0.78	1.00	1.00	0.96	0.78	
	ΔT	26	25	24	21	26	26	24	21	25	26	24	21	25	25	24	21	24	24	24	21	22	22	22	19	
KW	2.33	2.38	2.45	2.52	2.50	2.55	2.63	2.71	2.65	2.70	2.78	2.87	2.78	2.84	2.92	3.02	2.89	2.95	3.04	3.14	2.98	3.05	3.14	3.24		
Amps	8.5	8.7	9.0	9.4	9.2	9.5	9.8	10.1	10.0	10.3	10.6	11.0	10.7	11.0	11.4	11.8	11.4	11.7	12.1	12.6	12.1	12.4	12.8	13.3		
Hi PR	233	251	265	276	261	281	297	310	297	320	338	352	339	364	385	401	381	410	433	452	421	453	478	499		
Lo PR	109	116	127	135	116	123	134	143	120	128	139	148	126	134	146	156	132	141	153	163	137	145	159	169		
MBh	35.9	36.6	38.3	40.9	35.1	35.8	37.4	40.0	34.2	34.9	36.6	39.0	33.4	34.1	35.7	38.0	31.7	32.4	33.9	36.1	29.4	30.0	31.4	33.5		
S/T	1.00	0.98	0.88	0.71	1.00	1.00	0.91	0.74	1.00	1.00	0.94	0.76	1.00	1.00	0.97	0.78	1.00	1.00	0.96	0.81	1.00	1.00	1.00	0.82		
ΔT	24	24	23	20	24	24	23	20	23	24	23	20	23	23	23	20	22	22	23	20	20	20	21	19		
KW	2.35	2.40	2.47	2.54	2.52	2.57	2.65	2.73	2.67	2.72	2.81	2.89	2.80	2.86	2.95	3.04	2.91	2.97	3.07	3.16	3.01	3.07	3.17	3.27		
Amps	8.6	8.8	9.1	9.5	9.3	9.5	9.9	10.2	10.1	10.4	10.7	11.1	10.8	11.1	11.5	11.9	11.5	11.8	12.2	12.7	12.2	12.5	13.0	13.5		
Hi PR	235	253	267	279	264	284	300	313	300	323	341	356	342	368	389	405	385	414	437	456	425	457	483	504		
Lo PR	110	117	128	137	117	124	135	144	121	129	141	150	127	135	148	158	133	142	155	165	138	147	160	171		

IDB: Entering Indoor Dry Bulb Temperature  
 High and low pressures are measured at the liquid and suction service valves.  
 Shaded area reflects AHRI conditions  
 Amps = outdoor unit amps (comp.+fan)  
 kW = Total system power

GSX160421F\* / CA\*F4860\*6D\*+TXV

IDB	AIRFLOW	OUTDOOR AMBIENT TEMPERATURE												ENTERING INDOOR WET BULB TEMPERATURE											
		65°F				75°F				85°F				95°F				105°F				115°F			
		59	63	67	71	59	63	67	71	59	63	67	71	59	63	67	71	59	63	67	71	59	63	67	71
70	MBh	36.9	38.2	41.9	-	36.0	37.3	40.9	-	35.2	36.4	39.9	-	34.3	35.6	39.0	-	32.6	33.8	37.0	-	30.2	31.3	34.3	-
	S/T	0.70	0.59	0.41	-	0.73	0.61	0.42	-	0.75	0.62	0.43	-	0.77	0.64	0.45	-	0.80	0.67	0.46	-	0.81	0.67	0.47	-
	ΔT	19	17	13	-	20	17	13	-	20	17	13	-	20	17	13	-	20	17	13	-	18	16	12	-
	kW	2.70	2.76	2.83	-	2.89	2.95	3.03	-	3.06	3.12	3.21	-	3.20	3.27	3.37	-	3.33	3.39	3.50	-	3.43	3.50	3.61	-
	Amps	9.9	10.1	10.4	-	10.7	10.9	11.3	-	11.6	11.8	12.2	-	12.3	12.6	13.1	-	13.1	13.4	13.9	-	13.9	14.2	14.7	-
	Hi PR	220	237	250	-	247	265	280	-	281	302	319	-	320	344	363	-	359	387	409	-	397	427	451	-
	Lo PR	102	109	119	-	108	115	125	-	112	119	130	-	118	125	137	-	124	131	143	-	128	136	148	-
	MBh	40.0	41.4	45.4	-	39.0	40.5	44.3	-	38.1	39.5	43.3	-	37.2	38.5	42.2	-	35.3	36.6	40.1	-	32.7	33.9	37.1	-
	S/T	0.73	0.61	0.42	-	0.75	0.63	0.44	-	0.77	0.65	0.45	-	0.80	0.67	0.46	-	0.83	0.69	0.48	-	0.84	0.70	0.48	-
	ΔT	19	17	13	-	19	17	13	-	19	17	13	-	19	17	13	-	19	17	13	-	18	16	12	-
	kW	2.76	2.82	2.90	-	2.96	3.02	3.10	-	3.13	3.19	3.29	-	3.28	3.34	3.45	-	3.40	3.48	3.58	-	3.51	3.59	3.70	-
	Amps	10.1	10.4	10.7	-	10.9	11.2	11.6	-	11.9	12.2	12.6	-	12.7	13.0	13.4	-	13.5	13.8	14.3	-	14.3	14.6	15.1	-
Hi PR	227	244	258	-	254	274	289	-	289	311	329	-	329	355	374	-	371	399	421	-	409	441	465	-	
Lo PR	105	112	122	-	111	118	129	-	116	123	134	-	122	129	141	-	127	135	148	-	132	140	153	-	
MBh	41.2	42.7	46.7	-	40.2	41.7	45.7	-	39.2	40.7	44.6	-	38.3	39.7	43.5	-	36.4	37.7	41.3	-	33.7	34.9	38.3	-	
S/T	0.76	0.64	0.44	-	0.79	0.66	0.46	-	0.81	0.68	0.47	-	0.84	0.70	0.48	-	0.87	0.73	0.50	-	0.88	0.73	0.51	-	
ΔT	18	16	12	-	19	16	12	-	19	16	12	-	19	16	12	-	18	16	12	-	17	15	11	-	
kW	2.78	2.84	2.92	-	2.98	3.04	3.13	-	3.15	3.21	3.31	-	3.30	3.37	3.47	-	3.43	3.50	3.61	-	3.54	3.62	3.73	-	
Amps	10.2	10.5	10.8	-	11.0	11.3	11.7	-	12.0	12.3	12.7	-	12.8	13.1	13.6	-	13.6	14.0	14.4	-	14.4	14.8	15.3	-	
Hi PR	229	246	260	-	257	276	292	-	292	314	332	-	333	358	378	-	374	403	425	-	414	445	470	-	
Lo PR	106	113	124	-	112	120	131	-	117	124	136	-	123	131	143	-	129	137	149	-	133	142	155	-	

75	MBh	37.5	38.6	41.8	44.9	36.6	37.7	40.8	43.8	35.8	36.8	39.9	42.8	34.9	35.9	38.9	41.7	33.1	34.1	36.9	39.6	30.7	31.6	34.2	36.7
	S/T	0.80	0.71	0.54	0.35	0.83	0.74	0.56	0.36	0.85	0.76	0.57	0.37	0.88	0.78	0.59	0.38	0.91	0.81	0.62	0.40	0.92	0.82	0.62	0.40
	ΔT	22	21	17	12	23	21	17	12	23	21	17	12	23	21	17	12	23	21	17	12	21	19	16	11
	kW	2.72	2.78	2.86	2.94	2.91	2.97	3.06	3.15	3.08	3.14	3.23	3.33	3.23	3.29	3.39	3.50	3.35	3.42	3.53	3.64	3.46	3.53	3.64	3.76
	Amps	10.0	10.2	10.5	10.9	10.8	11.0	11.4	11.8	11.7	11.9	12.3	12.8	12.5	12.8	13.2	13.7	13.3	13.6	14.0	14.6	14.0	14.4	14.9	15.4
	Hi PR	222	239	252	263	249	268	283	295	283	305	322	336	323	347	367	383	363	391	413	430	401	432	456	476
	Lo PR	103	110	120	128	109	116	127	135	113	121	132	140	119	127	138	147	125	133	145	154	129	137	150	160
	MBh	40.6	41.8	45.3	48.6	39.7	40.9	44.2	47.5	38.7	39.9	43.2	46.3	37.8	38.9	42.1	45.2	35.9	37.0	40.0	43.0	33.3	34.2	37.1	39.8
	S/T	0.83	0.74	0.56	0.36	0.86	0.77	0.58	0.37	0.88	0.79	0.60	0.38	0.91	0.81	0.61	0.40	0.94	0.84	0.64	0.41	0.95	0.85	0.64	0.41
	ΔT	22	20	17	12	22	21	17	12	22	21	17	12	23	21	17	12	22	20	17	12	21	19	16	11
	kW	2.78	2.84	2.92	3.01	2.98	3.04	3.13	3.22	3.15	3.21	3.31	3.41	3.30	3.37	3.47	3.58	3.43	3.50	3.61	3.72	3.54	3.62	3.73	3.85
	Amps	10.2	10.5	10.8	11.2	11.0	11.3	11.7	12.1	12.0	12.3	12.7	13.2	12.8	13.1	13.6	14.1	13.6	14.0	14.4	15.0	14.4	14.8	15.3	15.9
Hi PR	229	246	260	271	257	276	292	305	292	314	332	346	333	358	378	394	374	403	425	444	414	445	470	490	
Lo PR	106	113	124	132	112	120	131	139	117	124	136	145	123	131	143	152	129	137	149	159	133	142	155	165	
MBh	41.9	43.1	46.6	50.1	40.9	42.1	45.6	48.9	39.9	41.1	44.5	47.7	38.9	40.1	43.4	46.6	37.0	38.1	41.2	44.2	34.3	35.3	38.2	41.0	
S/T	0.87	0.78	0.59	0.38	0.90	0.80	0.61	0.39	0.92	0.82	0.62	0.40	0.95	0.85	0.64	0.41	0.99	0.88	0.67	0.43	1.00	0.89	0.67	0.43	
ΔT	21	20	16	11	21	20	16	11	21	20	16	11	22	20	16	11	22	20	16	11	20	18	15	10	
kW	2.80	2.86	2.94	3.03	3.00	3.06	3.15	3.25	3.17	3.24	3.34	3.44	3.33	3.40	3.50	3.61	3.46	3.53	3.64	3.75	3.57	3.65	3.76	3.88	
Amps	10.3	10.6	10.9	11.3	11.1	11.4	11.8	12.2	12.1	12.4	12.8	13.3	12.9	13.2	13.7	14.2	13.8	14.1	14.6	15.1	14.6	14.9	15.4	16.0	
Hi PR	231	249	263	274	259	279	295	308	295	318	335	350	336	362	382	398	378	407	430	448	418	450	475	495	
Lo PR	107	114	125	133	114	121	132	140	118	126	137	146	124	132	144	153	130	138	151	161	134	143	156	166	

IDB: Entering Indoor Dry Bulb Temperature  
 High and low pressures are measured at the liquid and suction service valves.  
 Shaded area reflects ACCA (TVA) conditions  
 kW = Total system power  
 Amps = outdoor unit amps (comp.+fan)

GSX160421F\* / CA\*F4860\*6D\* +TXV (CONT.)

IDB	AIRFLOW	OUTDOOR AMBIENT TEMPERATURE												ENTERING INDOOR WET BULB TEMPERATURE											
		65°F				75°F				85°F				95°F				105°F				115°F			
		59	63	67	71	59	63	67	71	59	63	67	71	59	63	67	71	59	63	67	71	59	63	67	71
80	MBh	38.2	39.0	41.7	44.5	37.3	38.1	40.7	43.5	36.4	37.2	39.7	42.5	35.5	36.3	38.8	41.4	33.7	34.5	36.8	39.4	31.2	31.9	34.1	36.5
	S/T	0.88	0.82	0.67	0.50	0.91	0.85	0.69	0.52	0.93	0.87	0.71	0.53	0.96	0.90	0.73	0.55	1.00	0.93	0.76	0.57	1.00	0.94	0.77	0.57
	ΔT	25	24	21	17	25	24	21	17	25	24	21	17	26	25	21	17	25	24	21	17	24	23	20	16
	KW	2.74	2.80	2.88	2.96	2.93	2.99	3.08	3.17	3.10	3.17	3.26	3.36	3.25	3.32	3.42	3.52	3.38	3.45	3.55	3.66	3.49	3.56	3.67	3.79
	Amps	10.0	10.3	10.6	11.0	10.8	11.1	11.5	11.9	11.8	12.1	12.5	12.9	12.6	12.9	13.3	13.8	13.4	13.7	14.2	14.7	14.2	14.5	15.0	15.6
	Hi PR	224	241	255	266	252	271	286	298	286	308	325	339	326	351	371	386	367	395	417	435	405	436	461	480
	Lo PR	104	111	121	129	110	117	128	136	114	122	133	142	120	128	140	149	126	134	146	156	130	139	151	161
	MBh	41.4	42.3	45.2	48.3	40.4	41.3	44.1	47.1	39.4	40.3	43.1	46.0	38.5	39.3	42.0	44.9	36.5	37.3	39.9	42.7	33.9	34.6	37.0	39.5
	S/T	0.91	0.85	0.69	0.52	0.94	0.88	0.72	0.54	0.96	0.90	0.74	0.55	1.00	0.93	0.76	0.57	1.00	0.97	0.79	0.59	1.00	0.98	0.80	0.59
	ΔT	25	24	21	16	25	24	21	17	25	24	21	17	25	24	21	17	24	24	21	17	22	22	19	15
	KW	2.80	2.86	2.94	3.03	3.00	3.06	3.15	3.25	3.18	3.24	3.34	3.44	3.33	3.40	3.50	3.61	3.46	3.53	3.64	3.75	3.57	3.65	3.76	3.88
	Amps	10.3	10.6	10.9	11.3	11.1	11.4	11.8	12.2	12.1	12.4	12.8	13.3	12.9	13.2	13.7	14.2	13.8	14.1	14.6	15.1	14.6	14.9	15.4	16.0
Hi PR	231	249	263	274	260	279	295	308	295	318	335	350	336	362	382	398	378	407	430	448	418	450	475	495	
Lo PR	107	114	125	133	114	121	132	140	118	126	137	146	124	132	144	153	130	138	151	161	134	143	156	166	
MBh	42.6	43.5	46.5	49.7	41.6	42.5	45.4	48.6	40.6	41.5	44.3	47.4	39.6	40.5	43.3	46.2	37.6	38.5	41.1	43.9	34.9	35.6	38.1	40.7	
S/T	0.95	0.89	0.73	0.54	1.00	0.93	0.75	0.56	1.00	0.95	0.77	0.58	1.00	1.00	0.80	0.60	1.00	1.00	0.83	0.62	1.00	1.00	0.83	0.62	
ΔT	24	23	20	16	24	23	20	16	24	23	20	16	23	24	20	16	22	22	20	16	20	21	19	15	
KW	2.82	2.88	2.96	3.05	3.02	3.08	3.17	3.27	3.20	3.26	3.36	3.47	3.35	3.42	3.53	3.64	3.49	3.56	3.67	3.78	3.60	3.67	3.79	3.91	
Amps	10.4	10.7	11.0	11.4	11.2	11.5	11.9	12.3	12.2	12.5	12.9	13.4	13.0	13.4	13.8	14.3	13.9	14.2	14.7	15.2	14.7	15.1	15.6	16.2	
Hi PR	234	251	265	277	262	282	298	311	298	321	339	353	340	365	386	402	382	411	434	453	422	454	480	500	
Lo PR	109	116	126	134	115	122	133	142	119	127	138	147	125	133	145	155	131	140	152	162	136	144	158	168	
85	MBh	38.8	39.6	41.5	44.2	37.9	38.7	40.5	43.2	37.0	37.7	39.5	42.2	36.1	36.8	38.6	41.2	34.3	35.0	36.6	39.1	31.8	32.4	33.9	36.2
	S/T	0.92	0.89	0.80	0.65	0.95	0.92	0.83	0.67	0.98	0.94	0.85	0.69	1.00	0.97	0.88	0.71	1.00	1.00	0.91	0.74	1.00	1.00	0.92	0.74
	ΔT	27	26	25	22	27	27	25	22	27	27	25	22	27	27	25	22	26	26	25	22	24	24	23	20
	KW	2.76	2.82	2.90	2.98	2.96	3.01	3.10	3.20	3.13	3.19	3.28	3.38	3.28	3.34	3.44	3.55	3.40	3.47	3.58	3.69	3.51	3.59	3.70	3.82
	Amps	10.1	10.4	10.7	11.1	10.9	11.2	11.6	12.0	11.9	12.2	12.6	13.0	12.7	13.0	13.4	13.9	13.5	13.8	14.3	14.8	14.3	14.6	15.1	15.7
	Hi PR	227	244	257	269	254	274	289	301	289	311	329	343	329	354	374	390	371	399	421	439	409	441	465	485
	Lo PR	105	112	122	130	111	118	129	138	116	123	134	143	121	129	141	150	127	135	148	157	132	140	153	163
	MBh	42.1	42.9	44.9	47.9	41.1	41.9	43.9	46.8	40.1	40.9	42.8	45.7	39.1	39.9	41.8	44.6	37.2	37.9	39.7	42.4	34.4	35.1	36.8	39.2
	S/T	0.95	0.92	0.83	0.67	0.99	0.95	0.86	0.70	1.00	0.98	0.88	0.71	1.00	1.00	0.91	0.74	1.00	1.00	0.94	0.77	1.00	1.00	0.95	0.77
	ΔT	26	26	24	21	27	26	25	21	26	26	25	21	26	26	25	22	24	25	25	21	23	23	23	20
	KW	2.82	2.88	2.96	3.05	3.02	3.08	3.17	3.27	3.20	3.26	3.36	3.47	3.35	3.42	3.53	3.64	3.49	3.56	3.67	3.78	3.60	3.67	3.79	3.91
	Amps	10.4	10.7	11.0	11.4	11.2	11.5	11.9	12.3	12.2	12.5	12.9	13.4	13.0	13.4	13.8	14.3	13.9	14.2	14.7	15.2	14.7	15.1	15.6	16.2
Hi PR	234	251	265	277	262	282	298	311	298	321	339	353	340	365	386	402	382	411	434	453	422	454	480	500	
Lo PR	109	116	126	134	115	122	133	142	119	127	138	147	125	133	145	155	131	140	152	162	136	144	158	168	
MBh	43.3	44.2	46.3	49.4	42.3	43.2	45.2	48.2	41.3	42.1	44.1	47.1	40.3	41.1	43.0	45.9	38.3	39.0	40.9	43.6	35.5	36.2	37.9	40.4	
S/T	1.00	0.96	0.87	0.70	1.00	1.00	0.90	0.73	1.00	1.00	0.92	0.75	1.00	1.00	0.95	0.77	1.00	1.00	0.99	0.80	1.00	1.00	1.00	0.81	
ΔT	25	25	23	20	25	25	24	21	24	25	24	21	24	24	24	21	22	23	24	21	21	21	22	19	
KW	2.85	2.90	2.98	3.07	3.05	3.11	3.20	3.30	3.22	3.29	3.39	3.49	3.38	3.45	3.55	3.67	3.51	3.59	3.70	3.81	3.63	3.70	3.82	3.94	
Amps	10.5	10.8	11.1	11.5	11.3	11.6	12.0	12.4	12.3	12.6	13.0	13.5	13.2	13.5	13.9	14.5	14.0	14.3	14.8	15.4	14.8	15.2	15.7	16.3	
Hi PR	236	254	268	280	265	285	301	314	301	324	342	357	343	369	390	406	386	415	438	457	426	459	484	505	
Lo PR	110	117	127	136	116	123	135	143	120	128	140	149	126	135	147	156	133	141	154	164	137	146	159	170	

Amps = outdoor unit amps (comp.+fan)  
kW = Total system power

Shaded area reflects AHRI conditions

IDB: Entering Indoor Dry Bulb Temperature  
High and low pressures are measured at the liquid and suction service valves.

GSX160481F\* / CA\*F4961\*6D\* +TXV

IDB		OUTDOOR AMBIENT TEMPERATURE												ENTERING INDOOR WET BULB TEMPERATURE											
		65°F				75°F				85°F				95°F				105°F				115°F			
		59	63	67	71	59	63	67	71	59	63	67	71	59	63	67	71	59	63	67	71	59	63	67	71
70	MBh	42.6	44.2	48.4	-	41.6	43.2	47.3	-	40.7	42.1	46.2	-	39.7	41.1	45.0	-	37.7	39.1	42.8	-	34.9	36.2	39.6	-
	S/T	0.70	0.59	0.41	-	0.73	0.61	0.42	-	0.75	0.62	0.43	-	0.77	0.64	0.45	-	0.80	0.67	0.46	-	0.81	0.67	0.47	-
	ΔT	20	17	13	-	20	17	13	-	20	17	13	-	20	17	13	-	20	17	13	-	18	16	12	-
	kW	2.95	3.01	3.09	-	3.16	3.22	3.32	-	3.34	3.41	3.51	-	3.50	3.57	3.68	-	3.64	3.71	3.83	-	3.76	3.84	3.95	-
	Amps	10.8	11.0	11.4	-	11.7	11.9	12.3	-	12.7	13.0	13.4	-	13.5	13.9	14.3	-	14.4	14.7	15.2	-	15.3	15.6	16.2	-
	Hi PR	221	238	251	-	248	267	282	-	282	304	321	-	321	346	365	-	361	389	411	-	399	430	454	-
	Lo PR	105	112	122	-	111	118	129	-	115	123	134	-	121	129	141	-	127	135	147	-	131	140	152	-
	MBh	43.3	44.9	49.2	-	42.3	43.8	48.0	-	41.3	42.8	46.9	-	40.3	41.7	45.7	-	38.3	39.6	43.4	-	35.4	36.7	40.2	-
	S/T	0.73	0.61	0.42	-	0.75	0.63	0.44	-	0.77	0.65	0.45	-	0.80	0.67	0.46	-	0.83	0.69	0.48	-	0.84	0.70	0.48	-
	ΔT	19	17	13	-	20	17	13	-	20	17	13	-	20	17	13	-	19	17	13	-	18	16	12	-
kW	2.99	3.05	3.13	-	3.20	3.26	3.36	-	3.38	3.45	3.56	-	3.55	3.62	3.73	-	3.69	3.76	3.88	-	3.81	3.89	4.01	-	
Amps	11.0	11.2	11.6	-	11.8	12.1	12.5	-	12.9	13.2	13.6	-	13.7	14.1	14.5	-	14.6	15.0	15.5	-	15.5	15.9	16.4	-	
Hi PR	225	242	256	-	252	272	287	-	287	309	326	-	327	352	371	-	368	396	418	-	406	437	462	-	
Lo PR	107	114	124	-	113	120	131	-	117	125	136	-	123	131	143	-	129	137	150	-	134	142	155	-	
MBh	44.8	46.4	50.9	-	43.8	45.4	49.7	-	42.7	44.3	48.5	-	41.7	43.2	47.3	-	39.6	41.0	45.0	-	36.7	38.0	41.6	-	
S/T	0.77	0.65	0.45	-	0.80	0.67	0.46	-	0.82	0.69	0.48	-	0.85	0.71	0.49	-	0.88	0.74	0.51	-	0.89	0.74	0.51	-	
ΔT	18	15	12	-	18	16	12	-	18	16	12	-	18	16	12	-	18	15	12	-	17	14	11	-	
kW	3.03	3.09	3.18	-	3.25	3.31	3.41	-	3.44	3.51	3.61	-	3.60	3.68	3.79	-	3.75	3.82	3.94	-	3.87	3.95	4.07	-	
Amps	11.2	11.4	11.8	-	12.1	12.3	12.8	-	13.1	13.4	13.9	-	14.0	14.3	14.8	-	14.9	15.3	15.8	-	15.8	16.2	16.7	-	
Hi PR	229	247	261	-	257	277	292	-	293	315	333	-	333	359	379	-	375	404	426	-	414	446	471	-	
Lo PR	109	116	127	-	115	122	134	-	120	127	139	-	126	134	146	-	132	140	153	-	136	145	158	-	

75	MBh	43.4	44.6	48.3	51.9	42.4	43.6	47.2	50.7	41.3	42.6	46.1	49.5	40.3	41.5	45.6	49.0	38.3	39.5	42.7	45.8	35.5	36.5	39.6	42.5
	S/T	0.80	0.71	0.54	0.35	0.83	0.74	0.56	0.36	0.85	0.76	0.57	0.37	0.88	0.78	0.59	0.38	0.91	0.81	0.62	0.40	0.92	0.82	0.62	0.40
	ΔT	23	21	17	12	23	21	17	12	23	21	17	12	23	21	17	12	23	21	17	12	21	20	16	11
	kW	2.97	3.03	3.12	3.21	3.18	3.25	3.34	3.44	3.37	3.43	3.54	3.65	3.53	3.60	3.71	3.83	3.67	3.74	3.86	3.98	3.79	3.87	3.99	4.11
	Amps	10.9	11.2	11.5	11.9	11.8	12.0	12.4	12.9	12.8	13.1	13.5	14.0	13.7	14.0	14.5	15.0	14.5	14.9	15.4	16.0	15.4	15.8	16.3	16.9
	Hi PR	223	240	254	265	251	270	285	297	285	307	324	338	325	349	369	385	365	393	415	433	403	434	458	478
	Lo PR	106	113	123	131	112	119	130	139	116	124	135	144	122	130	142	151	128	136	149	159	133	141	154	164
	MBh	44.0	45.3	49.1	52.7	43.0	44.3	47.9	51.4	42.0	43.2	46.8	50.2	41.0	42.2	45.6	49.0	38.9	40.1	43.4	46.5	36.0	37.1	40.2	43.1
	S/T	0.83	0.74	0.56	0.36	0.86	0.77	0.58	0.37	0.88	0.79	0.60	0.38	0.91	0.81	0.61	0.40	0.94	0.84	0.64	0.41	0.95	0.85	0.64	0.41
	ΔT	22	21	17	12	23	21	17	12	23	21	17	12	23	21	17	12	22	21	17	12	21	19	16	11
kW	3.01	3.07	3.16	3.25	3.22	3.29	3.38	3.49	3.41	3.48	3.59	3.70	3.58	3.65	3.76	3.88	3.72	3.79	3.91	4.04	3.84	3.92	4.04	4.17	
Amps	11.1	11.3	11.7	12.1	12.0	12.2	12.6	13.1	13.0	13.3	13.7	14.3	13.9	14.2	14.7	15.2	14.8	15.1	15.6	16.2	15.6	16.0	16.6	17.2	
Hi PR	227	244	258	269	255	274	290	302	290	312	329	344	330	355	375	391	371	400	422	440	410	442	466	486	
Lo PR	108	115	125	133	114	121	132	141	118	126	138	147	124	132	145	154	130	139	151	161	135	144	157	167	
MBh	45.6	46.9	50.8	54.5	44.5	45.8	49.6	53.2	43.4	44.7	48.4	52.0	42.4	43.6	47.2	50.7	40.3	41.5	44.9	48.2	37.3	38.4	41.6	44.6	
S/T	0.88	0.79	0.60	0.38	0.91	0.82	0.62	0.40	0.93	0.84	0.63	0.41	0.96	0.86	0.65	0.42	1.00	0.90	0.68	0.44	1.00	0.90	0.68	0.44	
ΔT	20	19	15	11	21	19	16	11	21	19	16	11	21	19	16	11	21	19	16	11	19	18	15	10	
kW	3.05	3.11	3.20	3.30	3.27	3.34	3.44	3.54	3.46	3.53	3.64	3.75	3.63	3.71	3.82	3.94	3.78	3.85	3.97	4.10	3.90	3.98	4.11	4.24	
Amps	11.3	11.5	11.9	12.3	12.2	12.5	12.9	13.4	13.2	13.5	14.0	14.5	14.1	14.5	15.0	15.5	15.0	15.4	15.9	16.5	15.9	16.3	16.9	17.5	
Hi PR	232	249	263	275	260	280	295	308	296	318	336	350	337	362	383	399	379	408	431	449	419	451	476	496	
Lo PR	110	117	128	136	116	124	135	144	121	129	140	149	127	135	147	157	133	142	155	165	138	146	160	170	

IDB: Entering Indoor Dry Bulb Temperature  
 High and low pressures are measured at the liquid and suction service valves.  
 Shaded area reflects ACCA (TVA) conditions  
 Amps = outdoor unit amps (comp.+fan)  
 kW = Total system power

GSX160481F\* / CA\*F4961\*6D\*+TXV (CONT.)

IDB	AIRFLOW	OUTDOOR AMBIENT TEMPERATURE												ENTERING INDOOR WET BULB TEMPERATURE											
		65°F				75°F				85°F				95°F				105°F				115°F			
		59	63	67	71	59	63	67	71	59	63	67	71	59	63	67	71	59	63	67	71	59	63	67	71
80	MBh	44.1	45.1	48.2	51.5	43.1	44.0	47.1	50.3	42.1	43.0	45.9	49.1	41.1	41.9	44.8	47.9	39.0	39.9	42.6	45.5	36.1	36.9	39.4	42.2
	S/T	0.88	0.82	0.67	0.50	0.91	0.85	0.69	0.52	0.93	0.87	0.71	0.53	0.96	0.90	0.73	0.55	1.00	0.93	0.76	0.57	1.00	0.94	0.77	0.57
	ΔT	25	24	21	17	26	25	21	17	26	25	21	17	26	25	22	17	26	24	21	17	24	23	20	16
	KW	2.99	3.05	3.14	3.23	3.21	3.27	3.37	3.47	3.39	3.46	3.57	3.68	3.56	3.63	3.74	3.86	3.70	3.77	3.89	4.01	3.82	3.90	4.02	4.15
	Amps	11.0	11.3	11.6	12.0	11.9	12.2	12.6	13.0	12.9	13.2	13.6	14.2	13.8	14.1	14.6	15.1	14.7	15.0	15.5	16.1	15.5	15.9	16.5	17.1
	Hi PR	226	243	256	267	253	272	288	300	288	310	327	341	328	353	373	389	369	397	419	437	408	439	463	483
	Lo PR	107	114	124	133	113	120	131	140	118	125	137	146	124	131	144	153	130	138	150	160	134	143	156	166
	MBh	44.8	45.8	48.9	52.3	43.8	44.7	47.8	51.1	42.7	43.7	46.6	49.9	41.7	42.6	45.5	48.6	39.6	40.5	43.2	46.2	36.7	37.5	40.0	42.8
	S/T	0.91	0.85	0.69	0.52	0.94	0.88	0.72	0.54	0.96	0.90	0.74	0.55	1.00	0.93	0.76	0.57	1.00	0.97	0.79	0.59	1.00	0.98	0.80	0.59
	ΔT	25	24	21	17	25	24	21	17	25	24	21	17	25	24	21	17	24	24	21	17	22	22	20	16
KW	3.03	3.09	3.18	3.28	3.25	3.31	3.41	3.51	3.44	3.51	3.61	3.73	3.60	3.68	3.79	3.91	3.75	3.82	3.94	4.07	3.87	3.95	4.07	4.20	
Amps	11.2	11.4	11.8	12.2	12.1	12.4	12.8	13.2	13.1	13.4	13.9	14.4	14.0	14.3	14.8	15.4	14.9	15.3	15.8	16.4	15.8	16.2	16.7	17.4	
Hi PR	229	247	261	272	257	277	293	305	293	315	333	347	334	359	379	395	375	404	426	445	415	446	471	491	
Lo PR	109	116	127	135	115	123	134	142	120	127	139	148	126	134	146	155	132	140	153	163	136	145	158	169	
MBh	46.4	47.4	50.6	54.1	45.3	46.3	49.4	52.9	44.2	45.2	48.3	51.6	43.1	44.1	47.1	50.3	41.0	41.9	44.7	47.8	38.0	38.8	41.4	44.3	
S/T	0.96	0.90	0.74	0.55	1.00	0.94	0.76	0.57	1.00	0.96	0.78	0.58	1.00	1.00	0.81	0.60	1.00	1.00	0.84	0.63	1.00	1.00	0.85	0.63	
ΔT	23	22	19	15	23	22	19	15	23	22	19	15	22	22	19	16	21	21	19	15	19	20	18	14	
KW	3.08	3.14	3.23	3.33	3.30	3.36	3.46	3.57	3.49	3.56	3.67	3.78	3.66	3.74	3.85	3.97	3.81	3.88	4.01	4.13	3.93	4.01	4.14	4.27	
Amps	11.4	11.6	12.0	12.5	12.3	12.6	13.0	13.5	13.3	13.7	14.1	14.7	14.3	14.6	15.1	15.7	15.2	15.5	16.1	16.7	16.1	16.5	17.0	17.7	
Hi PR	234	252	266	277	263	283	298	311	299	321	339	354	340	366	387	403	383	412	435	454	423	455	481	501	
Lo PR	111	118	129	138	117	125	136	145	122	130	142	151	128	136	149	159	134	143	156	166	139	148	161	172	
85	MBh	44.9	45.8	47.9	51.1	43.9	44.7	46.8	50.0	42.8	43.6	45.7	48.8	41.8	42.6	44.6	47.6	39.7	40.4	42.4	45.2	36.8	37.5	39.2	41.9
	S/T	0.92	0.89	0.80	0.65	0.95	0.92	0.83	0.67	0.98	0.94	0.85	0.69	1.00	0.97	0.88	0.71	1.00	1.00	0.91	0.74	1.00	1.00	0.92	0.74
	ΔT	27	27	25	22	27	27	25	22	27	27	25	22	27	27	26	22	26	27	25	22	24	25	24	20
	KW	3.02	3.08	3.16	3.26	3.23	3.29	3.39	3.50	3.42	3.49	3.59	3.70	3.58	3.66	3.77	3.89	3.73	3.80	3.92	4.05	3.85	3.93	4.05	4.18
	Amps	11.1	11.4	11.7	12.2	12.0	12.3	12.7	13.1	13.0	13.3	13.8	14.3	13.9	14.2	14.7	15.3	14.8	15.2	15.7	16.3	15.7	16.1	16.6	17.2
	Hi PR	228	245	259	270	256	275	290	303	291	313	330	345	331	356	376	392	373	401	423	442	412	443	468	488
	Lo PR	108	115	126	134	114	122	133	141	119	126	138	147	125	133	145	154	131	139	152	162	135	144	157	167
	MBh	45.6	46.5	48.7	51.9	44.5	45.4	47.5	50.7	43.5	44.3	46.4	49.5	42.4	43.2	45.3	48.3	40.3	41.1	43.0	45.9	37.3	38.0	39.8	42.5
	S/T	0.95	0.92	0.83	0.67	0.99	0.95	0.86	0.70	1.00	0.98	0.88	0.71	1.00	1.00	0.91	0.74	1.00	1.00	0.94	0.77	1.00	1.00	0.95	0.77
	ΔT	27	26	25	21	27	26	25	22	27	26	25	22	26	26	25	22	25	25	25	22	23	23	23	20
KW	3.05	3.11	3.21	3.30	3.27	3.34	3.44	3.54	3.46	3.53	3.64	3.75	3.63	3.71	3.82	3.94	3.78	3.85	3.97	4.10	3.90	3.98	4.11	4.24	
Amps	11.3	11.5	11.9	12.3	12.2	12.5	12.9	13.4	13.2	13.5	14.0	14.5	14.1	14.5	15.0	15.5	15.0	15.4	15.9	16.5	15.9	16.3	16.9	17.5	
Hi PR	232	249	263	275	260	280	296	308	296	318	336	351	337	363	383	399	379	408	431	449	419	451	476	496	
Lo PR	110	117	128	136	116	124	135	144	121	129	140	150	127	135	147	157	133	142	155	165	138	146	160	170	
MBh	47.2	48.1	50.4	53.7	46.1	47.0	49.2	52.5	45.0	45.9	48.0	51.2	43.9	44.7	46.9	50.0	41.7	42.5	44.5	47.5	38.6	39.4	41.2	44.0	
S/T	1.00	0.98	0.88	0.71	1.00	1.00	0.91	0.74	1.00	1.00	0.94	0.76	1.00	1.00	0.97	0.78	1.00	1.00	1.00	0.81	1.00	1.00	1.00	0.82	
ΔT	24	24	23	20	24	24	23	20	23	23	23	20	22	23	23	20	21	22	23	20	20	20	21	18	
KW	3.10	3.16	3.25	3.35	3.32	3.39	3.49	3.60	3.52	3.59	3.70	3.81	3.69	3.77	3.88	4.00	3.83	3.92	4.04	4.17	3.96	4.05	4.17	4.31	
Amps	11.5	11.7	12.1	12.6	12.4	12.7	13.1	13.6	13.5	13.8	14.2	14.8	14.4	14.7	15.2	15.8	15.3	15.7	16.2	16.8	16.2	16.6	17.2	17.9	
Hi PR	236	254	269	280	265	285	301	314	302	325	343	358	344	370	390	407	387	416	439	458	427	460	485	506	
Lo PR	112	119	130	139	119	126	138	147	123	131	143	152	130	138	150	160	136	144	158	168	140	149	163	174	

Amps = outdoor unit amps (comp.+fan)  
kW = Total system power

Shaded area reflects AHRI conditions

IDB: Entering Indoor Dry Bulb Temperature  
High and low pressures are measured at the liquid and suction service valves.

GSX160601F\* / CA\*F4961\*6D\* +TXV

IDB	AIRFLOW	OUTDOOR AMBIENT TEMPERATURE												ENTERING INDOOR WET BULB TEMPERATURE											
		65°F				75°F				85°F				95°F				105°F				115°F			
		59	63	67	71	59	63	67	71	59	63	67	71	59	63	67	71	59	63	67	71	59	63	67	71
70	MBh	51.9	53.8	58.9	-	50.7	52.5	57.6	-	49.5	51.3	56.2	-	48.3	50.0	54.8	-	45.9	47.5	52.1	-	42.5	44.0	48.2	-
	S/T	0.74	0.62	0.43	-	0.77	0.64	0.45	-	0.79	0.66	0.46	-	0.81	0.68	0.47	-	0.85	0.71	0.49	-	0.85	0.71	0.49	-
	ΔT	20	18	13	-	20	18	13	-	21	18	13	-	21	18	14	-	20	18	13	-	19	16	12	-
	kW	3.55	3.62	3.73	-	3.80	3.88	3.99	-	4.03	4.11	4.23	-	4.22	4.31	4.44	-	4.39	4.48	4.62	-	4.53	4.63	4.77	-
	Amps	13.2	13.5	14.0	-	14.3	14.6	15.1	-	15.5	15.9	16.4	-	16.6	17.0	17.5	-	17.6	18.0	18.6	-	18.6	19.1	19.7	-
	Hi PR	217	233	246	-	243	262	276	-	276	297	314	-	315	339	358	-	354	381	403	-	391	421	445	-
	Lo PR	103	109	119	-	109	115	126	-	113	120	131	-	118	126	138	-	124	132	144	-	128	137	149	-
	MBh	51.4	53.2	58.3	-	50.2	52.0	57.0	-	49.0	50.8	55.6	-	47.8	49.5	54.3	-	45.4	47.1	51.6	-	42.1	43.6	47.8	-
	S/T	0.73	0.61	0.42	-	0.75	0.63	0.44	-	0.77	0.65	0.45	-	0.80	0.67	0.46	-	0.83	0.69	0.48	-	0.84	0.70	0.48	-
	ΔT	21	18	14	-	21	19	14	-	21	19	14	-	22	19	14	-	21	18	14	-	20	17	13	-
kW	3.55	3.61	3.72	-	3.80	3.87	3.99	-	4.02	4.10	4.22	-	4.21	4.30	4.43	-	4.38	4.47	4.61	-	4.52	4.61	4.76	-	
Amps	13.2	13.5	13.9	-	14.2	14.6	15.1	-	15.5	15.8	16.3	-	16.5	16.9	17.5	-	17.6	18.0	18.6	-	18.6	19.0	19.7	-	
Hi PR	216	232	245	-	242	261	275	-	276	297	313	-	314	338	357	-	353	380	401	-	390	420	443	-	
Lo PR	102	109	119	-	108	115	126	-	112	120	131	-	118	126	137	-	124	132	144	-	128	136	149	-	
MBh	53.2	55.1	60.4	-	51.9	53.8	59.0	-	50.7	52.5	57.6	-	49.5	51.3	56.2	-	47.0	48.7	53.4	-	43.5	45.1	49.4	-	
S/T	0.77	0.65	0.45	-	0.80	0.67	0.46	-	0.82	0.69	0.48	-	0.85	0.71	0.49	-	0.88	0.74	0.51	-	0.89	0.74	0.51	-	
ΔT	17	15	11	-	17	15	11	-	17	15	11	-	17	15	11	-	17	15	11	-	16	14	10	-	
kW	3.60	3.67	3.77	-	3.85	3.93	4.05	-	4.08	4.16	4.29	-	4.28	4.36	4.50	-	4.44	4.54	4.68	-	4.59	4.69	4.83	-	
Amps	13.4	13.7	14.2	-	14.5	14.8	15.3	-	15.7	16.1	16.6	-	16.8	17.2	17.8	-	17.9	18.3	18.9	-	18.9	19.4	20.0	-	
Hi PR	220	237	250	-	247	266	281	-	281	303	319	-	320	345	364	-	360	388	409	-	398	428	452	-	
Lo PR	104	111	121	-	110	117	128	-	115	122	133	-	120	128	140	-	126	134	147	-	131	139	152	-	

75	MBh	52.8	54.3	58.8	63.1	51.5	53.1	57.4	61.6	50.3	51.8	56.1	60.2	49.1	50.5	54.7	58.7	46.6	48.0	52.0	55.8	43.2	44.5	48.1	51.7
	S/T	0.84	0.75	0.57	0.37	0.87	0.78	0.58	0.38	0.90	0.80	0.61	0.39	0.93	0.83	0.63	0.40	0.96	0.86	0.65	0.42	0.97	0.87	0.66	0.42
	ΔT	23	22	18	12	24	22	18	12	24	22	18	12	24	22	18	12	24	22	18	12	22	20	17	11
	kW	3.58	3.65	3.76	3.87	3.83	3.91	4.03	4.15	4.06	4.14	4.26	4.40	4.25	4.34	4.48	4.62	4.42	4.51	4.65	4.80	4.57	4.66	4.81	4.96
	Amps	13.4	13.7	14.1	14.6	14.4	14.8	15.2	15.8	15.6	16.0	16.5	17.2	16.7	17.1	17.7	18.3	17.8	18.2	18.8	19.5	18.8	19.3	19.9	20.7
	Hi PR	219	235	249	259	246	264	279	291	279	301	317	331	318	342	361	377	358	385	407	424	395	425	449	469
	Lo PR	104	110	121	128	110	117	127	136	114	121	132	141	120	127	139	148	125	133	146	155	130	138	151	160
	MBh	52.2	53.8	58.2	62.5	51.0	52.5	56.9	61.0	49.8	51.3	55.5	59.6	48.6	50.0	54.2	58.1	46.2	47.5	51.5	55.2	42.8	44.0	47.7	51.2
	S/T	0.83	0.74	0.56	0.36	0.86	0.77	0.58	0.37	0.88	0.79	0.60	0.38	0.91	0.81	0.61	0.40	0.94	0.84	0.64	0.41	0.95	0.85	0.64	0.41
	ΔT	24	23	18	13	25	23	19	13	25	23	19	13	25	23	19	13	25	23	19	13	23	21	17	12
kW	3.57	3.64	3.75	3.86	3.82	3.90	4.02	4.14	4.05	4.13	4.25	4.39	4.24	4.33	4.46	4.60	4.41	4.50	4.64	4.79	4.56	4.65	4.80	4.95	
Amps	13.3	13.6	14.1	14.6	14.4	14.7	15.2	15.8	15.6	16.0	16.5	17.1	16.7	17.1	17.6	18.3	17.7	18.2	18.8	19.5	18.8	19.2	19.9	20.6	
Hi PR	218	235	248	259	245	263	278	290	278	300	316	330	317	341	360	376	357	384	405	423	394	424	448	467	
Lo PR	103	110	120	128	109	116	127	135	114	121	132	141	119	127	139	148	125	133	145	155	129	138	150	160	
MBh	54.1	55.7	60.3	64.7	52.8	54.4	58.9	63.2	51.6	53.1	57.5	61.7	50.3	51.8	56.1	60.2	47.8	49.2	53.3	57.2	44.3	45.6	49.3	52.9	
S/T	0.88	0.79	0.60	0.38	0.91	0.82	0.62	0.40	0.93	0.84	0.63	0.41	0.96	0.86	0.65	0.42	1.00	0.90	0.68	0.44	1.00	0.90	0.68	0.44	
ΔT	19	18	15	10	20	18	15	10	20	18	15	10	20	18	15	10	20	18	15	10	18	17	14	10	
kW	3.62	3.69	3.80	3.92	3.88	3.96	4.08	4.20	4.11	4.19	4.32	4.45	4.31	4.40	4.53	4.68	4.48	4.57	4.72	4.87	4.63	4.73	4.87	5.03	
Amps	13.6	13.9	14.3	14.8	14.6	15.0	15.5	16.0	15.9	16.3	16.8	17.4	17.0	17.4	17.9	18.6	18.0	18.5	19.1	19.8	19.1	19.6	20.2	21.0	
Hi PR	223	239	253	264	250	269	284	296	284	306	323	337	323	348	368	383	364	392	414	431	402	433	457	477	
Lo PR	106	112	123	131	111	119	129	138	116	123	135	143	122	129	141	151	128	136	148	158	132	140	153	163	

IDB: Entering Indoor Dry Bulb Temperature  
 High and low pressures are measured at the liquid and suction service valves.  
 Shaded area reflects ACCA (TVA) conditions  
 Amps = outdoor unit amps (comp.+fan)  
 kW = Total system power

GSX160601F\* / CA\*F4961\*6D\*+TXV (CONT.)

IDB	AIRFLOW	OUTDOOR AMBIENT TEMPERATURE												ENTERING INDOOR WET BULB TEMPERATURE											
		65°F				75°F				85°F				95°F				105°F				115°F			
		59	63	67	71	59	63	67	71	59	63	67	71	59	63	67	71	59	63	67	71	59	63	67	71
80	MBh	53.7	54.9	58.6	62.7	52.5	53.6	57.3	61.2	51.2	52.3	55.9	59.8	50.0	51.0	54.5	58.3	47.5	48.5	51.8	55.4	44.0	44.9	48.0	51.3
	S/T	0.93	0.87	0.71	0.53	0.96	0.90	0.73	0.55	0.98	0.92	0.75	0.56	1.00	0.95	0.78	0.58	1.00	0.99	0.80	0.60	1.00	1.00	0.81	0.61
	ΔT	26	25	22	17	26	25	22	18	26	26	22	18	26	26	22	18	25	25	22	17	23	24	20	16
	KW	3.61	3.68	3.78	3.90	3.86	3.94	4.06	4.18	4.09	4.17	4.30	4.43	4.29	4.38	4.51	4.65	4.46	4.55	4.69	4.84	4.60	4.70	4.85	5.00
	Amps	13.5	13.8	14.2	14.8	14.5	14.9	15.4	15.9	15.8	16.2	16.7	17.3	16.9	17.3	17.8	18.5	17.9	18.4	19.0	19.7	19.0	19.5	20.1	20.9
	Hi PR	221	238	251	262	248	267	282	294	282	304	321	334	321	346	365	381	361	389	411	428	399	430	454	473
	Lo PR	105	112	122	130	111	118	129	137	115	122	134	142	121	129	140	150	127	135	147	157	131	139	152	162
	MBh	53.2	54.3	58.1	62.1	51.9	53.1	56.7	60.6	50.7	51.8	55.4	59.2	49.5	50.5	54.0	57.7	47.0	48.0	51.3	54.8	43.5	44.5	47.5	50.8
	S/T	0.91	0.85	0.69	0.52	0.94	0.88	0.72	0.54	0.96	0.90	0.74	0.55	1.00	0.93	0.76	0.57	1.00	0.97	0.79	0.59	1.00	0.98	0.80	0.59
	ΔT	27	26	23	18	28	26	23	18	28	27	23	18	28	27	23	19	27	26	23	18	25	25	21	17
KW	3.60	3.67	3.77	3.89	3.85	3.93	4.05	4.17	4.08	4.16	4.29	4.42	4.28	4.37	4.50	4.64	4.45	4.54	4.68	4.83	4.59	4.69	4.84	4.99	
Amps	13.4	13.8	14.2	14.7	14.5	14.8	15.3	15.9	15.7	16.1	16.7	17.3	16.8	17.2	17.8	18.5	17.9	18.3	18.9	19.6	18.9	19.4	20.1	20.8	
Hi PR	220	237	250	261	247	266	281	293	281	303	320	333	320	345	364	380	360	388	410	427	398	428	452	472	
Lo PR	105	111	121	129	110	117	128	137	115	122	133	142	121	128	140	149	126	134	147	156	131	139	152	162	
MBh	55.0	56.2	60.1	64.2	53.8	54.9	58.7	62.7	52.5	53.6	57.3	61.2	51.2	52.3	55.9	59.7	48.6	49.7	53.1	56.8	45.1	46.0	49.2	52.6	
S/T	0.96	0.90	0.74	0.55	1.00	0.94	0.76	0.57	1.00	0.96	0.78	0.58	1.00	1.00	0.81	0.60	1.00	1.00	0.84	0.63	1.00	1.00	0.85	0.63	
ΔT	22	21	18	14	22	21	18	15	21	21	18	15	21	21	18	15	20	20	18	15	18	19	17	14	
KW	3.65	3.72	3.83	3.95	3.91	3.99	4.11	4.23	4.14	4.23	4.35	4.49	4.34	4.43	4.57	4.72	4.52	4.61	4.75	4.91	4.66	4.76	4.91	5.07	
Amps	13.7	14.0	14.4	15.0	14.8	15.1	15.6	16.2	16.0	16.4	17.0	17.6	17.1	17.5	18.1	18.8	18.2	18.7	19.3	20.0	19.3	19.8	20.4	21.2	
Hi PR	225	242	255	266	252	271	287	299	287	309	326	340	327	352	371	387	368	396	418	436	406	437	462	481	
Lo PR	107	113	124	132	113	120	131	139	117	125	136	145	123	131	143	152	129	137	150	159	133	142	155	165	

85	MBh	54.6	55.7	58.3	62.2	53.4	54.4	57.0	60.8	52.1	53.1	55.6	59.3	50.8	51.8	54.3	57.9	48.3	49.2	51.6	55.0	44.7	45.6	47.8	50.9
	S/T	0.97	0.94	0.85	0.69	1.00	0.97	0.88	0.71	1.00	1.00	0.90	0.73	1.00	1.00	0.93	0.75	1.00	1.00	0.96	0.78	1.00	1.00	0.97	0.79
	ΔT	28	27	26	22	28	28	26	23	27	28	26	23	27	27	26	23	25	26	26	23	23	24	24	21
	KW	3.63	3.70	3.81	3.93	3.89	3.97	4.09	4.21	4.12	4.20	4.33	4.47	4.32	4.41	4.55	4.69	4.49	4.59	4.73	4.88	4.64	4.74	4.89	5.04
	Amps	13.6	13.9	14.4	14.9	14.7	15.0	15.5	16.1	15.9	16.3	16.8	17.5	17.0	17.4	18.0	18.7	18.1	18.5	19.2	19.9	19.2	19.6	20.3	21.1
	Hi PR	223	240	254	265	251	270	285	297	285	307	324	338	324	349	369	385	365	393	415	433	403	434	458	478
	Lo PR	106	113	123	131	112	119	130	138	116	124	135	144	122	130	142	151	128	136	149	158	132	141	154	164
	MBh	54.1	55.1	57.8	61.6	52.8	53.9	56.4	60.2	51.6	52.6	55.1	58.8	50.3	51.3	53.7	57.3	47.8	48.7	51.0	54.5	44.3	45.1	47.3	50.4
	S/T	0.95	0.92	0.83	0.67	0.99	0.95	0.86	0.70	1.00	0.98	0.88	0.71	1.00	1.00	0.91	0.74	1.00	1.00	0.94	0.77	1.00	1.00	0.95	0.77
	ΔT	29	29	27	23	29	29	27	24	29	29	27	24	28	29	28	24	27	28	27	24	25	26	25	22
KW	3.62	3.70	3.80	3.92	3.88	3.96	4.08	4.20	4.11	4.19	4.32	4.46	4.31	4.40	4.54	4.68	4.48	4.57	4.72	4.87	4.63	4.73	4.87	5.03	
Amps	13.6	13.9	14.3	14.8	14.6	15.0	15.5	16.0	15.9	16.3	16.8	17.4	17.0	17.4	18.0	18.6	18.0	18.5	19.1	19.8	19.1	19.6	20.2	21.0	
Hi PR	223	240	253	264	250	269	284	296	284	306	323	337	324	348	368	383	364	392	414	431	402	433	457	477	
Lo PR	106	112	123	131	112	119	130	138	116	123	135	143	122	130	141	151	128	136	148	158	132	140	153	163	
MBh	56.0	57.1	59.8	63.8	54.7	55.8	58.4	62.3	53.4	54.4	57.0	60.8	52.1	53.1	55.6	59.3	49.5	50.4	52.8	56.4	45.8	46.7	48.9	52.2	
S/T	1.00	0.98	0.88	0.71	1.00	1.00	0.91	0.74	1.00	1.00	0.94	0.76	1.00	1.00	0.97	0.78	1.00	1.00	1.00	0.81	1.00	1.00	1.00	0.82	
ΔT	23	23	22	19	22	23	22	19	22	22	22	19	21	22	22	19	20	21	22	19	19	19	20	17	
KW	3.68	3.75	3.86	3.98	3.94	4.02	4.14	4.27	4.17	4.26	4.39	4.53	4.38	4.47	4.61	4.75	4.55	4.65	4.79	4.95	4.70	4.80	4.95	5.11	
Amps	13.8	14.1	14.6	15.1	14.9	15.3	15.8	16.3	16.2	16.6	17.1	17.7	17.3	17.7	18.3	19.0	18.4	18.8	19.5	20.2	19.5	19.9	20.6	21.4	
Hi PR	227	244	258	269	255	274	289	302	290	312	329	343	330	355	375	391	371	400	422	440	410	441	466	486	
Lo PR	108	115	125	133	114	121	132	141	118	126	137	146	124	132	144	154	130	138	151	161	135	143	156	167	

IDB: Entering Indoor Dry Bulb Temperature  
 High and low pressures are measured at the liquid and suction service valves.  
 Shaded area reflects AHRI conditions  
 Amps = outdoor unit amps (comp.+fan)  
 kW = Total system power

GSX160611F\* / CA\*F4961\*6D\* + EEP+TXV

IDB		OUTDOOR AMBIENT TEMPERATURE												ENTERING INDOOR WET BULB TEMPERATURE											
		65°F				75°F				85°F				95°F				105°F				115°F			
		59	63	67	71	59	63	67	71	59	63	67	71	59	63	67	71	59	63	67	71	59	63	67	71
<b>70</b>	MBh	54.2	56.2	61.6	66.0	53.0	54.9	60.1	64.4	51.7	53.6	58.7	62.9	50.4	52.3	57.3	61.4	47.9	49.7	54.4	58.3	44.4	46.0	50.4	54.0
	S/T	0.66	0.55	0.38	0.33	0.68	0.57	0.39	0.34	0.70	0.58	0.40	0.35	0.72	0.60	0.42	0.36	0.75	0.62	0.43	0.37	0.75	0.63	0.44	0.37
	ΔT	21	18	14	13	21	19	14	13	21	19	14	12	22	19	14	12	21	18	14	12	20	17	13	11
	kW	3.75	3.83	3.95	4.08	4.04	4.13	4.27	4.41	4.31	4.40	4.55	4.70	4.54	4.64	4.79	4.96	4.73	4.84	5.00	5.18	4.90	5.01	5.18	5.36
	Amps	13.4	13.8	14.3	14.8	14.6	15.0	15.5	16.2	16.0	16.4	17.0	17.7	17.2	17.6	18.3	19.0	18.4	18.8	19.5	20.3	19.5	20.0	20.8	21.6
	Hi PR	227	244	248	253	257	276	280	286	292	314	318	326	333	358	363	371	359	386	392	400	426	458	464	475
	Lo PR	113	116	127	135	116	120	131	139	120	124	135	144	123	127	139	148	126	130	141	151	129	133	145	154
	MBh	55.9	57.9	63.4	66.0	54.6	56.5	62.0	66.4	53.3	55.2	60.5	64.8	52.0	53.9	59.0	63.2	49.4	51.2	56.1	60.0	45.7	47.4	51.9	55.6
	S/T	0.69	0.58	0.40	0.34	0.71	0.60	0.41	0.35	0.73	0.61	0.42	0.36	0.76	0.63	0.44	0.37	0.78	0.66	0.45	0.39	0.79	0.66	0.46	0.39
	ΔT	20	18	13	12	20	18	13	12	20	18	13	12	21	18	14	12	20	18	13	12	19	16	12	11
	kW	3.78	3.86	3.99	4.12	4.08	4.17	4.31	4.45	4.34	4.44	4.59	4.74	4.57	4.68	4.83	5.00	4.77	4.88	5.05	5.22	4.94	5.06	5.23	5.41
	Amps	13.6	13.9	14.4	14.9	14.8	15.1	15.7	16.3	16.1	16.6	17.2	17.9	17.3	17.8	18.4	19.0	18.5	19.0	19.7	20.3	19.7	20.2	21.0	21.8
Hi PR	229	247	250	258	259	279	283	289	295	317	322	329	336	361	366	374	363	390	396	404	430	462	469	479	
Lo PR	114	117	128	135	117	121	132	139	121	125	136	145	124	128	140	149	127	131	143	152	130	134	146	154	
MBh	56.1	58.2	63.7	66.0	54.8	56.8	62.3	66.4	53.5	55.5	60.8	64.8	52.2	54.1	59.3	63.2	49.6	51.4	56.3	60.0	45.9	47.6	52.2	55.9	
S/T	0.70	0.58	0.40	0.34	0.72	0.60	0.42	0.36	0.74	0.62	0.43	0.37	0.77	0.64	0.44	0.37	0.80	0.66	0.46	0.39	0.80	0.67	0.46	0.39	
ΔT	18	16	12	11	18	16	12	11	18	16	12	11	18	16	12	11	18	16	12	11	17	15	11	10	
kW	3.81	3.89	4.02	4.15	4.11	4.20	4.34	4.48	4.38	4.48	4.63	4.78	4.61	4.72	4.88	5.05	4.81	4.92	5.09	5.26	4.98	5.10	5.27	5.46	
Amps	13.7	14.1	14.6	15.1	14.9	15.3	15.8	16.5	16.3	16.7	17.3	18.0	17.5	18.0	18.6	19.4	18.7	19.2	19.9	20.7	19.9	20.4	21.2	22.0	
Hi PR	232	249	253	258	262	282	286	292	298	320	325	332	339	365	370	378	366	394	400	408	434	467	474	484	
Lo PR	115	119	129	138	118	122	133	142	122	126	138	147	126	130	141	151	128	132	144	154	131	135	148	157	
<b>75</b>	MBh	55.1	56.8	61.5	66.0	53.9	55.5	60.0	64.4	52.6	54.1	58.6	62.9	51.3	52.8	57.2	61.4	48.7	50.2	54.3	58.3	45.1	46.5	50.3	54.0
	S/T	0.75	0.67	0.51	0.33	0.77	0.69	0.52	0.34	0.79	0.71	0.54	0.35	0.82	0.73	0.55	0.36	0.85	0.76	0.58	0.37	0.86	0.77	0.58	0.37
	ΔT	24	23	18	13	25	23	19	13	25	23	19	13	25	23	19	13	25	23	19	13	23	21	17	12
	kW	3.75	3.83	3.95	4.08	4.04	4.13	4.27	4.41	4.31	4.40	4.55	4.70	4.54	4.64	4.79	4.96	4.73	4.84	5.00	5.18	4.90	5.01	5.18	5.36
	Amps	13.4	13.8	14.3	14.8	14.6	15.0	15.5	16.2	16.0	16.4	17.0	17.7	17.2	17.6	18.3	19.0	18.4	18.8	19.5	20.3	19.5	20.0	20.8	21.6
	Hi PR	227	244	248	253	257	276	280	286	292	314	318	326	333	358	363	371	359	386	392	400	426	458	464	475
	Lo PR	113	116	127	135	116	120	131	139	120	124	135	144	123	127	139	148	126	130	141	151	129	133	145	154
	MBh	56.8	58.5	63.3	67.9	55.5	57.1	61.8	66.4	54.2	55.8	60.4	64.8	52.8	54.4	58.9	63.2	50.2	51.7	55.9	60.0	46.5	47.9	51.8	55.6
	S/T	0.78	0.70	0.53	0.34	0.81	0.73	0.55	0.35	0.83	0.74	0.56	0.36	0.86	0.77	0.58	0.37	0.89	0.80	0.60	0.39	0.90	0.80	0.61	0.39
	ΔT	23	22	18	12	24	22	18	12	24	22	18	12	24	22	18	12	24	22	18	12	22	20	17	11
	kW	3.78	3.86	3.99	4.12	4.08	4.17	4.31	4.45	4.34	4.44	4.59	4.74	4.57	4.68	4.83	5.00	4.77	4.88	5.05	5.22	4.94	5.06	5.23	5.41
	Amps	13.6	13.9	14.4	15.0	14.8	15.1	15.7	16.3	16.1	16.6	17.2	17.9	17.3	17.8	18.4	19.2	18.5	19.0	19.7	20.5	19.7	20.2	21.0	21.8
Hi PR	229	247	250	256	259	279	283	289	295	317	322	329	336	361	366	374	363	390	396	404	430	462	469	479	
Lo PR	114	117	128	137	117	121	132	141	121	125	136	145	124	128	140	149	127	131	143	152	130	134	146	156	
MBh	57.1	58.8	63.6	68.3	55.8	57.4	62.1	66.7	54.4	56.0	60.7	65.1	53.1	54.7	59.2	63.5	50.4	51.9	56.2	60.3	46.7	48.1	52.1	55.9	
S/T	0.79	0.71	0.54	0.35	0.82	0.74	0.56	0.36	0.84	0.75	0.57	0.37	0.87	0.78	0.59	0.38	0.90	0.81	0.61	0.39	0.91	0.82	0.62	0.40	
ΔT	21	19	16	11	21	19	16	11	21	19	16	11	21	20	16	11	21	19	16	11	20	18	15	10	
kW	3.81	3.89	4.02	4.15	4.11	4.20	4.34	4.49	4.38	4.48	4.63	4.78	4.61	4.72	4.88	5.04	4.81	4.92	5.09	5.26	4.98	5.10	5.27	5.46	
Amps	13.7	14.1	14.6	15.1	14.9	15.3	15.8	16.5	16.3	16.7	17.3	18.0	17.5	18.0	18.6	19.4	18.7	19.2	19.9	20.7	19.9	20.4	21.2	22.0	
Hi PR	232	249	253	258	262	282	286	292	298	320	325	332	339	365	370	378	366	394	400	408	434	467	474	484	
Lo PR	115	119	129	138	118	122	133	142	122	126	138	147	126	130	141	151	128	132	144	154	131	135	148	157	

IDB: Entering Indoor Dry Bulb Temperature  
 High and low pressures are measured at the liquid and suction service valves.  
 Shaded area reflects ACCA (TVA) conditions  
 Amps = outdoor unit amps (comp.+fan)  
 kW = Total system power

GSX160611F\* / CA\*F4961\*6D\* +EFP+TXV (CONT.)

IDB	AIRFLOW	OUTDOOR AMBIENT TEMPERATURE												ENTERING INDOOR WET BULB TEMPERATURE											
		65°F				75°F				85°F				95°F				105°F				115°F			
		59	63	67	71	59	63	67	71	59	63	67	71	59	63	67	71	59	63	67	71	59	63	67	71
80	MBh	56.1	57.4	61.3	65.5	54.8	56.0	59.9	64.0	53.5	54.7	58.4	62.5	52.2	53.4	57.0	60.9	49.6	50.7	54.2	57.9	45.9	46.9	50.2	53.6
	S/T	0.82	0.77	0.63	0.47	0.85	0.80	0.65	0.48	0.87	0.82	0.66	0.50	0.90	0.84	0.69	0.51	0.93	0.87	0.71	0.53	0.94	0.88	0.72	0.54
	ΔT	27	26	23	18	28	26	23	18	28	26	23	18	28	27	23	19	27	26	23	18	26	25	21	17
	kW	3.75	3.83	3.95	4.08	4.04	4.13	4.27	4.41	4.31	4.40	4.55	4.70	4.54	4.64	4.79	4.96	4.73	4.84	5.00	5.18	4.90	5.01	5.18	5.36
	Amps	13.4	13.8	14.3	14.8	14.6	15.0	15.5	16.2	16.0	16.4	17.0	17.7	17.2	17.6	18.3	19.0	18.4	18.8	19.5	20.3	19.5	20.0	20.8	21.6
	Hi PR	227	244	248	253	257	276	280	286	292	314	318	326	333	358	363	371	359	386	392	400	426	458	464	475
	Lo PR	113	116	127	135	116	120	131	139	120	124	135	144	123	127	139	148	126	130	141	151	129	133	145	154
	MBh	57.8	59.1	63.1	67.5	56.5	57.7	61.6	65.9	55.1	56.3	60.2	64.3	53.8	55.0	58.7	62.8	51.1	52.2	55.8	59.6	47.3	48.4	51.7	55.2
	S/T	0.86	0.81	0.66	0.49	0.89	0.84	0.68	0.51	0.91	0.86	0.70	0.52	0.94	0.88	0.72	0.54	1.00	0.92	0.75	0.56	1.00	0.93	0.75	0.56
	ΔT	26	25	22	17	26	25	22	18	26	25	22	18	27	26	22	18	27	25	22	17	25	24	20	16
kW	3.78	3.86	3.99	4.12	4.08	4.17	4.31	4.45	4.34	4.44	4.59	4.74	4.57	4.68	4.83	5.00	4.77	4.88	5.05	5.22	4.94	5.06	5.23	5.41	
Amps	13.6	13.9	14.4	15.0	14.8	15.1	15.7	16.3	16.1	16.6	17.2	17.9	17.3	17.8	18.4	19.2	18.5	19.0	19.7	20.5	19.7	20.2	21.0	21.8	
Hi PR	229	247	250	256	259	279	283	289	295	317	322	329	336	361	366	374	363	390	396	404	430	462	469	479	
Lo PR	114	117	128	137	117	121	132	141	121	125	136	145	124	128	140	149	127	131	143	152	130	134	146	156	
MBh	58.1	59.4	63.4	67.8	56.7	58.0	61.9	66.2	55.4	56.6	60.5	64.6	54.0	55.2	59.0	63.1	51.3	52.5	56.0	59.9	47.6	48.6	51.9	55.5	
S/T	0.87	0.82	0.66	0.50	0.90	0.85	0.69	0.51	0.93	0.87	0.71	0.53	0.96	0.90	0.73	0.55	1.00	0.93	0.76	0.57	1.00	0.94	0.76	0.57	
ΔT	23	22	19	15	24	23	20	16	24	23	20	16	24	23	20	16	24	22	19	16	22	21	18	15	
kW	3.81	3.89	4.02	4.15	4.11	4.20	4.34	4.49	4.38	4.48	4.63	4.78	4.61	4.72	4.88	5.04	4.81	4.92	5.09	5.26	4.98	5.10	5.27	5.46	
Amps	13.7	14.1	14.6	15.1	14.9	15.3	15.8	16.5	16.3	16.7	17.3	18.0	17.5	18.0	18.6	19.4	18.7	19.2	19.9	20.7	19.9	20.4	21.2	22.0	
Hi PR	232	249	253	258	262	282	286	292	298	320	325	332	339	365	370	378	366	394	400	408	434	467	474	484	
Lo PR	115	119	129	138	118	122	133	142	122	126	138	147	126	130	141	151	128	132	144	154	131	135	148	157	

85	MBh	57.1	58.2	61.0	65.0	55.8	56.9	59.6	63.5	54.5	55.5	58.1	62.0	53.1	54.2	56.7	60.5	50.5	51.4	53.9	57.5	46.7	47.7	49.9	53.2
	S/T	0.86	0.83	0.75	0.61	0.89	0.86	0.78	0.63	0.91	0.88	0.80	0.65	0.94	0.91	0.82	0.67	0.98	0.94	0.85	0.69	0.99	0.95	0.86	0.70
	ΔT	29	29	27	23	29	29	27	24	29	29	27	24	30	29	28	24	29	29	27	24	27	27	25	22
	kW	3.75	3.83	3.95	4.08	4.04	4.13	4.27	4.41	4.31	4.40	4.55	4.70	4.54	4.64	4.79	4.96	4.73	4.84	5.00	5.18	4.90	5.01	5.18	5.36
	Amps	13.4	13.8	14.3	14.8	14.6	15.0	15.5	16.2	16.0	16.4	17.0	17.7	17.2	17.6	18.3	19.0	18.4	18.8	19.5	20.3	19.5	20.0	20.8	21.6
	Hi PR	227	244	248	253	257	276	280	286	292	314	318	326	333	358	363	371	359	386	392	400	426	458	464	475
	Lo PR	113	116	127	135	116	120	131	139	120	124	135	144	123	127	139	148	126	130	141	151	129	133	145	154
	MBh	58.8	60.0	62.8	67.0	57.5	58.6	61.3	65.4	56.1	57.2	59.9	63.9	54.7	55.8	58.4	62.3	52.0	53.0	55.5	59.2	48.2	49.1	51.4	54.8
	S/T	0.90	0.87	0.78	0.64	0.93	0.90	0.81	0.66	0.96	0.92	0.83	0.68	0.99	0.95	0.86	0.70	1.00	0.99	0.89	0.72	1.00	1.00	0.90	0.73
	ΔT	28	27	26	22	28	28	26	23	28	28	26	23	28	28	26	23	27	28	26	23	25	26	24	21
kW	3.78	3.86	3.99	4.12	4.08	4.17	4.31	4.45	4.34	4.44	4.59	4.74	4.57	4.68	4.83	5.00	4.77	4.88	5.05	5.22	4.94	5.06	5.23	5.41	
Amps	13.6	13.9	14.4	15.0	14.8	15.1	15.7	16.3	16.1	16.6	17.2	17.9	17.3	17.8	18.4	19.2	18.5	19.0	19.7	20.5	19.7	20.2	21.0	21.8	
Hi PR	229	247	250	256	259	279	283	289	295	317	322	329	336	361	366	374	363	390	396	404	430	462	469	479	
Lo PR	114	117	128	137	117	121	132	141	121	125	136	145	124	128	140	149	127	131	143	152	130	134	146	156	
MBh	59.1	60.3	63.1	67.3	57.7	58.8	61.6	65.8	56.4	57.4	60.2	64.2	55.0	56.0	58.7	62.6	52.2	53.2	55.8	59.5	48.4	49.3	51.7	55.1	
S/T	0.91	0.88	0.80	0.65	0.95	0.91	0.82	0.67	0.97	0.94	0.84	0.69	1.00	0.97	0.87	0.71	1.00	1.00	0.91	0.73	1.00	1.00	0.91	0.74	
ΔT	25	24	23	20	25	25	23	20	25	25	23	20	25	25	24	20	24	24	23	20	22	23	22	19	
kW	3.81	3.89	4.02	4.15	4.11	4.20	4.34	4.49	4.38	4.48	4.63	4.78	4.61	4.72	4.88	5.04	4.81	4.92	5.09	5.26	4.98	5.10	5.27	5.46	
Amps	13.7	14.1	14.6	15.1	14.9	15.3	15.8	16.5	16.3	16.7	17.3	18.0	17.5	18.0	18.6	19.4	18.7	19.2	19.9	20.7	19.9	20.4	21.2	22.0	
Hi PR	232	249	253	258	262	282	286	292	298	320	325	332	339	365	370	378	366	394	400	408	434	467	474	484	
Lo PR	115	119	129	138	118	122	133	142	122	126	138	147	126	130	141	151	128	132	144	154	131	135	148	157	

IDB: Entering Indoor Dry Bulb Temperature  
 High and low pressures are measured at the liquid and suction service valves.  
 Shaded area reflects AHRI conditions  
 Amps = outdoor unit amps (comp.+fan)  
 kW = Total system power

OUTDOOR UNIT	INDOOR UNITS		COOLING RATINGS				CFM	AHRI #
	COILS/AIR HANDLERS	FURNACES	TOTAL <sup>1</sup>	SENS. <sup>1</sup>	SEER <sup>2</sup>	EER <sup>3</sup>		
GSX16 0181F*	ACNF18XX16D*		17,200	12,700	14.00	12.00	600	6107302
	ACNF24XX16D*		17,600	13,000	14.00	12.00	650	6107303
	ARPT24B14A*		17,600	13,000	14.00	12.00	600	5983391
	ASPT24B14A*		17,600	13,000	16.00	13.00	600	5756171
	ASPT30C14A*		18,000	13,300	16.00	13.00	580	5983392
	ASUF29B14A*		17,000	12,600	15.00	12.50	600	5986671
	ASUF29B14A*+TXV		17,000	12,600	16.00	13.00	600	5983393
	AVPTC24B14A*		17,600	13,000	16.00	13.00	530	5924353
	AWUF31XX16A*		17,600	13,000	15.00	12.50	600	5753205
	AWUF31XX16A*+TXV		17,600	13,000	15.00	12.50	600	5753075
	AWUF32XX16A*		17,600	13,000	15.00	12.50	640	5753206
	AWUF32XX16A*+TXV		17,600	13,000	15.00	12.50	640	5753076
	CA*F3131*6D*	A*VM960603BXB*	17,600	13,000	14.50	12.00	650	5987130
	CA*F3131*6D*	G*VC950453BXB*	17,600	13,000	14.50	12.00	600	5986646
	CA*F3131*6D*	AMEH960603BXA*	17,600	13,000	14.50	12.00	600	6945024
	CA*F3131*6D*	G*E80603B*B*	17,600	13,000	14.50	12.00	620	5986642
	CA*F3131*6D*	G*VC950714CXB*	17,600	13,000	15.50	12.50	650	5986656
	CA*F3131*6D*	AMEH960403BXA*	17,600	13,000	14.50	12.00	600	6945023
	CA*F3131*6D*	GME950403BXA*	17,600	13,000	14.50	12.00	600	5986663
	CA*F3131*6D*	A*EH800603B*A*	17,600	13,000	14.50	12.00	620	6945022
	CA*F3131*6D*	A*VC950714CXB*	17,600	13,000	15.50	12.50	650	5987128
	CA*F3131*6D*	G*VM960603BXB*	17,600	13,000	14.50	12.00	650	5986658
	CA*F3131*6D*	A*VC950453BXB*	17,600	13,000	14.50	12.00	600	5987118
	CA*F3131*6D*	G*VC950704CXB*	17,600	13,000	14.50	12.00	630	5986651
	CA*F3131*6D*	A*VC950704CXB*	17,600	13,000	14.50	12.00	630	5987123
	CA*F3131*6D*	GME950603BXA*	17,600	13,000	14.50	12.00	600	5986667
	CA*F3131*6D*+EEP+TXV		17,600	13,000	14.00	12.00	650	5983335
	CA*F3131*6D*+MBVC1200**-1A*		17,600	13,000	14.50	12.00	615	5986632
	CA*F3131*6D*+MBVC1200**-1A*+TXV		17,600	13,000	15.00	12.50	615	5983336
	CA*F3131*6D*+TXV	A*VC80604B*B*	17,600	13,000	15.00	12.50	620	5984031
	CA*F3131*6D*+TXV	G*VC950704CXB*	17,600	13,000	15.00	12.50	630	5983359
	CA*F3131*6D*+TXV	G*VC950714CXB*	17,600	13,000	15.00	12.50	650	5983366
	CA*F3131*6D*+TXV	G*VM960604CXB*	17,600	13,000	15.00	12.50	650	5983376
	CA*F3131*6D*+TXV	GME950403BXA*	17,600	13,000	15.00	12.50	600	5983381
	CA*F3131*6D*+TXV	A*VC950704CXB*	17,600	13,000	15.00	12.50	630	5983841
	CA*F3131*6D*+TXV	G*VC950453BXB*	17,600	13,000	15.00	12.50	600	5983352
	CA*F3131*6D*+TXV	G*E80603B*B*	17,600	13,000	15.00	12.50	620	5983346
	CA*F3131*6D*+TXV	A*VC950453BXB*	17,600	13,000	15.00	12.50	600	5983834
	CA*F3131*6D*+TXV	A*VC950714CXB*	17,600	13,000	15.00	12.50	650	5983848
	CA*F3131*6D*+TXV	GME950603BXA*	17,600	13,000	15.00	12.50	600	5983385
	CA*F3131*6D*+TXV	A*EH800603B*A*	17,600	13,000	15.00	12.50	620	6945025
	CA*F3131*6D*+TXV	AMEH960403BXA*	17,600	13,000	15.00	12.50	600	6945026
	CA*F3131*6D*+TXV	A*VM960604CXB*	17,600	13,000	15.00	12.50	650	5983858
	CA*F3131*6D*+TXV	AMEH960603BXA*	17,600	13,000	15.00	12.50	600	6945027
	CA*F3131*6D*+TXV	G*VC80604B*B*	17,600	13,000	15.00	12.50	620	5983349
	CA*F3131*6D*+TXV	G*VM960603BXB*	17,600	13,000	15.00	12.50	650	5983370
	CA*F3131*6D*+TXV	A*VM960603BXB*	17,600	13,000	15.00	12.50	650	5983852
CA*F3636*6D*	G*VC950714CXB*	18,000	13,300	15.50	12.50	650	5986657	
CA*F3636*6D*	A*VC950704CXB*	18,000	13,300	15.00	12.50	630	5987124	
CA*F3636*6D*	GME950603BXA*	18,000	13,300	14.50	12.00	600	5986668	
CA*F3636*6D*	G*EC960603BNA*	17,400	12,900	15.00	12.50	550	7365745	
CA*F3636*6D*	A*EC960302BNA*	18,000	13,300	15.00	12.50	600	7365895	
CA*F3636*6D*	A*VC950714CXB*	18,000	13,300	15.50	12.50	650	5987129	
CA*F3636*6D*	A*VM970603BNA*	18,000	13,300	15.00	12.50	625	7355585	
CA*F3636*6D*	G*VC960603BNA*	18,000	13,300	15.00	12.50	625	7355088	
CA*F3636*6D*	AMEH960403BXA*	18,000	13,300	15.50	12.50	600	6945029	

See Notes on Page 85.

OUTDOOR UNIT	INDOOR UNITS		COOLING RATINGS				CFM	AHRI #
	COILS/AIR HANDLERS	FURNACES	TOTAL <sup>1</sup>	SENS. <sup>1</sup>	SEER <sup>2</sup>	EER <sup>3</sup>		
GSX16 0181F* (cont.)	CA*F3636*6D*	G*VC960403BNA*	18,000	13,300	15.00	12.50	625	7355078
	CA*F3636*6D*	G*VC950704CXB*	18,000	13,300	15.00	12.50	630	5986652
	CA*F3636*6D*	G*EC960803BNA*	17,400	12,900	15.00	12.50	550	7365752
	CA*F3636*6D*	G*VC960803BNA*	18,000	13,300	15.00	12.50	625	7355098
	CA*F3636*6D*	A*EC960803BNA*	17,400	12,900	15.00	12.50	550	7365916
	CA*F3636*6D*	A*EC960603BNA*	17,400	12,900	15.00	12.50	550	7365909
	CA*F3636*6D*	G*EC960302BNA*	18,000	13,300	15.00	12.50	600	7365731
	CA*F3636*6D*	A*EC960402BNA*	18,000	13,300	15.00	12.50	600	7365902
	CA*F3636*6D*	G*EC960402BNA*	18,000	13,300	15.00	12.50	600	7365738
	CA*F3636*6D*	ADVC80603B*B*	18,000	13,300	15.50	12.50	620	5986662
	CA*F3636*6D*	G*VC950453BXB*	18,000	13,300	15.00	12.50	600	5986647
	CA*F3636*6D*	G*VM960603BXB*	18,000	13,300	15.20	12.50	650	5986659
	CA*F3636*6D*	G*VM970603BNA*	18,000	13,300	15.00	12.50	625	7355258
	CA*F3636*6D*	G*E80603B*B*	18,000	13,300	15.50	12.50	620	5986643
	CA*F3636*6D*	A*VC960403BNA*	18,000	13,300	15.00	12.50	625	7355405
	CA*F3636*6D*	A*VC960803BNA*	18,000	13,300	15.00	12.50	625	7355425
	CA*F3636*6D*	AMEH960603BXA*	18,000	13,300	14.50	12.00	600	6945030
	CA*F3636*6D*	A*VC960603BNA*	18,000	13,300	15.00	12.50	625	7355415
	CA*F3636*6D*	A*EH800603B*A*	18,000	13,300	15.50	12.50	620	6945028
	CA*F3636*6D*	A*VC950453BXB*	18,000	13,300	15.00	12.50	600	5987119
	CA*F3636*6D*	A*VM960603BXB*	18,000	13,300	15.20	12.50	650	5987131
	CA*F3636*6D*	GME950403BXA*	18,000	13,300	15.50	12.50	600	5986664
	CA*F3636*6D*	A*VM970803BNA*	18,000	13,300	15.00	12.50	625	7355595
	CA*F3636*6D*	G*VM970803BNA*	18,000	13,300	15.00	12.50	625	7355268
	CA*F3636*6D*+EEP		18,000	13,300	14.00	12.00	650	5986633
	CA*F3636*6D*+EEP+TXV		18,000	13,300	14.50	12.00	650	5753012
	CA*F3636*6D*+MBVC1200**-1A*		18,000	13,300	15.50	12.50	615	5986634
	CA*F3636*6D*+MBVC1200**-1A*+TXV		18,000	13,300	16.00	13.00	615	5983337
	CA*F3636*6D*+TXV	G*VC960403BNA*	18,000	13,300	16.00	13.00	625	7355077
	CA*F3636*6D*+TXV	G*VM970803BNA*	18,000	13,300	16.00	13.00	625	7355267
	CA*F3636*6D*+TXV	G*VC950714CXB*	18,000	13,300	16.00	13.00	650	5983367
	CA*F3636*6D*+TXV	A*EH800603B*A*	18,000	13,300	16.00	13.00	600	6945031
	CA*F3636*6D*+TXV	A*VC950453BXB*	18,000	13,300	15.50	12.50	600	5983835
	CA*F3636*6D*+TXV	A*VC960803BNA*	18,000	13,300	16.00	13.00	625	7355424
	CA*F3636*6D*+TXV	A*VM970603BNA*	18,000	13,300	16.00	13.00	625	7355584
	CA*F3636*6D*+TXV	GME950403BXA*	18,000	13,300	16.00	13.00	575	5753018
	CA*F3636*6D*+TXV	A*EC960402BNA*	18,000	13,300	16.00	13.00	600	7365903
	CA*F3636*6D*+TXV	G*VC950704CXB*	18,000	13,300	15.50	12.50	630	5983360
	CA*F3636*6D*+TXV	G*EC960302BNA*	18,000	13,300	16.00	13.00	600	7365732
	CA*F3636*6D*+TXV	A*VM970803BNA*	18,000	13,300	16.00	13.00	625	7355594
	CA*F3636*6D*+TXV	A*VC960603BNA*	18,000	13,300	16.00	13.00	625	7355414
	CA*F3636*6D*+TXV	G*VM960603BXB*	18,000	13,300	15.50	12.50	650	5983371
	CA*F3636*6D*+TXV	GME950603BXA*	18,000	13,300	16.00	13.00	600	5983386
	CA*F3636*6D*+TXV	A*EC960302BNA*	18,000	13,300	16.00	13.00	600	7365896
	CA*F3636*6D*+TXV	ADVC80603B*B*	18,000	13,300	16.00	13.00	620	5983380
	CA*F3636*6D*+TXV	G*VM970603BNA*	18,000	13,300	16.00	13.00	625	7355257
	CA*F3636*6D*+TXV	G*VC960603BNA*	18,000	13,300	16.00	13.00	625	7355087
CA*F3636*6D*+TXV	A*VC950704CXB*	18,000	13,300	15.50	12.50	630	5983842	
CA*F3636*6D*+TXV	A*VM960603BXB*	18,000	13,300	15.50	12.50	650	5983853	
CA*F3636*6D*+TXV	A*EC960603BNA*	17,400	12,900	16.00	13.00	550	7365910	
CA*F3636*6D*+TXV	G*EC960603BNA*	17,400	12,900	16.00	13.00	550	7365746	
CA*F3636*6D*+TXV	A*VC80604B*B*	18,000	13,300	16.00	13.00	600	6107838	
CA*F3636*6D*+TXV	A*VC960403BNA*	18,000	13,300	16.00	13.00	625	7355404	
CA*F3636*6D*+TXV	G*VC950453BXB*	18,000	13,300	15.50	12.50	600	5983353	
CA*F3636*6D*+TXV	A*EC960803BNA*	17,400	12,900	16.00	13.00	550	7365917	
CA*F3636*6D*+TXV	G*EC960803BNA*	17,400	12,900	16.00	13.00	550	7365753	

See Notes on Page 85.

OUTDOOR UNIT	INDOOR UNITS		COOLING RATINGS				CFM	AHRI #
	COILS/AIR HANDLERS	FURNACES	TOTAL <sup>1</sup>	SENS. <sup>1</sup>	SEER <sup>2</sup>	EER <sup>3</sup>		
GSX16 0181F* (cont.)	CA*F3636*6D*+TXV	A*VC950714CXB*	18,000	13,300	16.00	13.00	650	5983849
	CA*F3636*6D*+TXV	AMEH960403BXA*	18,000	13,300	16.00	13.00	575	6945032
	CA*F3636*6D*+TXV	AMEH960603BXA*	18,000	13,300	16.00	13.00	600	6945033
	CA*F3636*6D*+TXV	G*EC960402BNA*	18,000	13,300	16.00	13.00	600	7365739
	CA*F3636*6D*+TXV	G*E80603B*B*	18,000	13,300	16.00	13.00	600	5753016
	CA*F3636*6D*+TXV	G*VC80604B*B*	18,000	13,300	16.00	13.00	600	6107842
	CA*F3636*6D*+TXV	G*VC960803BNA*	18,000	13,300	16.00	13.00	625	7355097
	CA*F3743*6D*	G*EC960803BNA*	17,400	12,900	15.00	12.50	550	7365754
	CA*F3743*6D*	G*EC960302BNA*	18,000	13,300	15.00	12.50	600	7365733
	CA*F3743*6D*	G*VC960603BNA*	18,400	13,600	15.50	12.50	625	7355090
	CA*F3743*6D*	A*VM970603BNA*	18,400	13,600	15.50	12.50	625	7355587
	CA*F3743*6D*	G*VM970803BNA*	18,400	13,600	15.50	12.50	625	7355270
	CA*F3743*6D*	A*VC960603BNA*	18,400	13,600	15.50	12.50	625	7355417
	CA*F3743*6D*	A*EC960302BNA*	18,000	13,300	15.00	12.50	600	7365897
	CA*F3743*6D*	A*EC960603BNA*	17,400	12,900	15.00	12.50	550	7365911
	CA*F3743*6D*	A*EC960402BNA*	18,000	13,300	15.00	12.50	600	7365904
	CA*F3743*6D*	G*VC960803BNA*	18,400	13,600	15.50	12.50	625	7355100
	CA*F3743*6D*	A*EC960803BNA*	17,400	12,900	15.00	12.50	550	7365918
	CA*F3743*6D*	G*VC960403BNA*	18,400	13,600	15.50	12.50	625	7355080
	CA*F3743*6D*	G*EC960402BNA*	18,000	13,300	15.00	12.50	600	7365740
	CA*F3743*6D*	A*VM970803BNA*	18,400	13,600	15.50	12.50	625	7355597
	CA*F3743*6D*	G*EC960603BNA*	17,400	12,900	15.00	12.50	550	7365747
	CA*F3743*6D*	A*VC960803BNA*	18,400	13,600	15.50	12.50	625	7355427
	CA*F3743*6D*	G*VM970603BNA*	18,400	13,600	15.50	12.50	625	7355260
	CA*F3743*6D*	A*VC960403BNA*	18,400	13,600	15.50	12.50	625	7355407
	CA*F3743*6D*+EEP+TXV		18,400	13,600	15.00	12.50	600	5753013
	CA*F3743*6D*+TXV	G*VC960403BNA*	18,400	13,600	16.00	13.00	625	7355079
	CA*F3743*6D*+TXV	G*EC960402BNA*	18,000	13,300	16.00	13.00	600	7365741
	CA*F3743*6D*+TXV	A*VC960603BNA*	18,400	13,600	16.00	13.00	625	7355416
	CA*F3743*6D*+TXV	G*EC960803BNA*	17,400	12,900	16.00	13.00	550	7365755
	CA*F3743*6D*+TXV	A*VM960603BXB*	18,000	13,300	16.00	13.00	650	5983854
	CA*F3743*6D*+TXV	G*VM970803BNA*	18,400	13,600	16.00	13.00	625	7355269
	CA*F3743*6D*+TXV	G*VC960803BNA*	18,400	13,600	16.00	13.00	625	7355099
	CA*F3743*6D*+TXV	G*VM970603BNA*	18,400	13,600	16.00	13.00	625	7355259
	CA*F3743*6D*+TXV	G*VM960604CXB*	18,000	13,300	16.00	13.00	650	5983377
	CA*F3743*6D*+TXV	A*VC950453BXB*	18,000	13,300	16.00	13.00	600	5983836
	CA*F3743*6D*+TXV	G*VM960603BXB*	18,000	13,300	16.00	13.00	650	5983372
	CA*F3743*6D*+TXV	GME950403BXA*	18,000	13,300	16.00	13.00	600	5983382
	CA*F3743*6D*+TXV	G*VC950714CXB*	18,000	13,300	16.00	13.00	650	5983368
	CA*F3743*6D*+TXV	A*VC960403BNA*	18,400	13,600	16.00	13.00	625	7355406
	CA*F3743*6D*+TXV	G*VC950453BXB*	18,000	13,300	16.00	13.00	600	5983354
	CA*F3743*6D*+TXV	A*VM970803BNA*	18,400	13,600	16.00	13.00	625	7355596
	CA*F3743*6D*+TXV	G*VC960603BNA*	18,400	13,600	16.00	13.00	625	7355089
	CA*F3743*6D*+TXV	A*EC960402BNA*	18,000	13,300	16.00	13.00	600	7365905
	CA*F3743*6D*+TXV	G*VC950704CXB*	18,000	13,300	16.00	13.00	630	5983361
	CA*F3743*6D*+TXV	A*EC960302BNA*	18,000	13,300	16.00	13.00	600	7365898
CA*F3743*6D*+TXV	AMEH960603BXA*	18,000	13,300	16.00	13.00	600	6945035	
CA*F3743*6D*+TXV	G*EC960603BNA*	17,400	12,900	16.00	13.00	550	7365748	
CA*F3743*6D*+TXV	A*EC960603BNA*	17,400	12,900	16.00	13.00	550	7365912	
CA*F3743*6D*+TXV	A*VC960803BNA*	18,400	13,600	16.00	13.00	625	7355426	
CA*F3743*6D*+TXV	GME950603BXA*	18,000	13,300	16.00	13.00	600	5983387	
CA*F3743*6D*+TXV	A*VM970603BNA*	18,400	13,600	16.00	13.00	625	7355586	
CA*F3743*6D*+TXV	G*EC960302BNA*	18,000	13,300	16.00	13.00	600	7365734	
CA*F3743*6D*+TXV	AMEH960403BXA*	18,000	13,300	16.00	13.00	600	6945034	

See Notes on Page 85.

OUTDOOR UNIT	INDOOR UNITS		COOLING RATINGS				CFM	AHRI #	
	COILS/AIR HANDLERS	FURNACES	TOTAL <sup>1</sup>	SENS. <sup>1</sup>	SEER <sup>2</sup>	EER <sup>3</sup>			
GSX16 0181F* (cont.)	CA*F3743*6D*+TXV	A*EC960803BNA*	17,400	12,900	16.00	13.00	550	7365919	
	CA*F3743*6D*+TXV	A*VC950704CXB*	18,000	13,300	16.00	13.00	630	5983843	
	CA*F3743*6D*+TXV	A*VC950714CXB*	18,000	13,300	16.00	13.00	650	5983850	
	CA*F3743*6D*+TXV	A*VM960604CXB*	18,000	13,300	16.00	13.00	650	5983859	
	CAPT3131*4A*	G*VC80604B*B*	17,600	13,000	15.00	12.50	620	5983350	
	CAPT3131*4A*	A*VC80604B*B*	17,600	13,000	15.00	12.50	620	5984032	
	CAPT3131*4A*	G*VC960403BNA*	17,600	13,000	15.00	12.00	625	7355081	
	CAPT3131*4A*	A*VC960403BNA*	17,600	13,000	15.00	12.00	625	7355408	
	CAPT3131*4A*	G*VM970603BNA*	17,600	13,000	15.00	12.00	625	7355261	
	CAPT3131*4A*	G*EC960603BNA*	17,000	12,600	15.00	12.50	550	7365744	
	CAPT3131*4A*	A*VM960603BXB*	17,600	13,000	15.00	12.50	650	5983855	
	CAPT3131*4A*	A*VC950453BXB*	17,600	13,000	15.00	12.50	600	5983837	
	CAPT3131*4A*	A*VC950714CXB*	17,600	13,000	15.00	12.50	650	5983851	
	CAPT3131*4A*	G*VM970803BNA*	17,600	13,000	15.00	12.00	625	7355271	
	CAPT3131*4A*	A*EH800603B*A*	17,600	13,000	15.00	12.50	620	6945036	
	CAPT3131*4A*	AMEH960403BXA*	17,600	13,000	15.00	12.50	600	6945037	
	CAPT3131*4A*	A*EC960302BNA*	17,600	13,000	15.00	12.50	600	7365894	
	CAPT3131*4A*	A*VM970803BNA*	17,600	13,000	15.00	12.00	625	7355598	
	CAPT3131*4A*	A*EC960603BNA*	17,000	12,600	15.00	12.50	550	7365908	
	CAPT3131*4A*	GME950403BXA*	17,600	13,000	15.00	12.50	600	5983383	
	CAPT3131*4A*	G*VC960803BNA*	17,600	13,000	15.00	12.00	625	7355101	
	CAPT3131*4A*	G*EC960803BNA*	17,000	12,600	15.00	12.50	550	7365751	
	CAPT3131*4A*	A*VC960603BNA*	17,600	13,000	15.00	12.00	625	7355418	
	CAPT3131*4A*	G*E80603B*B*	17,600	13,000	15.00	12.50	620	5983347	
	CAPT3131*4A*	G*EC960302BNA*	17,600	13,000	15.00	12.50	600	7365730	
	CAPT3131*4A*	AMEH960603BXA*	17,600	13,000	15.00	12.50	600	6945038	
	CAPT3131*4A*	A*VC960803BNA*	17,600	13,000	15.00	12.00	625	7355428	
	CAPT3131*4A*	G*EC960402BNA*	17,600	13,000	15.00	12.50	600	7365737	
	CAPT3131*4A*	G*VM960604CXB*	17,600	13,000	15.00	12.50	650	5983378	
	CAPT3131*4A*	A*EC960803BNA*	17,000	12,600	15.00	12.50	550	7365915	
	CAPT3131*4A*	GME950603BXA*	17,600	13,000	15.00	12.50	600	5983388	
	CAPT3131*4A*	G*VC950714CXB*	17,600	13,000	15.00	12.50	650	5983369	
	CAPT3131*4A*	A*EC960402BNA*	17,600	13,000	15.00	12.50	600	7365901	
	CAPT3131*4A*	G*VC960603BNA*	17,600	13,000	15.00	12.00	625	7355091	
	CAPT3131*4A*	G*VC950453BXB*	17,600	13,000	15.00	12.50	600	5983355	
	CAPT3131*4A*	A*VM970603BNA*	17,600	13,000	15.00	12.00	625	7355588	
	CAPT3131*4A*	A*VM960604CXB*	17,600	13,000	15.00	12.50	650	5983860	
	CAPT3131*4A*	A*VC950704CXB*	17,600	13,000	15.00	12.50	630	5983844	
	CAPT3131*4A*	G*VC950704CXB*	17,600	13,000	15.00	12.50	630	5983362	
	CAPT3131*4A*	ADVC80603B*B*	17,600	13,000	15.20	12.50	625	6345879	
	CAPT3131*4A*	G*VM960603BXB*	17,600	13,000	15.00	12.50	650	5983373	
	CAPT3131*4A*+EEP			17,600	13,000	14.00	12.00	650	5983338
	CAPT3131*4A*+MBVC1200** -1A*			17,600	13,000	15.00	12.50	615	5983339
	CAPT3743*4A*+EEP			18,000	13,300	15.00	12.50	650	5983340
	CHPF2430B6C*	A*EH800603B*A*		17,600	13,000	14.50	12.00	620	6945039
	CHPF2430B6C*	G*VC950704CXB*		17,400	12,900	14.50	12.00	630	5986653
	CHPF2430B6C*	G*E80603B*B*		17,600	13,000	14.50	12.00	620	5986644
CHPF2430B6C*	AMEH960603BXA*		17,600	13,000	14.50	12.00	600	6945041	
CHPF2430B6C*	G*VC950453BXB*		17,600	13,000	14.50	12.00	600	5986648	
CHPF2430B6C*	G*VM960603BXB*		17,400	12,900	14.50	12.00	650	5986660	
CHPF2430B6C*	A*VC950453BXB*		17,600	13,000	14.50	12.00	600	5987120	
CHPF2430B6C*	A*VC950704CXB*		17,400	12,900	14.50	12.00	630	5987125	
CHPF2430B6C*	GME950603BXA*		17,600	13,000	14.50	12.00	600	5986669	
CHPF2430B6C*	A*VM960603BXB*		17,400	12,900	14.50	12.00	650	5987132	

See Notes on Page 85.

OUTDOOR UNIT	INDOOR UNITS		COOLING RATINGS				CFM	AHRI #
	COILS/AIR HANDLERS	FURNACES	TOTAL <sup>1</sup>	SENS. <sup>1</sup>	SEER <sup>2</sup>	EER <sup>3</sup>		
GSX16 0181F* (cont.)	CHPF2430B6C*	AMEH960403BXA*	17,600	13,000	14.50	12.00	600	6945040
	CHPF2430B6C*	GME950403BXA*	17,600	13,000	14.50	12.00	600	5986665
	CHPF2430B6C*+EEP		17,600	13,000	13.50	11.50	650	5986635
	CHPF2430B6C*+EEP+TXV		17,600	13,000	14.00	12.00	650	5983341
	CHPF2430B6C*+MBVC1200** -1A*		17,600	13,000	14.50	12.00	615	5986636
	CHPF2430B6C*+MBVC1200** -1A*+TXV		17,600	13,000	15.00	12.50	615	5983342
	CHPF2430B6C*+TXV	AMEH960403BXA*	17,600	13,000	15.00	12.50	600	6945043
	CHPF2430B6C*+TXV	G*VC950453BxB*	17,600	13,000	15.00	12.50	600	5983356
	CHPF2430B6C*+TXV	A*VC950704CXB*	17,600	13,000	15.00	12.50	630	5983845
	CHPF2430B6C*+TXV	G*E80603B*B*	17,600	13,000	15.00	12.50	620	5983348
	CHPF2430B6C*+TXV	A*VM960603BxB*	17,600	13,000	15.00	12.50	650	5983856
	CHPF2430B6C*+TXV	GME950603BXA*	17,600	13,000	15.00	12.50	600	5983389
	CHPF2430B6C*+TXV	G*VM960603BxB*	17,600	13,000	15.00	12.50	650	5983374
	CHPF2430B6C*+TXV	G*VC80604B*B*	17,600	13,000	15.00	12.50	620	5983351
	CHPF2430B6C*+TXV	G*VC950704CXB*	17,600	13,000	15.00	12.50	630	5983363
	CHPF2430B6C*+TXV	A*EH800603B*A*	17,600	13,000	15.00	12.50	620	6945042
	CHPF2430B6C*+TXV	A*VC950453BxB*	17,600	13,000	15.00	12.50	600	5983838
	CHPF2430B6C*+TXV	A*VC80604B*B*	17,600	13,000	15.00	12.50	620	5984033
	CHPF2430B6C*+TXV	A*VM960604CXB*	17,600	13,000	15.00	12.50	650	5983861
	CHPF2430B6C*+TXV	AMEH960603BXA*	17,600	13,000	15.00	12.50	600	6945044
	CHPF2430B6C*+TXV	G*VM960604CXB*	17,600	13,000	15.00	12.50	650	5983379
	CHPF2430B6C*+TXV	GME950403BXA*	17,600	13,000	15.00	12.50	600	5983384
	CHPF3636B6C*	A*EC960803BNA*	17,400	12,900	15.00	12.50	550	7365920
	CHPF3636B6C*	A*VC950704CXB*	18,000	13,300	15.20	12.50	630	5987126
	CHPF3636B6C*	G*EC960302BNA*	18,000	13,300	15.00	12.50	600	7365735
	CHPF3636B6C*	G*VC960803BNA*	18,000	13,300	15.00	12.50	625	7355102
	CHPF3636B6C*	G*VM970803BNA*	18,000	13,300	15.00	12.50	625	7355272
	CHPF3636B6C*	A*VC950453BxB*	18,000	13,300	14.50	12.00	600	5987121
	CHPF3636B6C*	G*VM970603BNA*	18,000	13,300	15.00	12.50	625	7355262
	CHPF3636B6C*	A*EC960603BNA*	17,400	12,900	15.00	12.50	550	7365913
	CHPF3636B6C*	GME950603BXA*	18,000	13,300	15.50	12.50	600	5986670
	CHPF3636B6C*	A*VC960603BNA*	18,000	13,300	15.00	12.50	625	7355419
	CHPF3636B6C*	A*EC960402BNA*	18,000	13,300	15.00	12.50	600	7365906
	CHPF3636B6C*	A*VC960803BNA*	18,000	13,300	15.00	12.50	625	7355429
	CHPF3636B6C*	G*EC960803BNA*	17,400	12,900	15.00	12.50	550	7365756
	CHPF3636B6C*	G*VC950453BxB*	18,000	13,300	14.50	12.00	600	5986649
	CHPF3636B6C*	A*VM970603BNA*	18,000	13,300	15.00	12.50	625	7355589
	CHPF3636B6C*	G*VC960603BNA*	18,000	13,300	15.00	12.50	625	7355092
	CHPF3636B6C*	AMEH960403BXA*	18,000	13,300	15.50	12.50	600	6945046
	CHPF3636B6C*	A*VM960603BxB*	18,000	13,300	15.20	12.50	650	5987133
	CHPF3636B6C*	GME950403BXA*	18,000	13,300	15.50	12.50	600	5986666
	CHPF3636B6C*	A*VC960403BNA*	18,000	13,300	15.00	12.50	625	7355409
CHPF3636B6C*	G*EC960402BNA*	18,000	13,300	15.00	12.50	600	7365742	
CHPF3636B6C*	A*EH800603B*A*	18,000	13,300	15.00	12.50	620	6945045	
CHPF3636B6C*	G*E80603B*B*	18,000	13,300	15.00	12.50	620	5986645	
CHPF3636B6C*	G*VC960403BNA*	18,000	13,300	15.00	12.50	625	7355082	
CHPF3636B6C*	G*EC960603BNA*	17,400	12,900	15.00	12.50	550	7365749	
CHPF3636B6C*	A*EC960302BNA*	18,000	13,300	15.00	12.50	600	7365899	
CHPF3636B6C*	A*VM970803BNA*	18,000	13,300	15.00	12.50	625	7355599	
CHPF3636B6C*	G*VC950704CXB*	18,000	13,300	15.20	12.50	630	5986654	
CHPF3636B6C*	AMEH960603BXA*	18,000	13,300	15.50	12.50	600	6945047	
CHPF3636B6C*	G*VM960603BxB*	18,000	13,300	15.20	12.50	650	5986661	
CHPF3636B6C*+EEP		18,000	13,300	14.00	12.00	650	5986637	
CHPF3636B6C*+EEP+TXV		18,000	13,300	14.50	12.00	600	5753014	

See Notes on Page 85.

OUTDOOR UNIT	INDOOR UNITS		COOLING RATINGS				CFM	AHRI #
	COILS/AIR HANDLERS	FURNACES	TOTAL <sup>1</sup>	SENS. <sup>1</sup>	SEER <sup>2</sup>	EER <sup>3</sup>		
GSX16 0181F* (cont.)	CHPF3636B6C*+MBVC1200**-1A*		18,000	13,300	14.50	12.00	615	5986638
	CHPF3636B6C*+MBVC1200**-1A*+TXV		18,000	13,300	15.00	12.50	615	5983343
	CHPF3636B6C*+TXV	G*VM960603BXB*	18,000	13,300	15.50	12.50	650	5983375
	CHPF3636B6C*+TXV	GME950603BXA*	18,000	13,300	16.00	13.00	600	5983390
	CHPF3636B6C*+TXV	G*VM970803BNA*	18,000	13,300	16.00	13.00	625	7355273
	CHPF3636B6C*+TXV	G*EC960302BNA*	18,000	13,300	16.00	13.00	600	7365736
	CHPF3636B6C*+TXV	A*VC960803BNA*	18,000	13,300	16.00	13.00	625	7355430
	CHPF3636B6C*+TXV	G*EC960803BNA*	17,400	12,900	16.00	13.00	550	7365757
	CHPF3636B6C*+TXV	A*EC960302BNA*	18,000	13,300	16.00	13.00	600	7365900
	CHPF3636B6C*+TXV	AMEH960603BXA*	18,000	13,300	16.00	13.00	600	6945050
	CHPF3636B6C*+TXV	G*VC80604B*B*	18,000	13,300	16.00	13.00	600	6107843
	CHPF3636B6C*+TXV	G*VM970603BNA*	18,000	13,300	16.00	13.00	625	7355263
	CHPF3636B6C*+TXV	GME950403BXA*	18,000	13,300	16.00	13.00	575	5753019
	CHPF3636B6C*+TXV	G*VC950453BXB*	18,000	13,300	15.00	12.50	600	5983357
	CHPF3636B6C*+TXV	G*VC950704CXB*	18,000	13,300	15.50	12.50	630	5983364
	CHPF3636B6C*+TXV	A*VC960603BNA*	18,000	13,300	16.00	13.00	625	7355420
	CHPF3636B6C*+TXV	G*VC960403BNA*	18,000	13,300	16.00	13.00	625	7355083
	CHPF3636B6C*+TXV	A*EC960402BNA*	18,000	13,300	16.00	13.00	600	7365907
	CHPF3636B6C*+TXV	A*VC960403BNA*	18,000	13,300	16.00	13.00	625	7355410
	CHPF3636B6C*+TXV	A*EH800603B*A*	18,000	13,300	16.00	13.00	600	6945048
	CHPF3636B6C*+TXV	AMEH960403BXA*	18,000	13,300	16.00	13.00	575	6945049
	CHPF3636B6C*+TXV	G*VC960603BNA*	18,000	13,300	16.00	13.00	625	7355093
	CHPF3636B6C*+TXV	A*VC950453BXB*	18,000	13,300	15.00	12.50	600	5983839
	CHPF3636B6C*+TXV	A*EC960803BNA*	17,400	12,900	16.00	13.00	550	7365921
	CHPF3636B6C*+TXV	A*VM970803BNA*	18,000	13,300	16.00	13.00	625	7355600
	CHPF3636B6C*+TXV	G*VC960803BNA*	18,000	13,300	16.00	13.00	625	7355103
	CHPF3636B6C*+TXV	A*VC950704CXB*	18,000	13,300	15.50	12.50	630	5983846
	CHPF3636B6C*+TXV	G*EC960402BNA*	18,000	13,300	16.00	13.00	600	7365743
	CHPF3636B6C*+TXV	A*VM970603BNA*	18,000	13,300	16.00	13.00	625	7355590
	CHPF3636B6C*+TXV	A*VM960603BXB*	18,000	13,300	15.50	12.50	650	5983857
	CHPF3636B6C*+TXV	A*VC80604B*B*	18,000	13,300	16.00	13.00	600	6107839
	CHPF3636B6C*+TXV	A*EC960603BNA*	17,400	12,900	16.00	13.00	550	7365914
	CHPF3636B6C*+TXV	G*EC960603BNA*	17,400	12,900	16.00	13.00	550	7365750
	CHPF3636B6C*+TXV	G*E80603B*B*	18,000	13,300	16.00	13.00	600	5753017
	CHPF3743C6B*+EEP		18,000	13,300	14.00	12.00	650	5986639
	CHPF3743C6B*+EEP+TXV		18,200	13,500	15.00	12.50	600	5753015
	CSCF3036N6D*	G*VC950704CXB*	17,400	12,900	14.50	12.00	630	5986655
	CSCF3036N6D*	A*VC950704CXB*	17,400	12,900	14.50	12.00	630	5987127
	CSCF3036N6D*	G*VC950453BXB*	18,000	13,300	14.50	12.00	600	5986650
	CSCF3036N6D*	A*VC950453BXB*	18,000	13,300	14.50	12.00	600	5987122
	CSCF3036N6D*+EEP		17,800	13,200	13.50	11.50	650	5986640
	CSCF3036N6D*+EEP+TXV		18,000	13,300	14.00	12.00	650	5983344
	CSCF3036N6D*+TXV	A*VM970803BNA*	18,000	13,300	15.00	12.50	625	7355601
	CSCF3036N6D*+TXV	G*VC950453BXB*	18,000	13,300	15.00	12.50	600	5983358
	CSCF3036N6D*+TXV	G*VC960603BNA*	18,000	13,300	15.00	12.50	625	7355094
	CSCF3036N6D*+TXV	A*VC960403BNA*	18,000	13,300	15.00	12.50	625	7355411
	CSCF3036N6D*+TXV	A*VC950704CXB*	18,000	13,300	15.00	12.50	630	5983847
CSCF3036N6D*+TXV	G*VC950704CXB*	18,000	13,300	15.00	12.50	630	5983365	
CSCF3036N6D*+TXV	G*VM970603BNA*	18,000	13,300	15.00	12.50	625	7355264	
CSCF3036N6D*+TXV	G*VC960403BNA*	18,000	13,300	15.00	12.50	625	7355084	
CSCF3036N6D*+TXV	A*VC960603BNA*	18,000	13,300	15.00	12.50	625	7355421	
CSCF3036N6D*+TXV	A*VM970603BNA*	18,000	13,300	15.00	12.50	625	7355591	
CSCF3036N6D*+TXV	G*VM970803BNA*	18,000	13,300	15.00	12.50	625	7355274	
CSCF3036N6D*+TXV	A*VC950453BXB*	18,000	13,300	15.00	12.50	600	5983840	

See Notes on Page 85.

OUTDOOR UNIT	0.1672		COOLING RATINGS				CFM	AHRI #
	COILS/AIR HANDLERS	FURNACES	TOTAL <sup>1</sup>	SENS. <sup>1</sup>	SEER <sup>2</sup>	EER <sup>3</sup>		
GSX16 0181F* (cont.)	CSCF3036N6D*+TXV	G*VC960803BNA*	18,000	13,300	15.00	12.50	625	7355104
	CSCF3036N6D*+TXV	A*VC960803BNA*	18,000	13,300	15.00	12.50	625	7355431
	CSCF3642N6D*	A*VC960403BNA*	18,400	13,600	15.00	12.50	625	7355412
	CSCF3642N6D*	G*VM970803BNA*	18,400	13,600	15.00	12.50	625	7355275
	CSCF3642N6D*	G*VC960603BNA*	18,400	13,600	15.00	12.50	625	7355095
	CSCF3642N6D*	G*VC960803BNA*	18,400	13,600	15.00	12.50	625	7355105
	CSCF3642N6D*	G*VC960403BNA*	18,400	13,600	15.00	12.50	625	7355085
	CSCF3642N6D*	A*VC960803BNA*	18,400	13,600	15.00	12.50	625	7355432
	CSCF3642N6D*	A*VM970803BNA*	18,400	13,600	15.00	12.50	625	7355602
	CSCF3642N6D*	A*VC960603BNA*	18,400	13,600	15.00	12.50	625	7355422
	CSCF3642N6D*	A*VM970603BNA*	18,400	13,600	15.00	12.50	625	7355592
	CSCF3642N6D*	G*VM970603BNA*	18,400	13,600	15.00	12.50	625	7355265
	CSCF3642N6D*+EEP		18,000	13,300	13.50	11.50	650	5986641
	CSCF3642N6D*+EEP+TXV		18,000	13,300	14.50	12.00	650	5983345
	CSCF3642N6D*+TXV	G*VM970803BNA*	18,400	13,600	16.00	13.00	625	7355276
	CSCF3642N6D*+TXV	G*VC960403BNA*	18,400	13,600	16.00	13.00	625	7355086
	CSCF3642N6D*+TXV	A*VM970803BNA*	18,400	13,600	16.00	13.00	625	7355603
	CSCF3642N6D*+TXV	A*VC960403BNA*	18,400	13,600	16.00	13.00	625	7355413
	CSCF3642N6D*+TXV	G*VM970603BNA*	18,400	13,600	16.00	13.00	625	7355266
	CSCF3642N6D*+TXV	G*VC960603BNA*	18,400	13,600	16.00	13.00	625	7355096
CSCF3642N6D*+TXV	A*VC960603BNA*	18,400	13,600	16.00	13.00	625	7355423	
CSCF3642N6D*+TXV	G*VC960803BNA*	18,400	13,600	16.00	13.00	625	7355106	
CSCF3642N6D*+TXV	A*VC960803BNA*	18,400	13,600	16.00	13.00	625	7355433	
CSCF3642N6D*+TXV	A*VM970603BNA*	18,400	13,600	16.00	13.00	625	7355593	
GSX16 0241F*	ACNF24XX16D*		23,000	17,200	14.00	12.00	750	6107304
	ACNF30XX16D*		23,200	17,400	14.00	12.00	800	6107305
	ARPT24B14A*		22,000	16,500	13.50	11.00	800	5983394
	ARPT30B14A*		23,400	17,500	14.00	12.00	750	5983395
	ARUF24B14C*		23,000	17,200	13.50	11.00	800	7084832
	ARUF24B14C*+TXV		23,000	17,200	14.00	11.50	800	7084833
	ASPT30C14A*		23,600	17,700	16.00	13.00	750	5756172
	ASUF29B14A*		23,000	17,200	14.00	11.50	690	5986673
	ASUF29B14A*+TXV		23,000	17,200	14.50	12.00	690	5983397
	ASUF39C14A*		23,600	17,700	14.00	12.00	885	5986674
	ASUF39C14A*+TXV		23,600	17,700	15.00	12.50	885	5983398
	AVPTC30C14A*		23,600	17,700	16.00	13.00	780	5924457
	AWUF31XX16A*		24,000	18,000	15.00	12.50	750	5753207
	AWUF31XX16A*+TXV		24,000	18,000	15.00	12.50	750	5753077
	AWUF32XX16A*		24,000	18,000	15.00	12.50	750	5753208
	AWUF32XX16A*+TXV		24,000	18,000	15.00	12.50	750	5753078
	CA*F3131*6D*	G*VC80604B*B*	23,000	17,200	14.50	12.00	750	5986688
	CA*F3131*6D*	G*E80603B*B*	23,000	17,200	14.50	12.50	850	5986684
	CA*F3131*6D*	A*VC80805C*B*	23,000	17,200	14.50	12.00	800	5987141
	CA*F3131*6D*	A*EH800603B*A*	23,000	17,200	14.50	12.50	850	6945051
	CA*F3131*6D*	G*VC80805C*B*	23,000	17,200	14.50	12.00	800	5986693
	CA*F3131*6D*	AMEH960603BXA*	23,000	17,200	14.50	12.00	750	6945053
	CA*F3131*6D*	AMEH960403BXA*	23,000	17,200	14.50	12.00	770	6945052
	CA*F3131*6D*	GME950603BXA*	23,000	17,200	14.50	12.00	750	5986748
	CA*F3131*6D*	G*VC81005C*B*	23,000	17,200	14.50	12.00	750	5986699
	CA*F3131*6D*	A*VC80604B*B*	23,000	17,200	14.50	12.00	750	5987134
CA*F3131*6D*	GME950403BXA*	23,000	17,200	14.50	12.00	770	5986745	
CA*F3131*6D*	A*VC81005C*B*	23,000	17,200	14.50	12.00	750	5987149	
CA*F3131*6D*+TXV	A*VC80604B*B*	23,000	17,200	15.20	12.50	750	5987135	
CA*F3131*6D*+TXV	AMEH960603BXA*	23,000	17,200	15.20	12.50	750	6945056	

See Notes on Page 85.

OUTDOOR UNIT	INDOOR UNITS		COOLING RATINGS				CFM	AHRI #
	COILS/AIR HANDLERS	FURNACES	TOTAL <sup>1</sup>	SENS. <sup>1</sup>	SEER <sup>2</sup>	EER <sup>3</sup>		
GSX16 0241F* (cont.)	CA*F3131*6D*+TXV	GME950403BXA*	23,000	17,200	15.20	12.50	770	5983454
	CA*F3131*6D*+TXV	G*E80603B*B*	23,000	17,200	15.00	12.50	850	5983405
	CA*F3131*6D*+TXV	G*VC80604B*B*	23,000	17,200	15.20	12.50	750	5983408
	CA*F3131*6D*+TXV	GME950603BXA*	23,000	17,200	15.20	12.50	750	5983459
	CA*F3131*6D*+TXV	A*VC80805C*B*	23,000	17,200	15.20	12.50	800	5987142
	CA*F3131*6D*+TXV	G*VC81005C*B*	23,000	17,200	15.20	12.50	750	5983420
	CA*F3131*6D*+TXV	A*VC81005C*B*	23,000	17,200	15.20	12.50	750	5987150
	CA*F3131*6D*+TXV	AMEH960403BXA*	23,000	17,200	15.20	12.50	770	6945055
	CA*F3131*6D*+TXV	A*EH800603B*A*	23,000	17,200	15.00	12.50	850	6945054
	CA*F3131*6D*+TXV	G*VC80805C*B*	23,000	17,200	15.20	12.50	800	5983414
	CA*F3636*6D*	G*VC950915DXB*	23,600	17,700	15.00	12.50	750	5986729
	CA*F3636*6D*	G*VC950453BXB*	23,600	17,700	15.00	12.50	760	5986706
	CA*F3636*6D*	G*VM970804CNA*	23,600	17,700	15.00	12.50	810	7355300
	CA*F3636*6D*	G*VM960805DXB*	23,600	17,700	15.00	12.50	750	5986743
	CA*F3636*6D*	G*VM960603BXB*	23,600	17,700	15.00	12.50	800	5986730
	CA*F3636*6D*	G*EC960603BNA*	23,600	17,700	15.00	12.50	800	7365770
	CA*F3636*6D*	GME950603BXA*	23,600	17,700	14.50	12.00	750	5986749
	CA*F3636*6D*	G*VC960804CNA*	23,600	17,700	15.00	12.50	810	7355141
	CA*F3636*6D*	G*VC950905DXB*	23,600	17,700	15.00	12.50	750	5986728
	CA*F3636*6D*	A*VC950704CXB*	23,600	17,700	15.00	12.50	750	5987165
	CA*F3636*6D*	G*VC960403BNA*	23,600	17,700	15.00	12.50	805	7355108
	CA*F3636*6D*	G*EC960302BNA*	23,600	17,700	15.50	12.50	800	7365758
	CA*F3636*6D*	A*EC960302BNA*	23,600	17,700	15.50	12.50	800	7365922
	CA*F3636*6D*	G*VM970803BNA*	23,600	17,700	15.00	12.50	800	7355289
	CA*F3636*6D*	G*VC81005C*B*	23,600	17,700	15.00	12.50	750	5986700
	CA*F3636*6D*	A*VC960803BNA*	23,600	17,700	15.00	12.50	800	7355457
	CA*F3636*6D*	G*VC960603BNA*	23,600	17,700	15.00	12.50	820	7355119
	CA*F3636*6D*	G*VC950905CXB*	23,600	17,700	15.00	12.50	750	5986723
	CA*F3636*6D*	G*VC80604B*B*	23,600	17,700	15.00	12.50	750	5986689
	CA*F3636*6D*	G*EC960803BNA*	23,600	17,700	15.00	12.50	800	7365779
	CA*F3636*6D*	GME950403BXA*	23,600	17,700	15.50	12.50	770	5986746
	CA*F3636*6D*	A*VC950905DXB*	23,600	17,700	15.00	12.50	750	5987183
	CA*F3636*6D*	A*VM970603BNA*	23,600	17,700	15.00	12.50	820	7355605
	CA*F3636*6D*	A*EC960402BNA*	23,600	17,700	15.00	12.50	830	7365928
	CA*F3636*6D*	G*VC950714CXB*	23,600	17,700	15.00	12.50	740	5986720
	CA*F3636*6D*	A*VM960603BXB*	23,600	17,700	15.00	12.50	800	5987185
	CA*F3636*6D*	A*VC960603BNA*	23,600	17,700	15.00	12.50	820	7355446
	CA*F3636*6D*	G*VC80805C*B*	23,600	17,700	15.00	12.50	800	5986694
	CA*F3636*6D*	AMEH960603BXA*	23,600	17,700	14.50	12.00	750	6945059
	CA*F3636*6D*	A*VC950915DXB*	23,600	17,700	15.00	12.50	750	5987184
	CA*F3636*6D*	A*VC960403BNA*	23,600	17,700	15.00	12.50	805	7355435
	CA*F3636*6D*	G*VM960604CXB*	23,600	17,700	15.00	12.50	660	5986734
CA*F3636*6D*	AMEH960403BXA*	23,600	17,700	15.50	12.50	770	6945058	
CA*F3636*6D*	A*EH800603B*A*	23,600	17,700	15.00	12.50	850	6945057	
CA*F3636*6D*	G*VC960803BNA*	23,600	17,700	15.00	12.50	800	7355130	
CA*F3636*6D*	A*VC950453BXB*	23,600	17,700	15.00	12.50	760	5987158	
CA*F3636*6D*	A*VC81005C*B*	23,600	17,700	15.00	12.50	750	5987151	
CA*F3636*6D*	A*VM960805CXB*	23,600	17,700	15.00	12.50	740	5987195	
CA*F3636*6D*	A*VC80604B*B*	23,600	17,700	15.00	12.50	750	5987136	
CA*F3636*6D*	A*VM960805DXB*	23,600	17,700	15.00	12.50	750	5987200	
CA*F3636*6D*	A*VM960604CXB*	23,600	17,700	15.00	12.50	660	5987190	
CA*F3636*6D*	A*VC950714CXB*	23,600	17,700	15.00	12.50	740	5987174	
CA*F3636*6D*	G*EC960402BNA*	23,600	17,700	15.00	12.50	830	7365764	
CA*F3636*6D*	G*E80603B*B*	23,600	17,700	15.00	12.50	850	5986685	

See Notes on Page 85.

OUTDOOR UNIT	0.1672		COOLING RATINGS				CFM	AHRI #
	COILS/AIR HANDLERS	FURNACES	TOTAL <sup>1</sup>	SENS. <sup>1</sup>	SEER <sup>2</sup>	EER <sup>3</sup>		
GSX16 0241F* (cont.)	CA*F3636*6D*	A*VC950905CXB*	23,600	17,700	15.00	12.50	750	5987177
	CA*F3636*6D*	A*VM970804CNA*	23,600	17,700	15.00	12.50	810	7355627
	CA*F3636*6D*	G*VM960805CXB*	23,600	17,700	15.00	12.50	740	5986739
	CA*F3636*6D*	G*VM970603BNA*	23,600	17,700	15.00	12.50	820	7355278
	CA*F3636*6D*	A*EC960803BNA*	23,600	17,700	15.00	12.50	800	7365943
	CA*F3636*6D*	A*EC960603BNA*	23,600	17,700	15.00	12.50	800	7365934
	CA*F3636*6D*	A*VC960804CNA*	23,600	17,700	15.00	12.50	810	7355468
	CA*F3636*6D*	G*VC950704CXB*	23,600	17,700	15.00	12.50	750	5986712
	CA*F3636*6D*	A*VM970803BNA*	23,600	17,700	15.00	12.50	800	7355616
	CA*F3636*6D*	A*VC80805C*B*	23,600	17,700	15.00	12.50	800	5987143
	CA*F3636*6D*+EEP		23,600	17,700	14.00	12.00	750	5986675
	CA*F3636*6D*+EEP+TXV		23,600	17,700	14.50	12.00	750	5753020
	CA*F3636*6D*+MBVC1200**-1A*		23,600	17,700	15.50	12.50	725	5986676
	CA*F3636*6D*+MBVC1200**-1A*+TXV		23,600	17,700	16.00	13.00	725	5983399
	CA*F3636*6D*+TXV	A*VC960603BNA*	23,600	17,700	16.00	13.00	820	7355445
	CA*F3636*6D*+TXV	G*VM960805CXB*	23,600	17,700	15.50	12.50	740	5983448
	CA*F3636*6D*+TXV	A*VC960403BNA*	23,600	17,700	16.00	13.00	805	7355434
	CA*F3636*6D*+TXV	G*EC960603BNA*	23,600	17,700	16.00	13.00	800	7365771
	CA*F3636*6D*+TXV	A*EC960803BNA*	23,600	17,700	16.00	13.00	800	7365944
	CA*F3636*6D*+TXV	G*VC950905CXB*	23,600	17,700	15.50	12.50	750	5983438
	CA*F3636*6D*+TXV	G*VC960803BNA*	23,600	17,700	16.00	13.00	800	7355129
	CA*F3636*6D*+TXV	G*VM970603BNA*	23,600	17,700	16.00	13.00	820	7355277
	CA*F3636*6D*+TXV	A*VM970804CNA*	23,600	17,700	16.00	13.00	810	7355626
	CA*F3636*6D*+TXV	A*VC80604B*B*	23,600	17,700	15.50	12.50	750	5983862
	CA*F3636*6D*+TXV	G*VC950453BXB*	23,600	17,700	15.50	12.50	760	5983426
	CA*F3636*6D*+TXV	A*VC950714CXB*	23,600	17,700	15.50	12.50	740	5983882
	CA*F3636*6D*+TXV	A*VC950905CXB*	23,600	17,700	15.50	12.50	750	5983884
	CA*F3636*6D*+TXV	ADVC80805C*B*	23,600	17,700	16.00	13.00	730	5983453
	CA*F3636*6D*+TXV	A*VM970803BNA*	23,600	17,700	16.00	13.00	800	7355615
	CA*F3636*6D*+TXV	G*VM970803BNA*	23,600	17,700	16.00	13.00	800	7355288
	CA*F3636*6D*+TXV	A*VC80805C*B*	23,600	17,700	15.50	12.50	800	5983866
	CA*F3636*6D*+TXV	G*EC960402BNA*	23,600	17,700	16.00	13.00	830	7365765
	CA*F3636*6D*+TXV	G*VC950704CXB*	23,600	17,700	15.50	12.50	750	5983431
	CA*F3636*6D*+TXV	G*VC960403BNA*	23,600	17,700	16.00	13.00	805	7355107
	CA*F3636*6D*+TXV	A*VM960603BXB*	23,600	17,700	15.50	12.50	800	5983888
	CA*F3636*6D*+TXV	A*EH800603B*A*	24,000	18,000	16.00	13.00	750	6945060
	CA*F3636*6D*+TXV	A*VC950704CXB*	23,600	17,700	15.50	12.50	750	5983878
	CA*F3636*6D*+TXV	GME950603BXA*	24,000	18,000	16.00	13.00	750	5753026
	CA*F3636*6D*+TXV	AMEH960603BXA*	24,000	18,000	16.00	13.00	750	6945062
	CA*F3636*6D*+TXV	G*VC960603BNA*	23,600	17,700	16.00	13.00	820	7355118
CA*F3636*6D*+TXV	G*E80603B*B*	24,000	18,000	16.00	13.00	750	5753024	
CA*F3636*6D*+TXV	A*VC950453BXB*	23,600	17,700	15.50	12.50	760	5983874	
CA*F3636*6D*+TXV	G*EC960803BNA*	23,600	17,700	16.00	13.00	800	7365780	
CA*F3636*6D*+TXV	G*VC950714CXB*	23,600	17,700	15.50	12.50	740	5983436	
CA*F3636*6D*+TXV	A*EC960302BNA*	23,600	17,700	16.00	13.00	800	7365923	
CA*F3636*6D*+TXV	G*VC960804CNA*	23,600	17,700	16.00	13.00	810	7355140	
CA*F3636*6D*+TXV	A*VC81005C*B*	23,600	17,700	15.50	12.50	750	5983870	
CA*F3636*6D*+TXV	G*VM970804CNA*	23,600	17,700	16.00	13.00	810	7355299	
CA*F3636*6D*+TXV	A*VM960805CXB*	23,600	17,700	15.50	12.50	740	5983892	
CA*F3636*6D*+TXV	A*EC960402BNA*	23,600	17,700	16.00	13.00	830	7365929	
CA*F3636*6D*+TXV	G*VC80604B*B*	23,600	17,700	15.50	12.50	750	5983409	
CA*F3636*6D*+TXV	AMEH960403BXA*	23,600	17,700	15.50	12.50	770	6945061	
CA*F3636*6D*+TXV	A*EC960603BNA*	23,600	17,700	16.00	13.00	800	7365935	
CA*F3636*6D*+TXV	A*VC960803BNA*	23,600	17,700	16.00	13.00	800	7355456	

See Notes on Page 85.

OUTDOOR UNIT	0.1672		COOLING RATINGS				CFM	AHRI #
	COILS/AIR HANDLERS	FURNACES	TOTAL <sup>1</sup>	SENS. <sup>1</sup>	SEER <sup>2</sup>	EER <sup>3</sup>		
GSX16 0241F* (cont.)	CA*F3636*6D*+TXV	A*VM970603BNA*	23,600	17,700	16.00	13.00	820	7355604
	CA*F3636*6D*+TXV	A*VC960804CNA*	23,600	17,700	16.00	13.00	810	7355467
	CA*F3636*6D*+TXV	G*VM960603BXB*	23,600	17,700	15.50	12.50	800	5983443
	CA*F3636*6D*+TXV	GME950403BXA*	23,600	17,700	15.50	12.50	770	5983455
	CA*F3636*6D*+TXV	G*EC960302BNA*	23,600	17,700	16.00	13.00	800	7365759
	CA*F3636*6D*+TXV	G*VC81005C*B*	23,600	17,700	15.50	12.50	750	5983421
	CA*F3636*6D*+TXV	G*VC80805C*B*	23,600	17,700	15.50	12.50	800	5983415
	CA*F3642*6D*	G*VC950714CXB*	23,600	17,700	15.50	12.50	740	5986721
	CA*F3642*6D*	G*VC81005C*B*	23,600	17,700	15.50	12.50	750	5986701
	CA*F3642*6D*	A*VC950704CXB*	23,600	17,700	15.50	12.50	750	5987166
	CA*F3642*6D*	G*VC950704CXB*	23,600	17,700	15.50	12.50	750	5986713
	CA*F3642*6D*	ADVC81005C*B*	23,600	17,700	15.50	12.50	780	5986744
	CA*F3642*6D*	A*VC81005C*B*	23,600	17,700	15.50	12.50	750	5987152
	CA*F3642*6D*	A*VM960604CXB*	23,600	17,700	15.50	12.50	660	5987191
	CA*F3642*6D*	AMEH960603BXA*	23,400	17,500	15.50	12.50	750	6945063
	CA*F3642*6D*	GME950603BXA*	23,400	17,500	15.50	12.50	750	5986750
	CA*F3642*6D*	A*VC950714CXB*	23,600	17,700	15.50	12.50	740	5987175
	CA*F3642*6D*	G*VM960604CXB*	23,600	17,700	15.50	12.50	660	5986735
	CA*F3642*6D*+EEP		24,000	18,000	14.00	12.00	750	5986677
	CA*F3642*6D*+TXV	GME950603BXA*	23,400	17,500	15.50	12.50	750	5983460
	CA*F3642*6D*+TXV	AMEH960603BXA*	23,400	17,500	15.50	12.50	750	6945064
	CA*F3743*6D*	G*VC960804CNA*	23,600	17,700	15.00	12.50	810	7355143
	CA*F3743*6D*	A*VM970803BNA*	23,600	17,700	15.00	12.50	800	7355618
	CA*F3743*6D*	G*VM960603BXB*	23,600	17,700	15.50	12.50	800	5986731
	CA*F3743*6D*	G*VC950905CXB*	23,600	17,700	15.00	12.50	750	5986724
	CA*F3743*6D*	A*VC960603BNA*	23,600	17,700	15.00	12.50	820	7355448
	CA*F3743*6D*	A*VC80604B*B*	23,600	17,700	15.50	12.50	750	5987137
	CA*F3743*6D*	G*VM970603BNA*	23,600	17,700	15.00	12.50	820	7355280
	CA*F3743*6D*	A*EC960402BNA*	23,600	17,700	15.00	12.50	830	7365930
	CA*F3743*6D*	A*EC960603BNA*	23,600	17,700	15.00	12.50	800	7365936
	CA*F3743*6D*	A*EC960803BNA*	23,600	17,700	15.00	12.50	800	7366056
	CA*F3743*6D*	G*VC950704CXB*	23,600	17,700	15.50	12.50	750	5986714
	CA*F3743*6D*	A*VC81005C*B*	23,600	17,700	15.50	12.50	750	5987153
	CA*F3743*6D*	A*VC960804CNA*	23,600	17,700	15.00	12.50	810	7355470
	CA*F3743*6D*	A*VC950704CXB*	23,600	17,700	15.50	12.50	750	5987167
	CA*F3743*6D*	G*EC960402BNA*	23,600	17,700	15.00	12.50	830	7365766
	CA*F3743*6D*	G*VC80604B*B*	23,600	17,700	15.50	12.50	750	5986690
	CA*F3743*6D*	A*VC950453BXB*	23,600	17,700	15.50	12.50	760	5987159
	CA*F3743*6D*	A*EC960302BNA*	23,600	17,700	15.00	12.50	800	7365924
	CA*F3743*6D*	A*VM960604CXB*	23,600	17,700	15.50	12.50	660	5987192
	CA*F3743*6D*	A*VM970804CNA*	23,600	17,700	15.00	12.50	810	7355629
	CA*F3743*6D*	G*VM970803BNA*	23,600	17,700	15.00	12.50	800	7355291
CA*F3743*6D*	G*VM960805CXB*	23,600	17,700	15.50	12.50	740	5986740	
CA*F3743*6D*	A*VC80805C*B*	23,600	17,700	15.50	12.50	800	5987144	
CA*F3743*6D*	G*VC81005C*B*	23,600	17,700	15.50	12.50	750	5986702	
CA*F3743*6D*	G*VC950453BXB*	23,600	17,700	15.50	12.50	760	5986707	
CA*F3743*6D*	G*VM960604CXB*	23,600	17,700	15.50	12.50	660	5986736	
CA*F3743*6D*	A*VM960805CXB*	23,600	17,700	15.50	12.50	740	5987196	
CA*F3743*6D*	G*EC960302BNA*	23,600	17,700	15.00	12.50	800	7365760	
CA*F3743*6D*	G*VC960403BNA*	23,600	17,700	15.00	12.50	805	7355110	
CA*F3743*6D*	G*EC960603BNA*	23,600	17,700	15.00	12.50	800	7365772	
CA*F3743*6D*	A*VC950714CXB*	23,600	17,700	15.50	12.50	740	5987176	
CA*F3743*6D*	A*VM970603BNA*	23,600	17,700	15.00	12.50	820	7355607	
CA*F3743*6D*	G*VC960603BNA*	23,600	17,700	15.00	12.50	820	7355121	

See Notes on Page 85.

OUTDOOR UNIT	0.1672		COOLING RATINGS				CFM	AHRI #
	COILS/AIR HANDLERS	FURNACES	TOTAL <sup>1</sup>	SENS. <sup>1</sup>	SEER <sup>2</sup>	EER <sup>3</sup>		
GSX16 0241F* (cont.)	CA*F3743*6D*	G*VC80805C*B*	23,600	17,700	15.50	12.50	800	5986695
	CA*F3743*6D*	A*VC960403BNA*	23,600	17,700	15.00	12.50	805	7355437
	CA*F3743*6D*	G*VC960803BNA*	23,600	17,700	15.00	12.50	800	7355132
	CA*F3743*6D*	G*VM970804CNA*	23,600	17,700	15.00	12.50	810	7355302
	CA*F3743*6D*	GME950603BXA*	23,600	17,700	15.00	12.50	750	5986751
	CA*F3743*6D*	A*VC950905CXB*	23,600	17,700	15.00	12.50	750	5987178
	CA*F3743*6D*	A*VC960803BNA*	23,600	17,700	15.00	12.50	800	7355459
	CA*F3743*6D*	AMEH960603BXA*	23,600	17,700	15.00	12.50	750	6945065
	CA*F3743*6D*	A*VM960603BXB*	23,600	17,700	15.50	12.50	800	5987186
	CA*F3743*6D*	G*EC960803BNA*	23,600	17,700	15.00	12.50	800	7365781
	CA*F3743*6D*	G*VC950714CXB*	23,600	17,700	15.50	12.50	740	5986722
	CA*F3743*6D*+EEP		24,000	18,000	14.00	12.00	750	5986678
	CA*F3743*6D*+EEP+TXV		24,000	18,000	15.00	12.50	700	5753021
	CA*F3743*6D*+TXV	G*VM960805CXB*	23,600	17,700	16.00	13.00	740	5983449
	CA*F3743*6D*+TXV	A*VM970803BNA*	23,600	17,700	16.00	13.00	800	7355617
	CA*F3743*6D*+TXV	A*VM970804CNA*	23,600	17,700	16.00	13.00	810	7355628
	CA*F3743*6D*+TXV	G*VM970804CNA*	23,600	17,700	16.00	13.00	810	7355301
	CA*F3743*6D*+TXV	G*VC960803BNA*	23,600	17,700	16.00	13.00	800	7355131
	CA*F3743*6D*+TXV	G*VM970603BNA*	23,600	17,700	16.00	13.00	820	7355279
	CA*F3743*6D*+TXV	G*VC960603BNA*	23,600	17,700	16.00	13.00	820	7355120
	CA*F3743*6D*+TXV	A*VC80805C*B*	23,600	17,700	16.00	13.00	800	5983867
	CA*F3743*6D*+TXV	ADVC80603B*B*	23,600	17,700	16.00	13.00	800	5983452
	CA*F3743*6D*+TXV	G*VC960804CNA*	23,600	17,700	16.00	13.00	810	7355142
	CA*F3743*6D*+TXV	G*VM960603BXB*	23,600	17,700	16.00	13.00	800	5983444
	CA*F3743*6D*+TXV	G*EC960603BNA*	23,600	17,700	16.00	13.00	800	7365773
	CA*F3743*6D*+TXV	GME950403BXA*	23,600	17,700	16.00	13.00	770	5983456
	CA*F3743*6D*+TXV	G*EC960803BNA*	23,600	17,700	16.00	13.00	800	7365782
	CA*F3743*6D*+TXV	A*VC960804CNA*	23,600	17,700	16.00	13.00	810	7355469
	CA*F3743*6D*+TXV	G*VC960403BNA*	23,600	17,700	16.00	13.00	805	7355109
	CA*F3743*6D*+TXV	A*VM960603BXB*	23,600	17,700	16.00	13.00	800	5983889
	CA*F3743*6D*+TXV	AMEH960403BXA*	23,600	17,700	16.00	13.00	770	6945066
	CA*F3743*6D*+TXV	A*VM970603BNA*	23,600	17,700	16.00	13.00	820	7355606
	CA*F3743*6D*+TXV	G*VC950453BXB*	23,600	17,700	16.00	13.00	760	5983427
	CA*F3743*6D*+TXV	A*VC950714CXB*	23,600	17,700	16.00	13.00	740	5983883
	CA*F3743*6D*+TXV	A*VM960805CXB*	23,600	17,700	16.00	13.00	740	5983893
	CA*F3743*6D*+TXV	GME950603BXA*	23,600	17,700	15.50	12.50	750	5983461
	CA*F3743*6D*+TXV	G*VC950704CXB*	23,600	17,700	16.00	13.00	750	5983432
	CA*F3743*6D*+TXV	A*EC960402BNA*	23,600	17,700	16.00	13.00	830	7365931
	CA*F3743*6D*+TXV	A*EC960302BNA*	23,600	17,700	16.00	13.00	800	7365925
	CA*F3743*6D*+TXV	A*VC80604B*B*	23,600	17,700	16.00	13.00	750	5983863
	CA*F3743*6D*+TXV	A*VC950704CXB*	23,600	17,700	16.00	13.00	750	5983879
	CA*F3743*6D*+TXV	A*VM960604CXB*	23,600	17,700	16.00	13.00	660	5983891
CA*F3743*6D*+TXV	G*VC950714CXB*	23,600	17,700	16.00	13.00	740	5983437	
CA*F3743*6D*+TXV	G*VC80805C*B*	23,600	17,700	16.00	13.00	800	5983416	
CA*F3743*6D*+TXV	G*EC960302BNA*	23,600	17,700	16.00	13.00	800	7365761	
CA*F3743*6D*+TXV	G*EC960402BNA*	23,600	17,700	16.00	13.00	830	7365767	
CA*F3743*6D*+TXV	G*VM960604CXB*	23,600	17,700	16.00	13.00	660	5983447	
CA*F3743*6D*+TXV	A*EC960803BNA*	23,600	17,700	16.00	13.00	800	7366057	
CA*F3743*6D*+TXV	A*VC960603BNA*	23,600	17,700	16.00	13.00	820	7355447	
CA*F3743*6D*+TXV	AMEH960603BXA*	23,600	17,700	15.50	12.50	750	6945067	
CA*F3743*6D*+TXV	A*VC960803BNA*	23,600	17,700	16.00	13.00	800	7355458	
CA*F3743*6D*+TXV	G*VM970803BNA*	23,600	17,700	16.00	13.00	800	7355290	
CA*F3743*6D*+TXV	A*EC960603BNA*	23,600	17,700	16.00	13.00	800	7365937	
CA*F3743*6D*+TXV	A*VC81005C*B*	23,600	17,700	16.00	13.00	750	5983871	
CA*F3743*6D*+TXV	A*VC960403BNA*	23,600	17,700	16.00	13.00	805	7355436	
CA*F3743*6D*+TXV	G*VC81005C*B*	23,600	17,700	16.00	13.00	750	5983422	

See Notes on Page 85.

OUTDOOR UNIT	0.1672		COOLING RATINGS				CFM	AHRI #
	COILS/AIR HANDLERS	FURNACES	TOTAL <sup>1</sup>	SENS. <sup>1</sup>	SEER <sup>2</sup>	EER <sup>3</sup>		
GSX16 0241F* (cont.)	CA*F3743*6D*+TXV	A*VC950905CXB*	23,600	17,700	16.00	13.00	750	5983885
	CA*F3743*6D*+TXV	G*VC80604B*B*	23,600	17,700	16.00	13.00	750	5983410
	CA*F3743*6D*+TXV	G*VC950905CXB*	23,600	17,700	16.00	13.00	750	5983439
	CA*F3743*6D*+TXV	A*VC950453BXB*	23,600	17,700	16.00	13.00	760	5983875
	CAPT3131*4A*	A*VC950704CXB*	23,200	17,400	15.00	12.50	725	6345874
	CAPT3131*4A*	A*VC960603BNA*	23,000	17,200	14.50	12.00	820	7355449
	CAPT3131*4A*	A*EC960803BNA*	23,400	17,500	15.00	12.50	800	7365942
	CAPT3131*4A*	A*VC950714CXB*	23,200	17,400	15.00	12.50	775	6345868
	CAPT3131*4A*	A*VC960803BNA*	23,000	17,200	14.50	12.00	800	7355460
	CAPT3131*4A*	G*VM960603BXB*	23,200	17,400	15.00	12.50	800	6345875
	CAPT3131*4A*	A*VC960403BNA*	23,000	17,200	14.50	12.00	805	7355438
	CAPT3131*4A*	A*VM960604CXB*	23,200	17,400	15.00	12.50	800	6345870
	CAPT3131*4A*	A*VM970803BNA*	23,000	17,200	14.50	12.00	800	7355619
	CAPT3131*4A*	GME950603BXA*	23,000	17,200	15.20	12.50	750	5983462
	CAPT3131*4A*	G*VC81005C*B*	23,000	17,200	15.20	12.50	750	5983423
	CAPT3131*4A*	G*VC960803BNA*	23,000	17,200	14.50	12.00	800	7355133
	CAPT3131*4A*	G*VC960603BNA*	23,000	17,200	14.50	12.00	820	7355122
	CAPT3131*4A*	G*EC960803BNA*	23,400	17,500	15.00	12.50	800	7365778
	CAPT3131*4A*	AMEH960603BXA*	23,000	17,200	15.20	12.50	750	6945070
	CAPT3131*4A*	ADVC80603B*B*	23,200	17,400	15.00	12.50	800	6345877
	CAPT3131*4A*	A*EH800603B*A*	23,000	17,200	15.20	12.50	850	6945068
	CAPT3131*4A*	A*VC80805C*B*	23,000	17,200	15.20	12.50	800	5987145
	CAPT3131*4A*	G*VM970603BNA*	23,000	17,200	14.50	12.00	820	7355281
	CAPT3131*4A*	A*VM960603BXB*	23,200	17,400	15.00	12.50	800	6345876
	CAPT3131*4A*	G*VC960804CNA*	23,000	17,200	14.50	12.00	810	7355144
	CAPT3131*4A*	G*VM970803BNA*	23,000	17,200	14.50	12.00	800	7355292
	CAPT3131*4A*	A*VM970603BNA*	23,000	17,200	14.50	12.00	820	7355608
	CAPT3131*4A*	G*VC80604B*B*	23,000	17,200	15.20	12.50	750	5983411
	CAPT3131*4A*	G*VM970804CNA*	23,000	17,200	14.50	12.00	810	7355303
	CAPT3131*4A*	G*VM960604CXB*	23,200	17,400	15.00	12.50	800	6345869
	CAPT3131*4A*	G*VC950714CXB*	23,200	17,400	15.00	12.50	775	6345867
	CAPT3131*4A*	G*VC80805C*B*	23,000	17,200	15.20	12.50	800	5983417
	CAPT3131*4A*	A*VC960804CNA*	23,000	17,200	14.50	12.00	810	7355471
	CAPT3131*4A*	A*VC81005C*B*	23,000	17,200	15.20	12.50	750	5987154
	CAPT3131*4A*	A*VM970804CNA*	23,000	17,200	14.50	12.00	810	7355630
	CAPT3131*4A*	A*VC950453BXB*	23,200	17,400	14.50	12.00	800	6345872
	CAPT3131*4A*	G*VC960403BNA*	23,000	17,200	14.50	12.00	805	7355111
	CAPT3131*4A*	G*E80603B*B*	23,000	17,200	15.20	12.50	850	5983406
	CAPT3131*4A*	A*VC80604B*B*	23,000	17,200	15.20	12.50	750	5987138
	CAPT3131*4A*	G*VC950704CXB*	23,200	17,400	15.00	12.50	725	6345873
	CAPT3131*4A*	AMEH960403BXA*	23,000	17,200	15.20	12.50	770	6945069
	CAPT3131*4A*	GME950403BXA*	23,000	17,200	15.20	12.50	770	5983457
CAPT3131*4A*	G*VC950453BXB*	23,200	17,400	14.50	12.00	800	6345871	
CAPT3131*4A*+EEP		23,000	17,200	14.00	12.00	750	5983400	
CAPT3131*4A*+MBVC1200**-1A*		23,000	17,200	15.50	12.50	725	6345878	
CAPT3743*4A*+EEP		24,000	18,000	14.50	12.00	750	5983401	
CHPF2430B6C*	A*VC80805C*B*	23,000	17,200	14.50	12.00	800	5987146	
CHPF2430B6C*	G*E80603B*B*	23,000	17,200	14.50	12.00	850	5986686	
CHPF2430B6C*	A*EH800603B*A*	23,000	17,200	14.50	12.00	850	6945071	
CHPF2430B6C*	A*VC80604B*B*	23,000	17,200	14.50	12.00	750	5987139	
CHPF2430B6C*	G*VC80604B*B*	23,000	17,200	14.50	12.00	750	5986691	
CHPF2430B6C*	A*VC81005C*B*	23,000	17,200	14.50	12.00	750	5987155	
CHPF2430B6C*	G*VC80805C*B*	23,000	17,200	14.50	12.00	800	5986696	
CHPF2430B6C*	G*VC81005C*B*	23,000	17,200	14.50	12.00	750	5986703	
CHPF2430B6C*+TXV	G*VC80604B*B*	23,000	17,200	15.00	12.50	750	5983412	
CHPF2430B6C*+TXV	A*VC81005C*B*	23,000	17,200	15.00	12.50	750	5983872	

See Notes on Page 85.

OUTDOOR UNIT	0.1672		COOLING RATINGS				CFM	AHRI #
	COILS/AIR HANDLERS	FURNACES	TOTAL <sup>1</sup>	SENS. <sup>1</sup>	SEER <sup>2</sup>	EER <sup>3</sup>		
GSX16 0241F* (cont.)	CHPF2430B6C*+TXV	A*EH800603B*A*	23,000	17,200	15.00	12.50	850	6945072
	CHPF2430B6C*+TXV	G*VC80805C*B*	23,000	17,200	15.20	12.50	800	5983418
	CHPF2430B6C*+TXV	A*VC80604B*B*	23,000	17,200	15.00	12.50	750	5983864
	CHPF2430B6C*+TXV	G*VC81005C*B*	23,000	17,200	15.00	12.50	750	5983424
	CHPF2430B6C*+TXV	G*E80603B*B*	23,000	17,200	15.00	12.50	850	5983407
	CHPF2430B6C*+TXV	A*VC80805C*B*	23,000	17,200	15.20	12.50	800	5983868
	CHPF3636B6C*	G*VC950704CXB*	23,600	17,700	14.50	12.00	750	5986715
	CHPF3636B6C*	G*VC960403BNA*	23,600	17,700	15.00	12.50	805	7355112
	CHPF3636B6C*	A*VC960804CNA*	23,600	17,700	15.00	12.50	810	7355472
	CHPF3636B6C*	G*VM960604CXB*	23,600	17,700	15.00	12.50	660	5986737
	CHPF3636B6C*	G*VM970603BNA*	23,600	17,700	15.00	12.50	820	7355282
	CHPF3636B6C*	A*EC960603BNA*	23,600	17,700	15.00	12.50	800	7365938
	CHPF3636B6C*	GME950403BXA*	23,600	17,700	15.00	12.50	770	5986747
	CHPF3636B6C*	A*VM960603BXB*	23,600	17,700	14.50	12.00	800	5987187
	CHPF3636B6C*	G*VM960805CXB*	23,600	17,700	15.00	12.50	740	5986741
	CHPF3636B6C*	G*VC80805C*B*	23,600	17,700	15.00	12.50	800	5986697
	CHPF3636B6C*	A*VM970804CNA*	23,600	17,700	15.00	12.50	810	7355631
	CHPF3636B6C*	G*VM970804CNA*	23,600	17,700	15.00	12.50	810	7355304
	CHPF3636B6C*	A*VC960803BNA*	23,600	17,700	15.00	12.50	800	7355461
	CHPF3636B6C*	G*VC81005C*B*	23,600	17,700	15.00	12.50	750	5986704
	CHPF3636B6C*	A*VC80604B*B*	23,600	17,700	15.00	12.50	750	5987140
	CHPF3636B6C*	A*EC960302BNA*	23,600	17,700	15.00	12.50	800	7365926
	CHPF3636B6C*	GME950603BXA*	23,600	17,700	15.50	12.50	750	5986752
	CHPF3636B6C*	AMEH960403BXA*	23,600	17,700	15.00	12.50	770	6945074
	CHPF3636B6C*	A*VC960403BNA*	23,600	17,700	15.00	12.50	805	7355439
	CHPF3636B6C*	G*VC960804CNA*	23,600	17,700	15.00	12.50	810	7355145
	CHPF3636B6C*	A*VM970603BNA*	23,600	17,700	15.00	12.50	820	7355609
	CHPF3636B6C*	G*VC960603BNA*	23,600	17,700	15.00	12.50	820	7355123
	CHPF3636B6C*	AMEH960603BXA*	23,600	17,700	15.50	12.50	750	6945075
	CHPF3636B6C*	A*VC950704CXB*	23,600	17,700	14.50	12.00	750	5987168
	CHPF3636B6C*	G*E80603B*B*	23,600	17,700	15.50	12.50	850	5986687
	CHPF3636B6C*	G*VC950453BXB*	23,600	17,700	14.50	12.00	760	5986708
	CHPF3636B6C*	G*EC960302BNA*	23,600	17,700	15.00	12.50	800	7365762
	CHPF3636B6C*	G*EC960603BNA*	23,600	17,700	15.00	12.50	800	7365774
	CHPF3636B6C*	A*EC960803BNA*	23,600	17,700	15.00	12.50	800	7365945
	CHPF3636B6C*	A*VM970803BNA*	23,600	17,700	15.00	12.50	800	7355620
	CHPF3636B6C*	A*VM960805CXB*	23,600	17,700	15.00	12.50	740	5987197
	CHPF3636B6C*	G*EC960803BNA*	23,600	17,700	15.00	12.50	800	7365783
	CHPF3636B6C*	A*VC950905CXB*	23,600	17,700	14.50	12.00	750	5987179
	CHPF3636B6C*	G*VC960803BNA*	23,600	17,700	15.00	12.50	800	7355134
	CHPF3636B6C*	G*VC80604B*B*	23,600	17,700	15.00	12.50	750	5986692
	CHPF3636B6C*	A*EC960402BNA*	23,600	17,700	15.50	12.50	830	7365932
CHPF3636B6C*	A*VM960604CXB*	23,600	17,700	15.00	12.50	660	5987193	
CHPF3636B6C*	G*VC950905CXB*	23,600	17,700	14.50	12.00	750	5986725	
CHPF3636B6C*	G*VM960603BXB*	23,600	17,700	14.50	12.00	800	5986732	
CHPF3636B6C*	A*EH800603B*A*	23,600	17,700	15.50	12.50	850	6945073	
CHPF3636B6C*	A*VC960603BNA*	23,600	17,700	15.00	12.50	820	7355450	
CHPF3636B6C*	G*VM970803BNA*	23,600	17,700	15.00	12.50	800	7355293	
CHPF3636B6C*	A*VC81005C*B*	23,600	17,700	15.00	12.50	750	5987156	
CHPF3636B6C*	A*VC80805C*B*	23,600	17,700	15.00	12.50	800	5987147	
CHPF3636B6C*	A*VC950453BXB*	23,600	17,700	14.50	12.00	760	5987160	
CHPF3636B6C*	G*EC960402BNA*	23,600	17,700	15.50	12.50	830	7365768	
CHPF3636B6C*+EEP		23,600	17,700	14.00	12.00	750	5986679	
CHPF3636B6C*+EEP+TXV		23,600	17,700	14.50	12.00	750	5753022	
CHPF3636B6C*+MBVC1200** -1A*		23,600	17,700	15.50	12.50	725	5986680	
CHPF3636B6C*+MBVC1200** -1A*+TXV		23,600	17,700	16.00	13.00	725	5983402	

See Notes on Page 85.

OUTDOOR UNIT	0.1672		COOLING RATINGS				CFM	AHRI #
	COILS/AIR HANDLERS	FURNACES	TOTAL <sup>1</sup>	SENS. <sup>1</sup>	SEER <sup>2</sup>	EER <sup>3</sup>		
GSX16 0241F* (cont.)	CHPF3636B6C*+TXV	G*E80603B*B*	24,000	18,000	16.00	13.00	750	5753025
	CHPF3636B6C*+TXV	A*VC80805C*B*	23,600	17,700	16.00	13.00	800	5983869
	CHPF3636B6C*+TXV	A*VM970803BNA*	23,600	17,700	16.00	13.00	800	7355621
	CHPF3636B6C*+TXV	G*VC80604B*B*	23,600	17,700	15.50	12.50	750	5983413
	CHPF3636B6C*+TXV	G*VC950704CXB*	23,600	17,700	15.00	12.50	750	5983433
	CHPF3636B6C*+TXV	G*VC950905CXB*	23,600	17,700	15.00	12.50	750	5983440
	CHPF3636B6C*+TXV	AMEH960403BXA*	23,600	17,700	15.50	12.50	770	6945077
	CHPF3636B6C*+TXV	G*EC960402BNA*	23,600	17,700	16.00	13.00	830	7365769
	CHPF3636B6C*+TXV	A*EC960603BNA*	23,600	17,700	16.00	13.00	800	7365939
	CHPF3636B6C*+TXV	G*VC950453BXB*	23,600	17,700	15.00	12.50	760	5983428
	CHPF3636B6C*+TXV	G*VC960803BNA*	23,600	17,700	16.00	13.00	800	7355135
	CHPF3636B6C*+TXV	G*EC960302BNA*	23,600	17,700	16.00	13.00	800	7365763
	CHPF3636B6C*+TXV	G*VC81005C*B*	23,600	17,700	15.50	12.50	750	5983425
	CHPF3636B6C*+TXV	G*EC960803BNA*	23,600	17,700	16.00	13.00	800	7365784
	CHPF3636B6C*+TXV	G*VM970804CNA*	23,600	17,700	16.00	13.00	810	7355305
	CHPF3636B6C*+TXV	A*VC950453BXB*	23,600	17,700	15.00	12.50	760	5983876
	CHPF3636B6C*+TXV	G*VM960603BXB*	23,600	17,700	15.00	12.50	800	5983445
	CHPF3636B6C*+TXV	A*EH800603B*A*	24,000	18,000	16.00	13.00	750	6945076
	CHPF3636B6C*+TXV	G*VC960403BNA*	23,600	17,700	16.00	13.00	805	7355113
	CHPF3636B6C*+TXV	A*VC960403BNA*	23,600	17,700	16.00	13.00	805	7355440
	CHPF3636B6C*+TXV	G*VM970603BNA*	23,600	17,700	16.00	13.00	820	7355283
	CHPF3636B6C*+TXV	G*VM970803BNA*	23,600	17,700	16.00	13.00	800	7355294
	CHPF3636B6C*+TXV	A*VC950704CXB*	23,600	17,700	15.00	12.50	750	5983880
	CHPF3636B6C*+TXV	A*VC80604B*B*	23,600	17,700	15.50	12.50	750	5983865
	CHPF3636B6C*+TXV	A*EC960402BNA*	23,600	17,700	16.00	13.00	830	7365933
	CHPF3636B6C*+TXV	GME950603BXA*	24,000	18,000	16.00	13.00	750	5753027
	CHPF3636B6C*+TXV	GME950403BXA*	23,600	17,700	15.50	12.50	770	5983458
	CHPF3636B6C*+TXV	G*VC960804CNA*	23,600	17,700	16.00	13.00	810	7355146
	CHPF3636B6C*+TXV	A*VM970603BNA*	23,600	17,700	16.00	13.00	820	7355610
	CHPF3636B6C*+TXV	A*EC960302BNA*	23,600	17,700	16.00	13.00	800	7365927
	CHPF3636B6C*+TXV	G*VC80805C*B*	23,600	17,700	16.00	13.00	800	5983419
	CHPF3636B6C*+TXV	A*VM960603BXB*	23,600	17,700	15.00	12.50	800	5983890
	CHPF3636B6C*+TXV	A*VC81005C*B*	23,600	17,700	15.50	12.50	750	5983873
	CHPF3636B6C*+TXV	G*VC960603BNA*	23,600	17,700	16.00	13.00	820	7355124
	CHPF3636B6C*+TXV	AMEH960603BXA*	24,000	18,000	16.00	13.00	750	6945078
	CHPF3636B6C*+TXV	A*VC950905CXB*	23,600	17,700	15.00	12.50	750	5983886
	CHPF3636B6C*+TXV	A*VM960805CXB*	23,600	17,700	15.50	12.50	740	5983894
	CHPF3636B6C*+TXV	A*VM970804CNA*	23,600	17,700	16.00	13.00	810	7355632
	CHPF3636B6C*+TXV	G*EC960603BNA*	23,600	17,700	16.00	13.00	800	7365775
	CHPF3636B6C*+TXV	G*VM960805CXB*	23,600	17,700	15.50	12.50	740	5983450
	CHPF3636B6C*+TXV	A*VC960603BNA*	23,600	17,700	16.00	13.00	820	7355451
	CHPF3636B6C*+TXV	A*VC960804CNA*	23,600	17,700	16.00	13.00	810	7355473
CHPF3636B6C*+TXV	A*VC960803BNA*	23,600	17,700	16.00	13.00	800	7355462	
CHPF3636B6C*+TXV	A*EC960803BNA*	23,600	17,700	16.00	13.00	800	7365946	
CHPF3642C6C*	GME950603BXA*	23,600	17,700	15.00	12.50	750	5986753	
CHPF3642C6C*	A*VM960604CXB*	23,600	17,700	15.00	12.50	660	5987194	
CHPF3642C6C*	A*EC960803BNA*	24,000	18,000	15.00	12.50	800	7365947	
CHPF3642C6C*	A*EC960603BNA*	23,600	17,700	15.00	12.50	800	7365940	
CHPF3642C6C*	A*VC950704CXB*	23,600	17,700	15.00	12.50	750	5987169	
CHPF3642C6C*	A*VC80805C*B*	23,600	17,700	15.00	12.50	800	5987148	
CHPF3642C6C*	G*VC81005C*B*	23,600	17,700	15.00	12.50	750	5986705	
CHPF3642C6C*	G*VC80805C*B*	23,600	17,700	15.00	12.50	800	5986698	
CHPF3642C6C*	G*VC950704CXB*	23,600	17,700	15.00	12.50	750	5986716	
CHPF3642C6C*	AMEH960603BXA*	23,600	17,700	15.00	12.50	750	6945079	

See Notes on Page 85.

OUTDOOR UNIT	0.1672		COOLING RATINGS				CFM	AHRI #
	COILS/AIR HANDLERS	FURNACES	TOTAL <sup>1</sup>	SENS. <sup>1</sup>	SEER <sup>2</sup>	EER <sup>3</sup>		
GSX16 0241F* (cont.)	CHPF3642C6C*	A*VC81005C*B*	23,600	17,700	15.00	12.50	750	5987157
	CHPF3642C6C*	G*EC960803BNA*	24,000	18,000	15.00	12.50	800	7365785
	CHPF3642C6C*	G*VM960604CXB*	23,600	17,700	15.00	12.50	660	5986738
	CHPF3642C6C*	G*EC960603BNA*	23,600	17,700	15.00	12.50	800	7365776
	CHPF3642C6C*+TXV	G*EC960603BNA*	23,600	17,700	16.00	13.00	800	7365777
	CHPF3642C6C*+TXV	G*EC960803BNA*	24,000	18,000	16.00	13.00	800	7365786
	CHPF3642C6C*+TXV	A*EC960603BNA*	23,600	17,700	16.00	13.00	800	7365941
	CHPF3642C6C*+TXV	GME950603BXA*	23,600	17,700	15.50	12.50	750	5983463
	CHPF3642C6C*+TXV	A*EC960803BNA*	24,000	18,000	16.00	13.00	800	7365948
	CHPF3642C6C*+TXV	AMEH960603BXA*	23,600	17,700	15.50	12.50	750	6945080
	CHPF3642C6C*+TXV	G*VC950704CXB*	23,600	17,700	16.00	13.00	750	6331605
	CHPF3743C6B*	A*VC950453BXB*	23,600	17,700	15.00	12.50	760	5987161
	CHPF3743C6B*	G*VM960603BXB*	23,600	17,700	15.50	12.50	800	5986733
	CHPF3743C6B*	G*VC950704CXB*	23,600	17,700	15.00	12.50	750	5986717
	CHPF3743C6B*	G*VC950905CXB*	23,600	17,700	15.50	12.50	750	5986726
	CHPF3743C6B*	A*VC950905CXB*	23,600	17,700	15.50	12.50	750	5987180
	CHPF3743C6B*	G*VC950453BXB*	23,600	17,700	15.00	12.50	760	5986709
	CHPF3743C6B*	A*VM960603BXB*	23,600	17,700	15.50	12.50	800	5987188
	CHPF3743C6B*	A*VC950704CXB*	23,600	17,700	15.00	12.50	750	5987170
	CHPF3743C6B*	G*VM960805CXB*	23,600	17,700	15.50	12.50	740	5986742
	CHPF3743C6B*	A*VM960805CXB*	23,600	17,700	15.50	12.50	740	5987198
	CHPF3743C6B*+EEP		23,600	17,700	14.50	12.00	750	5986681
	CHPF3743C6B*+EEP+TXV		24,000	18,000	15.00	12.50	750	5753023
	CHPF3743C6B*+TXV	A*VM960603BXB*	23,600	17,700	15.50	12.50	800	6079869
	CHPF3743C6B*+TXV	A*VC950704CXB*	23,600	17,700	15.50	12.50	750	6079819
	CHPF3743C6B*+TXV	G*VC950905CXB*	23,600	17,700	16.00	13.00	750	6079823
	CHPF3743C6B*+TXV	G*VM960603BXB*	23,600	17,700	15.50	12.50	800	6079871
	CHPF3743C6B*+TXV	G*VC950704CXB*	23,600	17,700	15.50	12.50	750	6079822
	CHPF3743C6B*+TXV	A*VC950905CXB*	23,600	17,700	16.00	13.00	750	6079820
	CHPF3743C6B*+TXV	A*VM960805CXB*	23,600	17,700	15.50	12.50	740	6079870
	CHPF3743C6B*+TXV	G*VM960805CXB*	23,600	17,700	15.50	12.50	740	6079872
	CHPF3743C6B*+TXV	A*VC950453BXB*	23,600	17,700	15.50	12.50	760	6079818
	CHPF3743C6B*+TXV	G*VC950453BXB*	23,600	17,700	15.50	12.50	760	6079821
	CSCF3036N6D*	G*VC960804CNA*	23,000	17,200	14.50	12.00	810	7355147
	CSCF3036N6D*	A*VM970804CNA*	23,000	17,200	14.50	12.00	810	7355633
	CSCF3036N6D*	A*VM970803BNA*	23,000	17,200	14.50	12.00	800	7355622
	CSCF3036N6D*	G*VC960403BNA*	23,000	17,200	14.50	12.00	805	7355114
	CSCF3036N6D*	A*VC960804CNA*	23,000	17,200	14.50	12.00	810	7355474
	CSCF3036N6D*	A*VC960603BNA*	23,000	17,200	14.50	12.00	820	7355452
	CSCF3036N6D*	A*VC950453BXB*	23,400	17,500	15.00	12.50	760	5987163
	CSCF3036N6D*	G*VC960603BNA*	23,000	17,200	14.50	12.00	820	7355125
	CSCF3036N6D*	A*VC960403BNA*	23,000	17,200	14.50	12.00	805	7355441
CSCF3036N6D*	G*VM970803BNA*	23,000	17,200	14.50	12.00	800	7355295	
CSCF3036N6D*	G*VM970804CNA*	23,000	17,200	14.50	12.00	810	7355306	
CSCF3036N6D*	G*VC950453BXB*	23,400	17,500	15.00	12.50	760	5986710	
CSCF3036N6D*	G*VM970603BNA*	23,000	17,200	14.50	12.00	820	7355284	
CSCF3036N6D*	G*VC960803BNA*	23,000	17,200	14.50	12.00	800	7355136	
CSCF3036N6D*	A*VC950704CXB*	23,400	17,500	15.00	12.50	750	5987172	
CSCF3036N6D*	G*VC950704CXB*	23,400	17,500	15.00	12.50	750	5986718	
CSCF3036N6D*	A*VC960803BNA*	23,000	17,200	14.50	12.00	800	7355463	
CSCF3036N6D*	A*VM970603BNA*	23,000	17,200	14.50	12.00	820	7355611	
CSCF3036N6D*+EEP		23,400	17,500	14.00	12.00	750	5986682	
CSCF3036N6D*+EEP+TXV		23,400	17,500	14.50	12.00	750	5983403	
CSCF3036N6D*+TXV	A*VM970603BNA*	23,000	17,200	15.00	12.00	820	7355612	

See Notes on Page 85.

OUTDOOR UNIT	0.1672		COOLING RATINGS				CFM	AHRI #
	COILS/AIR HANDLERS	FURNACES	TOTAL <sup>1</sup>	SENS. <sup>1</sup>	SEER <sup>2</sup>	EER <sup>3</sup>		
GSX16 0241F* (cont.)	CSCF3036N6D*+TXV	G*VC960403BNA*	23,000	17,200	15.00	12.00	805	7355115
	CSCF3036N6D*+TXV	A*VC960403BNA*	23,000	17,200	15.00	12.00	805	7355442
	CSCF3036N6D*+TXV	G*VC960804CNA*	23,000	17,200	15.00	12.00	810	7355148
	CSCF3036N6D*+TXV	A*VC960804CNA*	23,000	17,200	15.00	12.00	810	7355475
	CSCF3036N6D*+TXV	G*VM970803BNA*	23,000	17,200	15.00	12.00	800	7355296
	CSCF3036N6D*+TXV	A*VC960603BNA*	23,000	17,200	15.00	12.00	820	7355453
	CSCF3036N6D*+TXV	A*VM970804CNA*	23,000	17,200	15.00	12.00	810	7355634
	CSCF3036N6D*+TXV	G*VC960603BNA*	23,000	17,200	15.00	12.00	820	7355126
	CSCF3036N6D*+TXV	A*VM970803BNA*	23,000	17,200	15.00	12.00	800	7355623
	CSCF3036N6D*+TXV	G*VC960803BNA*	23,000	17,200	15.00	12.00	800	7355137
	CSCF3036N6D*+TXV	G*VM970603BNA*	23,000	17,200	15.00	12.00	820	7355285
	CSCF3036N6D*+TXV	A*VC960803BNA*	23,000	17,200	15.00	12.00	800	7355464
	CSCF3036N6D*+TXV	G*VM970804CNA*	23,000	17,200	15.00	12.00	810	7355307
	CSCF3642N6D*	G*VM970603BNA*	23,400	17,500	15.00	12.50	820	7355286
	CSCF3642N6D*	A*VM970803BNA*	23,400	17,500	15.00	12.50	800	7355624
	CSCF3642N6D*	A*VM970603BNA*	23,400	17,500	15.00	12.50	820	7355613
	CSCF3642N6D*	G*VC950905CXB*	23,400	17,500	15.00	12.50	750	5986727
	CSCF3642N6D*	G*VM970803BNA*	23,400	17,500	15.00	12.50	800	7355297
	CSCF3642N6D*	G*VC950453BXB*	23,400	17,500	14.50	12.00	760	5986711
	CSCF3642N6D*	A*VM970804CNA*	23,400	17,500	15.00	12.50	810	7355635
	CSCF3642N6D*	G*VC950704CXB*	23,400	17,500	14.00	11.50	750	5986719
	CSCF3642N6D*	A*VC960603BNA*	23,400	17,500	15.00	12.50	820	7355454
	CSCF3642N6D*	G*VC960403BNA*	23,400	17,500	15.00	12.50	805	7355116
	CSCF3642N6D*	G*VM970804CNA*	23,400	17,500	15.00	12.50	810	7355308
	CSCF3642N6D*	A*VC960403BNA*	23,400	17,500	15.00	12.50	805	7355443
	CSCF3642N6D*	A*VC950453BXB*	23,400	17,500	14.50	12.00	760	5987164
	CSCF3642N6D*	G*VC960804CNA*	23,400	17,500	15.00	12.50	810	7355149
	CSCF3642N6D*	G*VC960603BNA*	23,400	17,500	15.00	12.50	820	7355127
	CSCF3642N6D*	G*VC960803BNA*	23,400	17,500	15.00	12.50	800	7355138
	CSCF3642N6D*	A*VC950704CXB*	23,400	17,500	14.00	11.50	750	5987173
	CSCF3642N6D*	A*VC960804CNA*	23,400	17,500	15.00	12.50	810	7355476
	CSCF3642N6D*	A*VC960803BNA*	23,400	17,500	15.00	12.50	800	7355465
	CSCF3642N6D*	A*VC950905CXB*	23,400	17,500	15.00	12.50	750	5987182
	CSCF3642N6D*+EEP		23,400	17,500	14.50	12.00	750	5986683
	CSCF3642N6D*+EEP+TXV		23,400	17,500	14.50	12.00	750	5983404
	CSCF3642N6D*+TXV	G*VM970803BNA*	23,400	17,500	16.00	13.00	800	7355298
	CSCF3642N6D*+TXV	G*VC960804CNA*	23,400	17,500	16.00	13.00	810	7355150
	CSCF3642N6D*+TXV	G*VC950453BXB*	23,400	17,500	15.00	12.50	760	5983430
	CSCF3642N6D*+TXV	A*VC960804CNA*	23,400	17,500	16.00	13.00	810	7355477
	CSCF3642N6D*+TXV	G*VC950704CXB*	23,400	17,500	15.50	12.50	750	5983435
	CSCF3642N6D*+TXV	A*VC950704CXB*	23,400	17,500	15.50	12.50	750	5983881
	CSCF3642N6D*+TXV	G*VC950905CXB*	23,400	17,500	15.50	12.50	750	5983442
CSCF3642N6D*+TXV	A*VC960403BNA*	23,400	17,500	16.00	13.00	805	7355444	
CSCF3642N6D*+TXV	A*VC950905CXB*	23,400	17,500	15.50	12.50	750	5983887	
CSCF3642N6D*+TXV	G*VC960403BNA*	23,400	17,500	16.00	13.00	805	7355117	
CSCF3642N6D*+TXV	G*VC960803BNA*	23,400	17,500	16.00	13.00	800	7355139	
CSCF3642N6D*+TXV	G*VM970804CNA*	23,400	17,500	16.00	13.00	810	7355309	
CSCF3642N6D*+TXV	A*VM970803BNA*	23,400	17,500	16.00	13.00	800	7355625	
CSCF3642N6D*+TXV	A*VC950453BXB*	23,400	17,500	15.00	12.50	760	5983877	
CSCF3642N6D*+TXV	A*VM970804CNA*	23,400	17,500	16.00	13.00	810	7355636	
CSCF3642N6D*+TXV	G*VM970603BNA*	23,400	17,500	16.00	13.00	820	7355287	
CSCF3642N6D*+TXV	A*VC960603BNA*	23,400	17,500	16.00	13.00	820	7355455	
CSCF3642N6D*+TXV	A*VM970603BNA*	23,400	17,500	16.00	13.00	820	7355614	
CSCF3642N6D*+TXV	A*VC960803BNA*	23,400	17,500	16.00	13.00	800	7355466	
CSCF3642N6D*+TXV	G*VC960603BNA*	23,400	17,500	16.00	13.00	820	7355128	

See Notes on Page 85.

OUTDOOR UNIT	0.1672		COOLING RATINGS				CFM	AHRI #
	COILS/AIR HANDLERS	FURNACES	TOTAL <sup>1</sup>	SENS. <sup>1</sup>	SEER <sup>2</sup>	EER <sup>3</sup>		
GSX16 0301F*	ACNF30XX16D*		27,000	20,600	14.00	12.00	850	6107306
	ARPT36C14A*		28,000	21,400	13.50	11.50	1,050	6107334
	ARUF30C14B*+TXV		28,000	21,400	13.50	12.00	1,020	6155148
	ARUF36C14B*		28,000	21,400	13.50	11.50	1,000	6107335
	ARUF36C14B*+TXV		28,000	21,400	13.50	11.50	1,000	6107336
	ASPT30C14A*		27,600	21,000	16.00	13.00	850	5756173
	ASPT36C14A*		28,000	21,400	16.00	13.00	900	5756174
	ASUF39C14A*		29,000	22,200	14.50	12.00	900	5986754
	ASUF39C14A*+TXV		29,000	22,200	15.00	12.50	900	5983464
	AVPTC30C14A*		27,600	21,000	16.00	13.00	860	5924354
	AVPTC36C14A*		28,000	21,400	16.00	13.00	1,000	5924355
	AWUF31XX16A*		28,000	21,400	15.00	12.50	850	5753209
	AWUF31XX16A*+TXV		28,000	21,400	15.00	12.50	850	5753079
	AWUF32XX16A*		28,000	21,400	15.00	12.50	850	5753210
	AWUF32XX16A*+TXV		28,000	21,400	15.00	12.50	850	5753080
	AWUF36XX16B*+TXV		28,400	21,600	14.00	12.00	1,000	6514963
	AWUF37XX16B*		28,400	21,600	15.00	12.50	950	5753211
	AWUF37XX16B*+TXV		28,400	21,600	15.00	12.50	950	5753081
	CA*F3137*6A*	A*EC960402BNA*	28,600	21,800	15.00	12.50	935	7489458
	CA*F3137*6A*	A*EC960603BNA*	28,600	21,800	15.00	12.50	1,020	7489459
	CA*F3137*6A*	A*EC960803BNA*	28,600	21,800	14.50	12.20	1,010	7489460
	CA*F3137*6A*	A*VC80604B*B*	28,600	21,800	15.00	12.50	990	7489461
	CA*F3137*6A*	A*VC960403BNA*	28,600	21,800	15.00	12.50	985	7489462
	CA*F3137*6A*	A*VC960603BNA*	28,600	21,800	14.50	12.20	985	7489463
	CA*F3137*6A*	A*VC960803BNA*	28,600	21,800	15.00	12.50	1,025	7489464
	CA*F3137*6A*	A*VM970603BNA*	28,600	21,800	14.50	12.20	985	7489465
	CA*F3137*6A*	A*VM970803BNA*	28,600	21,800	15.00	12.50	1,025	7489466
	CA*F3137*6A*	ADVC80603B*B*	28,600	21,800	15.00	12.50	900	7489467
	CA*F3137*6A*	G*EC960402BNA*	28,600	21,800	15.00	12.50	935	7489468
	CA*F3137*6A*	G*EC960603BNA*	28,600	21,800	15.00	12.50	1,020	7489469
	CA*F3137*6A*	G*EC960803BNA*	28,600	21,800	14.50	12.20	1,010	7489470
	CA*F3137*6A*	G*VC80604B*B*	28,600	21,800	15.00	12.50	990	7489471
	CA*F3137*6A*	G*VC960403BNA*	28,600	21,800	15.00	12.50	985	7489472
	CA*F3137*6A*	G*VC960603BNA*	28,600	21,800	14.50	12.20	985	7489473
	CA*F3137*6A*	G*VC960803BNA*	28,600	21,800	15.00	12.50	1,025	7489474
	CA*F3137*6A*	G*VM970603BNA*	28,600	21,800	14.50	12.20	985	7489475
	CA*F3137*6A*	G*VM970803BNA*	28,600	21,800	15.00	12.50	1,025	7489476
	CA*F3137*6A*+EEP		28,600	21,800	14.00	12.00	1,000	7489436
	CA*F3137*6A*+EEP+TXV		28,600	21,800	14.50	12.00	1,000	7489435
	CA*F3137*6A*+MBVC1200**,-1A*		28,600	21,800	15.00	12.50	1,025	7489438
	CA*F3137*6A*+MBVC1200**,-1A*+TXV		28,600	21,800	15.00	12.50	1,025	7489437
	CA*F3137*6A*+TXV	A*EC960402BNA*	28,600	21,800	15.00	12.50	935	7489439
CA*F3137*6A*+TXV	A*EC960603BNA*	28,600	21,800	15.00	12.50	1,020	7489440	
CA*F3137*6A*+TXV	A*EC960803BNA*	28,600	21,800	15.00	12.50	1,010	7489441	
CA*F3137*6A*+TXV	A*VC80604B*B*	28,600	21,800	15.00	12.50	990	7489442	
CA*F3137*6A*+TXV	A*VC960403BNA*	28,600	21,800	15.00	12.50	985	7489443	
CA*F3137*6A*+TXV	A*VC960603BNA*	28,600	21,800	15.00	12.50	985	7489444	
CA*F3137*6A*+TXV	A*VC960803BNA*	28,600	21,800	15.00	12.50	1,025	7489445	
CA*F3137*6A*+TXV	A*VM970603BNA*	28,600	21,800	15.00	12.50	985	7489446	
CA*F3137*6A*+TXV	A*VM970803BNA*	28,600	21,800	15.00	12.50	1,025	7489447	
CA*F3137*6A*+TXV	ADVC80603B*B*	28,600	21,800	15.00	12.50	900	7489448	
CA*F3137*6A*+TXV	G*EC960402BNA*	28,600	21,800	15.00	12.50	935	7489449	
CA*F3137*6A*+TXV	G*EC960603BNA*	28,600	21,800	15.00	12.50	1,020	7489450	
CA*F3137*6A*+TXV	G*EC960803BNA*	28,600	21,800	15.00	12.50	1,010	7489451	

See Notes on Page 85.

OUTDOOR UNIT	0.1672		COOLING RATINGS				CFM	AHRI #
	COILS/AIR HANDLERS	FURNACES	TOTAL <sup>1</sup>	SENS. <sup>1</sup>	SEER <sup>2</sup>	EER <sup>3</sup>		
GSX16 0301F* (cont.)	CA*F3137*6A*+TXV	G*VC80604B*B*	28,600	21,800	15.00	12.50	990	7489452
	CA*F3137*6A*+TXV	G*VC960403BNA*	28,600	21,800	15.00	12.50	985	7489453
	CA*F3137*6A*+TXV	G*VC960603BNA*	28,600	21,800	15.00	12.50	985	7489454
	CA*F3137*6A*+TXV	G*VC960803BNA*	28,600	21,800	15.00	12.50	1,025	7489455
	CA*F3137*6A*+TXV	G*VM970603BNA*	28,600	21,800	15.00	12.50	985	7489456
	CA*F3137*6A*+TXV	G*VM970803BNA*	28,600	21,800	15.00	12.50	1,025	7489457
	CA*F3636*6D*	A*VC960603BNA*	28,400	21,600	14.50	12.00	1,000	7355491
	CA*F3636*6D*	A*VC960403BNA*	28,400	21,600	14.50	12.00	1,000	7355479
	CA*F3636*6D*	A*VM970603BNA*	28,400	21,600	14.50	12.00	1,000	7355638
	CA*F3636*6D*	A*VC960803BNA*	28,400	21,600	14.50	12.00	1,000	7355503
	CA*F3636*6D*	A*VM960604CXB*	28,400	21,600	14.50	12.00	860	5987240
	CA*F3636*6D*	G*VC960603BNA*	28,400	21,600	14.50	12.00	1,000	7355164
	CA*F3636*6D*	A*VM960603BXB*	28,400	21,600	15.00	12.50	990	5987237
	CA*F3636*6D*	G*VC950704CXB*	28,400	21,600	14.50	12.00	900	5986779
	CA*F3636*6D*	A*VC950704CXB*	28,400	21,600	14.50	12.00	900	5987212
	CA*F3636*6D*	A*VM970803BNA*	28,400	21,600	14.50	12.00	1,000	7355650
	CA*F3636*6D*	G*VC960803BNA*	28,400	21,600	14.50	12.00	1,000	7355176
	CA*F3636*6D*	G*VM970803BNA*	28,400	21,600	14.50	12.00	1,000	7355323
	CA*F3636*6D*	AMEH960603BXA*	28,400	21,600	14.00	12.00	1,000	6945081
	CA*F3636*6D*	G*VC80604B*B*	28,400	21,600	15.00	12.50	1,000	5986768
	CA*F3636*6D*	G*VC960403BNA*	28,400	21,600	14.50	12.00	1,000	7355152
	CA*F3636*6D*	G*VC950714CXB*	28,400	21,600	14.50	12.00	1,000	5986785
	CA*F3636*6D*	G*VM970603BNA*	28,400	21,600	14.50	12.00	1,000	7355311
	CA*F3636*6D*	G*VM960603BXB*	28,400	21,600	15.00	12.50	990	5986804
	CA*F3636*6D*	A*VC80604B*B*	28,400	21,600	15.00	12.50	1,000	5987201
	CA*F3636*6D*	GME950603BXA*	28,400	21,600	14.00	12.00	1,000	5986832
	CA*F3636*6D*	G*VM960604CXB*	28,400	21,600	14.50	12.00	860	5986807
	CA*F3636*6D*	A*VC950714CXB*	28,400	21,600	14.50	12.00	1,000	5987218
	CA*F3636*6D*+EEP+TXV		28,400	21,600	14.00	12.00	1,000	5983465
	CA*F3636*6D*+MBVC1200** -1A*		28,400	21,600	14.50	12.00	910	5986755
	CA*F3636*6D*+MBVC1200** -1A*+TXV		28,400	21,600	15.00	12.50	910	5983466
	CA*F3636*6D*+TXV	G*VC950704CXB*	28,400	21,600	15.00	12.50	900	5983501
	CA*F3636*6D*+TXV	A*VC960403BNA*	28,400	21,600	15.00	12.50	1,000	7355478
	CA*F3636*6D*+TXV	AMEH960603BXA*	28,400	21,600	14.50	12.00	1,000	6945083
	CA*F3636*6D*+TXV	A*VC950453BXB*	28,400	21,600	15.00	12.50	1,000	5983907
	CA*F3636*6D*+TXV	A*VC950704CXB*	28,400	21,600	15.00	12.50	900	5983911
	CA*F3636*6D*+TXV	G*VC950453BXB*	28,400	21,600	15.00	12.50	1,000	5983497
	CA*F3636*6D*+TXV	G*VM970603BNA*	28,400	21,600	15.00	12.50	1,000	7355310
	CA*F3636*6D*+TXV	A*VM970803BNA*	28,400	21,600	15.00	12.50	1,000	7355649
	CA*F3636*6D*+TXV	GME950403BXA*	28,400	21,600	15.00	12.50	990	5983553
	CA*F3636*6D*+TXV	G*VC960403BNA*	28,400	21,600	15.00	12.50	1,000	7355151
	CA*F3636*6D*+TXV	GME950603BXA*	28,400	21,600	14.50	12.00	1,000	5983557
CA*F3636*6D*+TXV	A*VC80604B*B*	28,400	21,600	15.00	12.50	1,000	5983895	
CA*F3636*6D*+TXV	G*VC80604B*B*	28,400	21,600	15.00	12.50	1,000	5983485	
CA*F3636*6D*+TXV	AMEH960403BXA*	28,400	21,600	15.00	12.50	990	6945082	
CA*F3636*6D*+TXV	G*VM970803BNA*	28,400	21,600	15.00	12.50	1,000	7355322	
CA*F3636*6D*+TXV	G*VC960603BNA*	28,400	21,600	15.00	12.50	1,000	7355163	
CA*F3636*6D*+TXV	A*VC960803BNA*	28,400	21,600	15.00	12.50	1,000	7355502	
CA*F3636*6D*+TXV	A*VC960603BNA*	28,400	21,600	15.00	12.50	1,000	7355490	
CA*F3636*6D*+TXV	G*VC960803BNA*	28,400	21,600	15.00	12.50	1,000	7355175	
CA*F3636*6D*+TXV	A*VM970603BNA*	28,400	21,600	15.00	12.50	1,000	7355637	
CA*F3642*6D*	A*VM961005DXB*	28,600	21,800	14.50	12.00	900	5987253	
CA*F3642*6D*	A*VM960604CXB*	28,600	21,800	15.00	12.50	860	5987241	
CA*F3642*6D*	A*EC961004CNA*	28,400	21,600	15.00	12.50	1,000	7365977	

See Notes on Page 85.

OUTDOOR UNIT	0.1672		COOLING RATINGS				CFM	AHRI #
	COILS/AIR HANDLERS	FURNACES	TOTAL <sup>1</sup>	SENS. <sup>1</sup>	SEER <sup>2</sup>	EER <sup>3</sup>		
GSX16 0301F* (cont.)	CA*F3642*6D*	G*VC80805C*B*	28,600	21,800	15.00	12.50	980	5986770
	CA*F3642*6D*	G*VC950915DXB*	28,600	21,800	15.00	12.50	1,000	5986797
	CA*F3642*6D*	G*EC960302BNA*	28,400	21,600	14.50	12.00	980	7365787
	CA*F3642*6D*	G*VM960805DXB*	28,600	21,800	15.00	12.50	1,000	5986816
	CA*F3642*6D*	A*VC80805C*B*	28,600	21,800	15.00	12.50	980	5987203
	CA*F3642*6D*	AMEH960603BXA*	28,600	21,800	14.50	12.00	1,000	6945084
	CA*F3642*6D*	G*VC950704CXB*	28,600	21,800	15.00	12.50	900	5986780
	CA*F3642*6D*	G*VM961155DXB*	28,600	21,800	14.50	12.00	1,000	5986824
	CA*F3642*6D*	A*VC950915DXB*	28,600	21,800	15.00	12.50	1,000	5987230
	CA*F3642*6D*	A*EC960302BNA*	28,400	21,600	14.50	12.00	980	7365949
	CA*F3642*6D*	G*EC961004CNA*	28,400	21,600	15.00	12.50	1,000	7365815
	CA*F3642*6D*	A*VC950704CXB*	28,600	21,800	15.00	12.50	900	5987213
	CA*F3642*6D*	A*VC950714CXB*	28,600	21,800	15.00	12.50	1,000	5987219
	CA*F3642*6D*	A*VC950905DXB*	28,600	21,800	15.00	12.50	1,000	5987227
	CA*F3642*6D*	G*EC960402BNA*	28,400	21,600	14.50	12.00	980	7365794
	CA*F3642*6D*	A*VC950905CXB*	28,600	21,800	15.00	12.50	900	5987223
	CA*F3642*6D*	A*EC960803BNA*	28,400	21,600	14.50	12.00	1,000	7365970
	CA*F3642*6D*	GME950603BXA*	28,600	21,800	14.50	12.00	1,000	5986833
	CA*F3642*6D*	G*VC950714CXB*	28,600	21,800	15.00	12.50	1,000	5986786
	CA*F3642*6D*	ADVC81005C*B*	28,600	21,800	15.00	12.50	1,000	5986829
	CA*F3642*6D*	G*VC81005C*B*	28,600	21,800	15.00	12.50	1,000	5986774
	CA*F3642*6D*	G*EC960603BNA*	28,400	21,600	14.50	12.00	1,000	7365801
	CA*F3642*6D*	A*EC960402BNA*	28,400	21,600	14.50	12.00	980	7365956
	CA*F3642*6D*	A*VC81005C*B*	28,600	21,800	15.00	12.50	1,000	5987207
	CA*F3642*6D*	A*VM961155DXB*	28,600	21,800	14.50	12.00	1,000	5987257
	CA*F3642*6D*	G*VM960805CXB*	28,600	21,800	15.00	12.50	980	5986812
	CA*F3642*6D*	G*VM961005DXB*	28,600	21,800	14.50	12.00	900	5986820
	CA*F3642*6D*	A*EC960603BNA*	28,400	21,600	14.50	12.00	1,000	7365963
	CA*F3642*6D*	ADVC80805C*B*	28,600	21,800	15.00	12.50	990	5986828
	CA*F3642*6D*	G*VC950905CXB*	28,600	21,800	15.00	12.50	900	5986790
	CA*F3642*6D*	G*EC960803BNA*	28,400	21,600	14.50	12.00	1,000	7365808
	CA*F3642*6D*	G*VM960604CXB*	28,600	21,800	15.00	12.50	860	5986808
	CA*F3642*6D*	A*VM960805DXB*	28,600	21,800	15.00	12.50	1,000	5987249
	CA*F3642*6D*	A*VM960805CXB*	28,600	21,800	15.00	12.50	980	5987245
	CA*F3642*6D*	G*VC950905DXB*	28,600	21,800	15.00	12.50	1,000	5986794
	CA*F3642*6D*	A*VC951155DXB*	28,600	21,800	15.00	12.50	900	5987233
	CA*F3642*6D*	G*VC951155DXB*	28,600	21,800	15.00	12.50	900	5986800
	CA*F3642*6D*+EEP		28,600	21,800	14.00	12.00	1,000	5986756
	CA*F3642*6D*+TXV	G*VC80805C*B*	28,600	21,800	15.50	12.50	980	5983488
	CA*F3642*6D*+TXV	ADVC80805C*B*	28,600	21,800	15.50	12.50	990	5983551
	CA*F3642*6D*+TXV	ADVC81005C*B*	28,600	21,800	15.50	12.50	1,000	5983552
	CA*F3642*6D*+TXV	A*VC950905DXB*	28,600	21,800	15.50	12.50	1,000	5983927
CA*F3642*6D*+TXV	G*EC960302BNA*	28,400	21,600	15.00	12.50	980	7365788	
CA*F3642*6D*+TXV	A*VM960805DXB*	28,600	21,800	15.00	12.50	1,000	5983946	
CA*F3642*6D*+TXV	G*VC951155DXB*	28,600	21,800	15.50	12.50	900	5983524	
CA*F3642*6D*+TXV	G*E81005C*B*	28,600	21,800	15.00	12.50	1,000	5983480	
CA*F3642*6D*+TXV	G*E80603B*B*	28,600	21,800	15.00	12.50	1,000	5983475	
CA*F3642*6D*+TXV	A*VM960805CXB*	28,600	21,800	15.00	12.50	980	5983941	
CA*F3642*6D*+TXV	G*VC950905CXB*	28,600	21,800	15.50	12.50	900	5983512	
CA*F3642*6D*+TXV	A*EC960603BNA*	28,400	21,600	15.00	12.50	1,000	7365964	
CA*F3642*6D*+TXV	G*VM960805DXB*	28,600	21,800	15.00	12.50	1,000	5983536	
CA*F3642*6D*+TXV	A*EC961004CNA*	28,400	21,600	15.50	12.50	1,000	7365978	
CA*F3642*6D*+TXV	G*VC950704CXB*	28,600	21,800	15.00	12.50	900	5983502	
CA*F3642*6D*+TXV	G*EC961004CNA*	28,400	21,600	15.50	12.50	1,000	7365816	

See Notes on Page 85.

OUTDOOR UNIT	0.1672		COOLING RATINGS				CFM	AHRI #
	COILS/AIR HANDLERS	FURNACES	TOTAL <sup>1</sup>	SENS. <sup>1</sup>	SEER <sup>2</sup>	EER <sup>3</sup>		
GSX16 0301F* (cont.)	CA*F3642*6D*+TXV	AMEH960603BXA*	28,600	21,800	15.00	12.50	1,000	6945088
	CA*F3642*6D*+TXV	A*EH801005C*A*	28,600	21,800	15.00	12.50	1,000	6945087
	CA*F3642*6D*+TXV	A*EC960402BNA*	28,400	21,600	15.00	12.50	980	7365957
	CA*F3642*6D*+TXV	A*VM961155DXB*	28,600	21,800	15.00	12.50	1,000	5983956
	CA*F3642*6D*+TXV	G*EC960603BNA*	28,400	21,600	15.00	12.50	1,000	7365802
	CA*F3642*6D*+TXV	G*EC960803BNA*	28,400	21,600	15.00	12.50	1,000	7365809
	CA*F3642*6D*+TXV	A*VM961005DXB*	28,600	21,800	15.00	12.50	900	5983951
	CA*F3642*6D*+TXV	GME950603BXA*	28,600	21,800	15.00	12.50	1,000	5983558
	CA*F3642*6D*+TXV	G*E80805C*B*	28,600	21,800	15.00	12.50	1,000	5983476
	CA*F3642*6D*+TXV	A*VC80805C*B*	28,600	21,800	15.50	12.50	980	5983898
	CA*F3642*6D*+TXV	G*VM960805CXB*	28,600	21,800	15.00	12.50	980	5983531
	CA*F3642*6D*+TXV	A*VC81005C*B*	28,600	21,800	15.50	12.50	1,000	5983903
	CA*F3642*6D*+TXV	A*EC960302BNA*	28,400	21,600	15.00	12.50	980	7365950
	CA*F3642*6D*+TXV	G*EC960402BNA*	28,400	21,600	15.00	12.50	980	7365795
	CA*F3642*6D*+TXV	A*VC951155DXB*	28,600	21,800	15.50	12.50	900	5983934
	CA*F3642*6D*+TXV	G*VC81005C*B*	28,600	21,800	15.50	12.50	1,000	5983493
	CA*F3642*6D*+TXV	A*VC950905CXB*	28,600	21,800	15.50	12.50	900	5983922
	CA*F3642*6D*+TXV	A*EH800805C*A*	28,600	21,800	15.00	12.50	1,000	6945086
	CA*F3642*6D*+TXV	G*VM961005DXB*	28,600	21,800	15.00	12.50	900	5983541
	CA*F3642*6D*+TXV	G*VM961155DXB*	28,600	21,800	15.00	12.50	1,000	5983546
	CA*F3642*6D*+TXV	G*VC950905DXB*	28,600	21,800	15.50	12.50	1,000	5983517
	CA*F3642*6D*+TXV	A*EH800603B*A*	28,600	21,800	15.00	12.50	1,000	6945085
	CA*F3642*6D*+TXV	A*EC960803BNA*	28,400	21,600	15.00	12.50	1,000	7365971
	CA*F3642*6D*+TXV	A*VC950704CXB*	28,600	21,800	15.00	12.50	900	5983912
	CA*F3743*6D*	G*EC960603BNA*	28,600	21,800	15.00	12.50	1,000	7365803
	CA*F3743*6D*	G*VM970803BNA*	28,600	21,800	15.00	12.50	1,000	7355325
	CA*F3743*6D*	G*EC960803BNA*	28,600	21,800	15.00	12.50	1,000	7365810
	CA*F3743*6D*	A*VM970603BNA*	28,600	21,800	15.00	12.50	1,000	7355640
	CA*F3743*6D*	G*VC960803BNA*	28,600	21,800	15.00	12.50	1,000	7355178
	CA*F3743*6D*	G*VC81005C*B*	29,000	22,200	15.50	12.50	1,000	5986775
	CA*F3743*6D*	A*EC960603BNA*	28,600	21,800	15.00	12.50	1,000	7365965
	CA*F3743*6D*	A*VC950915DXB*	28,600	21,800	15.50	12.50	1,000	5987231
	CA*F3743*6D*	G*VC950905DXB*	28,600	21,800	15.50	12.50	1,000	5986795
	CA*F3743*6D*	A*VM960805CXB*	28,600	21,800	15.50	12.50	980	5987246
	CA*F3743*6D*	A*EC960302BNA*	28,600	21,800	15.00	12.50	980	7365951
	CA*F3743*6D*	A*VC960803BNA*	28,600	21,800	15.00	12.50	1,000	7355505
	CA*F3743*6D*	G*VM970603BNA*	28,600	21,800	15.00	12.50	1,000	7355313
	CA*F3743*6D*	A*VC960603BNA*	28,600	21,800	15.00	12.50	1,000	7355493
	CA*F3743*6D*	A*VC81005C*B*	29,000	22,200	15.50	12.50	1,000	5987208
	CA*F3743*6D*	G*VM960805CXB*	28,600	21,800	15.50	12.50	980	5986813
	CA*F3743*6D*	A*VC950704CXB*	28,600	21,800	15.50	12.50	900	5987214
	CA*F3743*6D*	A*VC950714CXB*	28,600	21,800	15.50	12.50	1,000	5987220
CA*F3743*6D*	G*VM960604CXB*	28,600	21,800	15.50	12.50	860	5986809	
CA*F3743*6D*	AMEH960805CXA*	28,600	21,800	15.50	12.50	1,070	6945091	
CA*F3743*6D*	G*VC950714CXB*	28,600	21,800	15.50	12.50	1,000	5986787	
CA*F3743*6D*	GME950805CXA*	28,600	21,800	15.50	12.50	1,070	5986836	
CA*F3743*6D*	AMEH960403BXA*	28,600	21,800	14.50	12.00	990	6945090	
CA*F3743*6D*	A*VM970803BNA*	28,600	21,800	15.00	12.50	1,000	7355652	
CA*F3743*6D*	A*VC950905CXB*	28,600	21,800	15.50	12.50	900	5987224	
CA*F3743*6D*	G*VC951155DXB*	28,600	21,800	15.00	12.50	900	5986801	
CA*F3743*6D*	G*EC960302BNA*	28,600	21,800	15.00	12.50	980	7365789	
CA*F3743*6D*	G*VM960603BXB*	28,600	21,800	15.00	12.50	990	5986805	
CA*F3743*6D*	A*VC950453BXB*	28,600	21,800	15.00	12.50	1,000	5987210	
CA*F3743*6D*	G*VM961155DXB*	28,600	21,800	15.50	12.50	1,000	5986825	

See Notes on Page 85.

OUTDOOR UNIT	0.1672		COOLING RATINGS				CFM	AHRI #	
	COILS/AIR HANDLERS	FURNACES	TOTAL <sup>1</sup>	SENS. <sup>1</sup>	SEER <sup>2</sup>	EER <sup>3</sup>			
GSX16 0301F* (cont.)	CA*F3743*6D*	A*VC80805C*B*	28,600	21,800	15.50	12.50	980	5987204	
	CA*F3743*6D*	A*VM960604CXB*	28,600	21,800	15.50	12.50	860	5987242	
	CA*F3743*6D*	A*EC960803BNA*	28,600	21,800	15.00	12.50	1,000	7365972	
	CA*F3743*6D*	A*VM960805DXB*	28,600	21,800	15.50	12.50	1,000	5987250	
	CA*F3743*6D*	G*E80805C*B*	28,600	21,800	14.50	12.00	1,000	5986764	
	CA*F3743*6D*	G*VC950453BXB*	28,600	21,800	15.00	12.50	1,000	5986777	
	CA*F3743*6D*	G*VM961005DXB*	28,600	21,800	15.50	12.50	900	5986821	
	CA*F3743*6D*	A*VC960403BNA*	28,600	21,800	15.00	12.50	1,000	7355481	
	CA*F3743*6D*	G*VM960805DXB*	28,600	21,800	15.50	12.50	1,000	5986817	
	CA*F3743*6D*	GME950403BXA*	28,600	21,800	14.50	12.00	990	5986830	
	CA*F3743*6D*	G*VC80805C*B*	28,600	21,800	15.50	12.50	980	5986771	
	CA*F3743*6D*	A*EH800805C*A*	28,600	21,800	14.50	12.00	1,000	6945089	
	CA*F3743*6D*	A*VM960603BXB*	28,600	21,800	15.00	12.50	990	5987238	
	CA*F3743*6D*	A*EC961004CNA*	28,600	21,800	15.50	12.50	1,000	7365979	
	CA*F3743*6D*	A*VC950905DXB*	28,600	21,800	15.50	12.50	1,000	5987228	
	CA*F3743*6D*	G*VC960603BNA*	28,600	21,800	15.00	12.50	1,000	7355166	
	CA*F3743*6D*	A*VM961005DXB*	28,600	21,800	15.50	12.50	900	5987254	
	CA*F3743*6D*	A*VC951155DXB*	28,600	21,800	15.00	12.50	900	5987234	
	CA*F3743*6D*	A*VM961155DXB*	28,600	21,800	15.50	12.50	1,000	5987258	
	CA*F3743*6D*	A*EC960402BNA*	28,600	21,800	15.00	12.50	980	7365958	
	CA*F3743*6D*	G*VC950704CXB*	28,600	21,800	15.50	12.50	900	5986781	
	CA*F3743*6D*	G*VC960403BNA*	28,600	21,800	15.00	12.50	1,000	7355154	
	CA*F3743*6D*	G*VC950915DXB*	28,600	21,800	15.50	12.50	1,000	5986798	
	CA*F3743*6D*	G*EC960402BNA*	28,600	21,800	15.00	12.50	980	7365796	
	CA*F3743*6D*	G*EC961004CNA*	28,600	21,800	15.50	12.50	1,000	7365817	
	CA*F3743*6D*	G*VC950905CXB*	28,600	21,800	15.50	12.50	900	5986791	
	CA*F3743*6D*+EEP+TXV			29,000	22,200	14.50	12.00	1,000	5753028
	CA*F3743*6D*+MBVC1200**-1A*			28,600	21,800	14.50	12.00	910	5990716
	CA*F3743*6D*+MBVC1200**-1A*+TXV			28,600	21,800	15.00	12.50	910	5990717
	CA*F3743*6D*+MBVC1600**-1A*			28,600	21,800	14.50	12.00	945	5986757
	CA*F3743*6D*+MBVC1600**-1A*+TXV			28,600	21,800	15.00	12.50	945	5983467
	CA*F3743*6D*+TXV	A*VC950453BXB*		28,600	21,800	15.50	12.50	1,000	5983908
	CA*F3743*6D*+TXV	A*VC960603BNA*		28,600	21,800	16.00	13.00	1,000	7355492
	CA*F3743*6D*+TXV	G*VM961155DXB*		28,600	21,800	16.00	13.00	1,000	5983547
	CA*F3743*6D*+TXV	A*VC950714CXB*		28,600	21,800	15.50	12.50	1,000	5983918
	CA*F3743*6D*+TXV	A*EH800805C*A*		29,000	22,200	16.00	13.00	1,050	6945092
	CA*F3743*6D*+TXV	AMEH960805CXA*		29,000	22,200	16.00	13.00	1,050	6945096
	CA*F3743*6D*+TXV	GME950805CXA*		29,000	22,200	16.00	13.00	1,050	5753034
	CA*F3743*6D*+TXV	A*EC960803BNA*		28,600	21,800	16.00	13.00	1,000	7365973
	CA*F3743*6D*+TXV	G*VC960403BNA*		28,600	21,800	16.00	13.00	1,000	7355153
	CA*F3743*6D*+TXV	G*VC950704CXB*		28,600	21,800	15.00	12.50	900	5983503
	CA*F3743*6D*+TXV	G*VC960603BNA*		28,600	21,800	16.00	13.00	1,000	7355165
CA*F3743*6D*+TXV	A*EH801005C*A*		28,600	21,800	15.00	12.50	1,000	6945093	
CA*F3743*6D*+TXV	G*VC950915DXB*		28,600	21,800	16.00	13.00	1,000	5983521	
CA*F3743*6D*+TXV	G*VC951155DXB*		28,600	21,800	15.50	12.50	900	5983525	
CA*F3743*6D*+TXV	G*VC80805C*B*		28,600	21,800	16.00	13.00	980	5983489	
CA*F3743*6D*+TXV	G*VM960805CXB*		28,600	21,800	15.00	12.50	980	5983532	
CA*F3743*6D*+TXV	GME950603BXA*		28,600	21,800	15.00	12.50	1,000	5983559	
CA*F3743*6D*+TXV	G*VC950453BXB*		28,600	21,800	15.50	12.50	1,000	5983498	
CA*F3743*6D*+TXV	A*VM960805DXB*		28,600	21,800	15.00	12.50	1,000	5983947	
CA*F3743*6D*+TXV	G*VM960805DXB*		28,600	21,800	15.00	12.50	1,000	5983537	
CA*F3743*6D*+TXV	A*EC960402BNA*		28,600	21,800	16.00	13.00	980	7365959	
CA*F3743*6D*+TXV	A*VC951155DXB*		28,600	21,800	15.50	12.50	900	5983935	
CA*F3743*6D*+TXV	A*VM961005DXB*		28,600	21,800	16.00	13.00	900	5983952	

See Notes on Page 85.

OUTDOOR UNIT	0.1672		COOLING RATINGS				CFM	AHRI #
	COILS/AIR HANDLERS	FURNACES	TOTAL <sup>1</sup>	SENS. <sup>1</sup>	SEER <sup>2</sup>	EER <sup>3</sup>		
GSX16 0301F* (cont.)	CA*F3743*6D*+TXV	G*VM970603BNA*	28,600	21,800	16.00	13.00	1,000	7355312
	CA*F3743*6D*+TXV	G*VC81005C*B*	28,600	21,800	16.00	13.00	1,000	5983494
	CA*F3743*6D*+TXV	A*VC960403BNA*	28,600	21,800	16.00	13.00	1,000	7355480
	CA*F3743*6D*+TXV	G*VC950905DXB*	28,600	21,800	16.00	13.00	1,000	5983518
	CA*F3743*6D*+TXV	G*EC960302BNA*	28,600	21,800	16.00	13.00	980	7365790
	CA*F3743*6D*+TXV	A*VC950905CXB*	28,600	21,800	16.00	13.00	900	5983923
	CA*F3743*6D*+TXV	AMEH960603BXA*	28,600	21,800	15.00	12.50	1,000	6945095
	CA*F3743*6D*+TXV	A*VM970803BNA*	28,600	21,800	16.00	13.00	1,000	7355651
	CA*F3743*6D*+TXV	A*VC950704CXB*	28,600	21,800	15.00	12.50	900	5983913
	CA*F3743*6D*+TXV	G*VC950905CXB*	28,600	21,800	16.00	13.00	900	5983513
	CA*F3743*6D*+TXV	G*EC960803BNA*	28,600	21,800	16.00	13.00	1,000	7365811
	CA*F3743*6D*+TXV	A*EC960603BNA*	28,600	21,800	16.00	13.00	1,000	7365966
	CA*F3743*6D*+TXV	A*VM970603BNA*	28,600	21,800	16.00	13.00	1,000	7355639
	CA*F3743*6D*+TXV	A*EC960302BNA*	28,600	21,800	16.00	13.00	980	7365952
	CA*F3743*6D*+TXV	G*VM961005DXB*	28,600	21,800	16.00	13.00	900	5983542
	CA*F3743*6D*+TXV	A*VM961155DXB*	28,600	21,800	16.00	13.00	1,000	5983957
	CA*F3743*6D*+TXV	A*VC80805C*B*	28,600	21,800	16.00	13.00	980	5983899
	CA*F3743*6D*+TXV	AMEH960403BXA*	28,600	21,800	15.00	12.50	990	6945094
	CA*F3743*6D*+TXV	GME950403BXA*	28,600	21,800	15.00	12.50	990	5983554
	CA*F3743*6D*+TXV	G*VC950714CXB*	28,600	21,800	15.50	12.50	1,000	5983508
	CA*F3743*6D*+TXV	A*EC961004CNA*	28,600	21,800	16.00	13.00	1,000	7365980
	CA*F3743*6D*+TXV	G*E80805C*B*	29,000	22,200	16.00	13.00	1,050	5753032
	CA*F3743*6D*+TXV	G*EC960603BNA*	28,600	21,800	16.00	13.00	1,000	7365804
	CA*F3743*6D*+TXV	G*VC960803BNA*	28,600	21,800	16.00	13.00	1,000	7355177
	CA*F3743*6D*+TXV	A*VC950905DXB*	28,600	21,800	16.00	13.00	1,000	5983928
	CA*F3743*6D*+TXV	A*VM960805CXB*	28,600	21,800	15.00	12.50	980	5983942
	CA*F3743*6D*+TXV	G*VM970803BNA*	28,600	21,800	16.00	13.00	1,000	7355324
	CA*F3743*6D*+TXV	G*EC961004CNA*	28,600	21,800	16.00	13.00	1,000	7365818
	CA*F3743*6D*+TXV	A*VC950915DXB*	28,600	21,800	16.00	13.00	1,000	5983931
	CA*F3743*6D*+TXV	A*VC960803BNA*	28,600	21,800	16.00	13.00	1,000	7355504
	CA*F3743*6D*+TXV	G*E81005C*B*	28,600	21,800	15.00	12.50	1,000	5983481
	CA*F3743*6D*+TXV	G*EC960402BNA*	28,600	21,800	16.00	13.00	980	7365797
	CA*F3743*6D*+TXV	A*VC81005C*B*	28,600	21,800	16.00	13.00	1,000	5983904
	CA*F4860*6D*	G*VC950915DXB*	28,600	21,800	15.50	12.50	1,000	5986799
	CA*F4860*6D*	A*VM961005DXB*	28,600	21,800	15.50	12.50	900	5987255
	CA*F4860*6D*	A*VC950905DXB*	28,600	21,800	15.50	12.50	1,000	5987229
	CA*F4860*6D*	A*VC960804CNA*	28,600	21,800	15.00	12.50	1,000	7355515
	CA*F4860*6D*	G*VM961155DXB*	28,600	21,800	15.50	12.50	1,000	5986826
	CA*F4860*6D*	A*VM960805CXB*	28,600	21,800	15.00	12.50	980	5987247
	CA*F4860*6D*	A*VM960805DXB*	28,600	21,800	15.50	12.50	1,000	5987251
	CA*F4860*6D*	G*VC950905CXB*	28,600	21,800	15.50	12.50	900	5986792
	CA*F4860*6D*	A*VC950905CXB*	28,600	21,800	15.50	12.50	900	5987225
CA*F4860*6D*	A*VC950915DXB*	28,600	21,800	15.50	12.50	1,000	5987232	
CA*F4860*6D*	G*VM961005DXB*	28,600	21,800	15.50	12.50	900	5986822	
CA*F4860*6D*	G*VM970804CNA*	28,600	21,800	15.00	12.50	1,000	7355335	
CA*F4860*6D*	A*VM961155DXB*	28,600	21,800	15.50	12.50	1,000	5987259	
CA*F4860*6D*	A*VM970804CNA*	28,600	21,800	15.00	12.50	1,000	7355662	
CA*F4860*6D*	G*VC950714CXB*	28,600	21,800	15.50	12.50	1,000	5986788	
CA*F4860*6D*	G*VC951155DXB*	28,600	21,800	15.50	12.50	900	5986802	
CA*F4860*6D*	G*VC960804CNA*	28,600	21,800	15.00	12.50	1,000	7355188	
CA*F4860*6D*	A*VC951155DXB*	28,600	21,800	15.50	12.50	900	5987235	
CA*F4860*6D*	G*VM960805DXB*	28,600	21,800	15.50	12.50	1,000	5986818	
CA*F4860*6D*	A*VC950714CXB*	28,600	21,800	15.50	12.50	1,000	5987221	
CA*F4860*6D*	G*VM960805CXB*	28,600	21,800	15.00	12.50	980	5986814	

See Notes on Page 85.

OUTDOOR UNIT	0.1672		COOLING RATINGS				CFM	AHRI #
	COILS/AIR HANDLERS	FURNACES	TOTAL <sup>1</sup>	SENS. <sup>1</sup>	SEER <sup>2</sup>	EER <sup>3</sup>		
GSX16 0301F* (cont.)	CA*F4860*6D*	G*VC950905DXB*	28,600	21,800	15.50	12.50	1,000	5986796
	CA*F4860*6D*+TXV	G*VM960805DXB*	28,600	21,800	15.00	12.50	1,000	5983538
	CA*F4860*6D*+TXV	A*VC960804CNA*	28,600	21,800	16.00	13.00	1,000	7355514
	CA*F4860*6D*+TXV	G*VC960804CNA*	28,600	21,800	16.00	13.00	1,000	7355187
	CA*F4860*6D*+TXV	G*VC950905DXB*	28,600	21,800	16.00	13.00	1,000	5983519
	CA*F4860*6D*+TXV	A*VM960805CXB*	28,600	21,800	15.50	12.50	980	5983943
	CA*F4860*6D*+TXV	G*VC950905CXB*	28,600	21,800	16.00	13.00	900	5983514
	CA*F4860*6D*+TXV	A*VM961005DXB*	28,600	21,800	16.00	13.00	900	5983953
	CA*F4860*6D*+TXV	G*VC950704CXB*	28,600	21,800	16.00	13.00	900	6605863
	CA*F4860*6D*+TXV	G*VC950915DXB*	28,600	21,800	16.00	13.00	1,000	5983522
	CA*F4860*6D*+TXV	A*VM961155DXB*	28,600	21,800	16.00	13.00	1,000	5983958
	CA*F4860*6D*+TXV	A*VC950905DXB*	28,600	21,800	16.00	13.00	1,000	5983929
	CA*F4860*6D*+TXV	A*VM960805DXB*	28,600	21,800	15.00	12.50	1,000	5983948
	CA*F4860*6D*+TXV	A*VM970804CNA*	28,600	21,800	16.00	13.00	1,000	7355661
	CA*F4860*6D*+TXV	G*VM961155DXB*	28,600	21,800	16.00	13.00	1,000	5983548
	CA*F4860*6D*+TXV	A*VC950704CXB*	28,600	21,800	16.00	13.00	900	6605862
	CA*F4860*6D*+TXV	G*VC951155DXB*	28,600	21,800	16.00	13.00	900	5983526
	CA*F4860*6D*+TXV	A*VC950714CXB*	28,600	21,800	16.00	13.00	1,000	5983919
	CA*F4860*6D*+TXV	G*VC950714CXB*	28,600	21,800	16.00	13.00	1,000	5983509
	CA*F4860*6D*+TXV	A*VC950915DXB*	28,600	21,800	16.00	13.00	1,000	5983932
	CA*F4860*6D*+TXV	A*VC951155DXB*	28,600	21,800	16.00	13.00	900	5983936
	CA*F4860*6D*+TXV	G*VM960805CXB*	28,600	21,800	15.50	12.50	980	5983533
	CA*F4860*6D*+TXV	G*VM961005DXB*	28,600	21,800	16.00	13.00	900	5983543
	CA*F4860*6D*+TXV	A*VC950905CXB*	28,600	21,800	16.00	13.00	900	5983924
	CA*F4860*6D*+TXV	G*VM970804CNA*	28,600	21,800	16.00	13.00	1,000	7355334
	CA*F4961*6D*+EEP+TXV		29,400	22,400	15.00	12.50	1,000	5753029
	CAPT3743*4A*	A*VC960804CNA*	28,600	21,800	15.50	12.50	1,000	7355516
	CAPT3743*4A*	A*VM970803BNA*	28,600	21,800	15.50	12.50	1,000	7355653
	CAPT3743*4A*	A*EC960803BNA*	28,600	21,800	15.00	12.50	1,000	7365974
	CAPT3743*4A*	A*VM970804CNA*	28,600	21,800	15.50	12.50	1,000	7355663
	CAPT3743*4A*	G*VM970803BNA*	28,600	21,800	15.50	12.50	1,000	7355326
	CAPT3743*4A*	G*VM970804CNA*	28,600	21,800	15.50	12.50	1,000	7355336
	CAPT3743*4A*	AMEH960403BXA*	28,600	21,800	15.00	12.50	990	6945100
	CAPT3743*4A*	A*EC960603BNA*	28,600	21,800	15.00	12.50	1,000	7365967
	CAPT3743*4A*	G*EC961004CNA*	28,600	21,800	15.50	12.50	1,000	7365819
	CAPT3743*4A*	A*VC960603BNA*	28,600	21,800	15.50	12.50	1,000	7355494
	CAPT3743*4A*	A*VM960604CXB*	28,600	21,800	15.00	12.50	860	5983940
	CAPT3743*4A*	A*VC80604B*B*	28,600	21,800	15.00	12.50	1,000	5983896
	CAPT3743*4A*	G*E80603B*B*	28,600	21,800	15.00	12.50	1,050	6494119
	CAPT3743*4A*	G*VC960603BNA*	28,600	21,800	15.50	12.50	1,000	7355167
	CAPT3743*4A*	G*VC960804CNA*	28,600	21,800	15.50	12.50	1,000	7355189
	CAPT3743*4A*	G*EC960402BNA*	28,600	21,800	15.00	12.50	980	7365798
	CAPT3743*4A*	A*VM960603BXB*	28,600	21,800	15.00	12.50	990	5983939
	CAPT3743*4A*	A*VM970603BNA*	28,600	21,800	15.50	12.50	1,000	7355641
	CAPT3743*4A*	G*VC81005C*B*	28,600	21,800	16.00	13.00	1,000	5983495
	CAPT3743*4A*	ADVC80603B*B*	28,600	21,800	15.00	12.50	1,000	6494120
	CAPT3743*4A*	G*E80805C*B*	28,600	21,800	15.00	12.50	1,000	5983477
CAPT3743*4A*	A*VM960805DXB*	28,600	21,800	15.50	12.50	1,000	5983949	
CAPT3743*4A*	G*VC950704CXB*	28,600	21,800	15.50	12.50	900	5983504	
CAPT3743*4A*	GME950603BXA*	28,600	21,800	15.00	12.50	1,000	5983560	
CAPT3743*4A*	G*VC950714CXB*	28,600	21,800	15.50	12.50	1,000	5983510	
CAPT3743*4A*	A*VM961005DXB*	28,600	21,800	16.00	13.00	900	5983954	
CAPT3743*4A*	G*VM961005DXB*	28,600	21,800	16.00	13.00	900	5983544	
CAPT3743*4A*	G*EC960603BNA*	28,600	21,800	15.00	12.50	1,000	7365805	

OUTDOOR UNIT	0.1672		COOLING RATINGS				CFM	AHRI #
	COILS/AIR HANDLERS	FURNACES	TOTAL <sup>1</sup>	SENS. <sup>1</sup>	SEER <sup>2</sup>	EER <sup>3</sup>		
GSX16 0301F* (cont.)	CAPT3743*4A*	G*VC950905CXB*	28,600	21,800	16.00	13.00	900	5983515
	CAPT3743*4A*	G*VC80805C*B*	28,600	21,800	16.00	13.00	980	5983490
	CAPT3743*4A*	G*VC950915DXB*	28,600	21,800	15.50	12.50	1,000	5983523
	CAPT3743*4A*	A*EC960402BNA*	28,600	21,800	15.00	12.50	980	7365960
	CAPT3743*4A*	G*VM970603BNA*	28,600	21,800	15.50	12.50	1,000	7355314
	CAPT3743*4A*	G*VM961155DXB*	28,600	21,800	15.50	12.50	1,000	5983549
	CAPT3743*4A*	GME950403BXA*	28,600	21,800	15.00	12.50	990	5983555
	CAPT3743*4A*	A*VC950453BXB*	28,600	21,800	15.50	12.50	1,000	5983909
	CAPT3743*4A*	ADVC80805C*B*	28,600	21,800	15.00	12.50	1,000	6494121
	CAPT3743*4A*	A*VC81005C*B*	28,600	21,800	16.00	13.00	1,000	5983905
	CAPT3743*4A*	G*VM960603BXB*	28,600	21,800	15.00	12.50	990	5983529
	CAPT3743*4A*	A*VC80805C*B*	28,600	21,800	16.00	13.00	980	5983900
	CAPT3743*4A*	G*EC960302BNA*	28,600	21,800	15.00	12.50	980	7365791
	CAPT3743*4A*	G*E81005C*B*	28,600	21,800	15.00	12.50	1,000	5983482
	CAPT3743*4A*	A*VM961155DXB*	28,600	21,800	15.50	12.50	1,000	5983959
	CAPT3743*4A*	AMEH960603BXA*	28,600	21,800	15.00	12.50	1,000	6945101
	CAPT3743*4A*	G*VC950905DXB*	28,600	21,800	16.00	13.00	1,000	5983520
	CAPT3743*4A*	A*VC951155DXB*	28,600	21,800	16.00	13.00	900	5983937
	CAPT3743*4A*	A*VM960805CXB*	28,600	21,800	15.50	12.50	980	5983944
	CAPT3743*4A*	A*EH800603B*A*	28,600	21,800	15.00	12.50	1,050	6945097
	CAPT3743*4A*	A*VC950905DXB*	28,600	21,800	16.00	13.00	1,000	5983930
	CAPT3743*4A*	A*VC960403BNA*	28,600	21,800	15.50	12.50	1,000	7355482
	CAPT3743*4A*	A*EH801005C*A*	28,600	21,800	15.00	12.50	1,000	6945099
	CAPT3743*4A*	G*VC960803BNA*	28,600	21,800	15.50	12.50	1,000	7355179
	CAPT3743*4A*	G*VM960604CXB*	28,600	21,800	15.00	12.50	860	5983530
	CAPT3743*4A*	G*VC960403BNA*	28,600	21,800	15.50	12.50	1,000	7355155
	CAPT3743*4A*	G*EC960803BNA*	28,600	21,800	15.00	12.50	1,000	7365812
	CAPT3743*4A*	A*VC950905CXB*	28,600	21,800	16.00	13.00	900	5983925
	CAPT3743*4A*	A*VC960803BNA*	28,600	21,800	15.50	12.50	1,000	7355506
	CAPT3743*4A*	A*VC950915DXB*	28,600	21,800	15.50	12.50	1,000	5983933
	CAPT3743*4A*	A*EC961004CNA*	28,600	21,800	15.50	12.50	1,000	7365981
	CAPT3743*4A*	A*EH800805C*A*	28,600	21,800	15.00	12.50	1,000	6945098
	CAPT3743*4A*	G*VC950453BXB*	28,600	21,800	15.50	12.50	1,000	5983499
	CAPT3743*4A*	ADVC81005C*B*	28,600	21,800	15.00	12.50	1,000	6494122
	CAPT3743*4A*	G*VC80604B*B*	28,600	21,800	15.00	12.50	1,000	5983486
	CAPT3743*4A*	G*VM960805CXB*	28,600	21,800	15.50	12.50	980	5983534
	CAPT3743*4A*	A*VC950704CXB*	28,600	21,800	15.50	12.50	900	5983914
	CAPT3743*4A*	A*EC960302BNA*	28,600	21,800	15.00	12.50	980	7365953
	CAPT3743*4A*	A*VC950714CXB*	28,600	21,800	15.50	12.50	1,000	5983920
	CAPT3743*4A*	G*VC951155DXB*	28,600	21,800	16.00	13.00	900	5983527
	CAPT3743*4A*	G*VM960805DXB*	28,600	21,800	15.50	12.50	1,000	5983539
	CAPT3743*4A*+EEP		28,600	21,800	14.50	12.00	1,000	5983468
	CAPT3743*4A*+MBVC1200**-1A*		28,600	21,800	15.00	12.50	910	5983469
CAPT3743*4A*+MBVC1600**-1A*		28,600	21,800	15.00	12.50	945	5983470	
CHPF3636B6C*	A*EC961004CNA*	28,400	21,600	14.50	12.00	1,000	7365982	
CHPF3636B6C*	A*VM960603BXB*	28,400	21,600	15.00	12.50	990	5987239	
CHPF3636B6C*	GME950403BXA*	28,400	21,600	15.00	12.50	990	5986831	
CHPF3636B6C*	AMEH960403BXA*	28,400	21,600	15.00	12.50	990	6945102	
CHPF3636B6C*	G*EC960803BNA*	28,400	21,600	15.00	12.50	1,000	7365813	
CHPF3636B6C*	G*EC960302BNA*	28,400	21,600	15.00	12.50	980	7365792	
CHPF3636B6C*	G*EC960402BNA*	28,400	21,600	15.00	12.50	980	7365799	
CHPF3636B6C*	A*EC960402BNA*	28,400	21,600	15.00	12.50	980	7365961	
CHPF3636B6C*	G*VC950453BXB*	28,400	21,600	15.00	12.50	1,000	5986778	
CHPF3636B6C*	G*EC960603BNA*	28,400	21,600	15.00	12.50	1,000	7365806	

See Notes on Page 85.

OUTDOOR UNIT	0.1672		COOLING RATINGS				CFM	AHRI #
	COILS/AIR HANDLERS	FURNACES	TOTAL <sup>1</sup>	SENS. <sup>1</sup>	SEER <sup>2</sup>	EER <sup>3</sup>		
GSX16 0301F* (cont.)	CHPF3636B6C*	A*EC960302BNA*	28,400	21,600	15.00	12.50	980	7365954
	CHPF3636B6C*	G*VM960603BXB*	28,400	21,600	15.00	12.50	990	5986806
	CHPF3636B6C*	A*EC960803BNA*	28,400	21,600	15.00	12.50	1,000	7365975
	CHPF3636B6C*	A*EC960603BNA*	28,400	21,600	15.00	12.50	1,000	7365968
	CHPF3636B6C*	A*VC950453BXB*	28,400	21,600	15.00	12.50	1,000	5987211
	CHPF3636B6C*	G*EC961004CNA*	28,400	21,600	14.50	12.00	1,000	7365820
	CHPF3636B6C*+EEP		28,400	21,600	14.00	12.00	1,000	5986758
	CHPF3636B6C*+MBVC1200** -1A*		28,400	21,600	15.00	12.50	910	5986759
	CHPF3636B6C*+MBVC1200** -1A*+TXV		28,400	21,600	15.50	12.50	910	5983471
	CHPF3636B6C*+TXV	G*VM970803BNA*	28,400	21,600	15.00	12.50	1,000	7355327
	CHPF3636B6C*+TXV	A*EC960803BNA*	28,400	21,600	15.50	12.50	1,000	7365976
	CHPF3636B6C*+TXV	G*EC961004CNA*	28,400	21,600	15.00	12.50	1,000	7365821
	CHPF3636B6C*+TXV	G*VC960403BNA*	28,400	21,600	15.00	12.50	1,000	7355156
	CHPF3636B6C*+TXV	GME950403BXA*	28,400	21,600	15.50	12.50	990	5983556
	CHPF3636B6C*+TXV	A*VC960403BNA*	28,400	21,600	15.00	12.50	1,000	7355483
	CHPF3636B6C*+TXV	A*VM970803BNA*	28,400	21,600	15.00	12.50	1,000	7355654
	CHPF3636B6C*+TXV	A*EC960402BNA*	28,400	21,600	15.50	12.50	980	7365962
	CHPF3636B6C*+TXV	A*EC961004CNA*	28,400	21,600	15.00	12.50	1,000	7365983
	CHPF3636B6C*+TXV	G*VC960803BNA*	28,400	21,600	15.00	12.50	1,000	7355180
	CHPF3636B6C*+TXV	G*VC950453BXB*	28,400	21,600	15.00	12.50	1,000	5983500
	CHPF3636B6C*+TXV	A*EC960603BNA*	28,400	21,600	15.50	12.50	1,000	7365969
	CHPF3636B6C*+TXV	G*EC960803BNA*	28,400	21,600	15.50	12.50	1,000	7365814
	CHPF3636B6C*+TXV	AMEH960403BXA*	28,400	21,600	15.50	12.50	990	6945103
	CHPF3636B6C*+TXV	G*EC960302BNA*	28,400	21,600	15.50	12.50	980	7365793
	CHPF3636B6C*+TXV	G*EC960603BNA*	28,400	21,600	15.50	12.50	1,000	7365807
	CHPF3636B6C*+TXV	A*VC950453BXB*	28,400	21,600	15.00	12.50	1,000	5983910
	CHPF3636B6C*+TXV	A*VM970603BNA*	28,400	21,600	15.00	12.50	1,000	7355642
	CHPF3636B6C*+TXV	G*VM970603BNA*	28,400	21,600	15.00	12.50	1,000	7355315
	CHPF3636B6C*+TXV	A*VC960603BNA*	28,400	21,600	15.00	12.50	1,000	7355495
	CHPF3636B6C*+TXV	A*EC960302BNA*	28,400	21,600	15.50	12.50	980	7365955
	CHPF3636B6C*+TXV	G*VC960603BNA*	28,400	21,600	15.00	12.50	1,000	7355168
	CHPF3636B6C*+TXV	A*VC960803BNA*	28,400	21,600	15.00	12.50	1,000	7355507
	CHPF3636B6C*+TXV	G*EC960402BNA*	28,400	21,600	15.50	12.50	980	7365800
	CHPF3642C6C*	G*VM960604CXB*	28,400	21,600	15.00	12.50	860	5986810
	CHPF3642C6C*	G*VC81005C*B*	28,400	21,600	15.00	12.50	1,000	5986776
	CHPF3642C6C*	G*VC950704CXB*	28,400	21,600	15.00	12.50	900	5986782
	CHPF3642C6C*	A*EH800805C*A*	28,400	21,600	14.50	12.00	1,000	6945104
	CHPF3642C6C*	G*VC80805C*B*	28,400	21,600	15.00	12.50	980	5986772
	CHPF3642C6C*	AMEH960603BXA*	28,400	21,600	14.50	12.00	1,000	6945106
	CHPF3642C6C*	A*VC81005C*B*	28,400	21,600	15.00	12.50	1,000	5987209
	CHPF3642C6C*	A*VC80805C*B*	28,400	21,600	15.00	12.50	980	5987205
	CHPF3642C6C*	A*EC961004CNA*	28,600	21,800	15.00	12.50	1,000	7365984
CHPF3642C6C*	A*VC80604B*B*	28,400	21,600	15.00	12.50	1,000	5987202	
CHPF3642C6C*	G*E81005C*B*	28,400	21,600	14.50	12.00	1,000	5986767	
CHPF3642C6C*	GME950603BXA*	28,400	21,600	14.50	12.00	1,000	5986834	
CHPF3642C6C*	G*E80805C*B*	28,400	21,600	14.50	12.00	1,000	5986765	
CHPF3642C6C*	A*EH801005C*A*	28,400	21,600	14.50	12.00	1,000	6945105	
CHPF3642C6C*	G*VC80604B*B*	28,400	21,600	15.00	12.50	1,000	5986769	
CHPF3642C6C*	G*EC961004CNA*	28,600	21,800	15.00	12.50	1,000	7365822	
CHPF3642C6C*	A*VM960604CXB*	28,400	21,600	15.00	12.50	860	5987243	
CHPF3642C6C*	A*VC950704CXB*	28,400	21,600	15.00	12.50	900	5987215	
CHPF3642C6C*+EEP		28,400	21,600	14.00	12.00	1,000	5986760	
CHPF3642C6C*+EEP+TXV		28,400	21,600	14.50	12.00	1,000	5983472	
CHPF3642C6C*+TXV	G*EC961004CNA*	28,600	21,800	15.50	12.50	1,000	7365823	

See Notes on Page 85.

OUTDOOR UNIT	0.1672		COOLING RATINGS				CFM	AHRI #
	COILS/AIR HANDLERS	FURNACES	TOTAL <sup>1</sup>	SENS. <sup>1</sup>	SEER <sup>2</sup>	EER <sup>3</sup>		
GSX16 0301F* (cont.)	CHPF3642C6C*+TXV	A*EH800805C*A*	28,400	21,600	15.00	12.50	1,000	6945107
	CHPF3642C6C*+TXV	A*EC961004CNA*	28,600	21,800	15.50	12.50	1,000	7365985
	CHPF3642C6C*+TXV	G*E80805C*B*	28,400	21,600	15.00	12.50	1,000	5983478
	CHPF3642C6C*+TXV	A*VC80604B*B*	28,400	21,600	15.50	12.50	1,000	5983897
	CHPF3642C6C*+TXV	G*VC80805C*B*	28,400	21,600	15.50	12.50	980	5983491
	CHPF3642C6C*+TXV	A*EH801005C*A*	28,400	21,600	15.00	12.50	1,000	6945108
	CHPF3642C6C*+TXV	G*VC81005C*B*	28,400	21,600	15.50	12.50	1,000	5983496
	CHPF3642C6C*+TXV	G*VC950704CXB*	28,400	21,600	15.00	12.50	900	5983505
	CHPF3642C6C*+TXV	GME950603BXA*	28,400	21,600	15.00	12.50	1,000	5983561
	CHPF3642C6C*+TXV	A*VC81005C*B*	28,400	21,600	15.50	12.50	1,000	5983906
	CHPF3642C6C*+TXV	G*E81005C*B*	28,400	21,600	15.00	12.50	1,000	5983483
	CHPF3642C6C*+TXV	G*VC80604B*B*	28,400	21,600	15.50	12.50	1,000	5983487
	CHPF3642C6C*+TXV	AMEH960603BXA*	28,400	21,600	15.00	12.50	1,000	6945109
	CHPF3642C6C*+TXV	A*VC950704CXB*	28,400	21,600	15.00	12.50	900	5983915
	CHPF3642C6C*+TXV	A*VC80805C*B*	28,400	21,600	15.50	12.50	980	5983901
	CHPF3642D6C*	A*VM960604CXB*	28,400	21,600	15.00	12.50	860	5987244
	CHPF3642D6C*	G*VC950704CXB*	28,400	21,600	15.00	12.50	900	5986783
	CHPF3642D6C*	G*VM960604CXB*	28,400	21,600	15.00	12.50	860	5986811
	CHPF3642D6C*	A*VC950704CXB*	28,400	21,600	15.00	12.50	900	5987216
	CHPF3642D6C*+EEP		28,400	21,600	14.00	12.00	1,000	5986761
	CHPF3642D6C*+TXV	G*E80805C*B*	28,400	21,600	15.00	12.50	1,000	5983479
	CHPF3642D6C*+TXV	A*EH800805C*A*	28,400	21,600	15.00	12.50	1,000	6945110
	CHPF3642D6C*+TXV	A*EH801005C*A*	28,400	21,600	15.00	12.50	1,000	6945111
	CHPF3642D6C*+TXV	AMEH960603BXA*	28,400	21,600	15.00	12.50	1,000	6945112
	CHPF3642D6C*+TXV	GME950603BXA*	28,400	21,600	15.00	12.50	1,000	5983562
	CHPF3642D6C*+TXV	A*VC950704CXB*	28,400	21,600	15.00	12.50	900	5983916
	CHPF3642D6C*+TXV	G*E81005C*B*	28,400	21,600	15.00	12.50	1,000	5983484
	CHPF3642D6C*+TXV	G*VC950704CXB*	28,400	21,600	15.00	12.50	900	5983506
	CHPF3743C6B*	G*VM970603BNA*	28,600	21,800	15.00	12.50	1,000	7355316
	CHPF3743C6B*	A*VC960403BNA*	28,600	21,800	15.00	12.50	1,000	7355484
	CHPF3743C6B*	A*EH800805C*A*	28,600	21,800	15.50	12.50	1,000	6945113
	CHPF3743C6B*	G*VC960603BNA*	28,600	21,800	15.00	12.50	1,000	7355169
	CHPF3743C6B*	G*VC960804CNA*	28,600	21,800	15.00	12.50	1,000	7355190
	CHPF3743C6B*	A*VC80805C*B*	28,600	21,800	15.50	12.50	980	5987206
	CHPF3743C6B*	G*VM970804CNA*	28,600	21,800	15.00	12.50	1,000	7355337
	CHPF3743C6B*	AMEH960805CXA*	28,600	21,800	15.50	12.50	1,070	6945115
	CHPF3743C6B*	A*VM960805CXB*	28,600	21,800	15.00	12.50	980	5987248
	CHPF3743C6B*	A*EC961004CNA*	28,600	21,800	15.50	12.50	1,000	7365986
	CHPF3743C6B*	GME950805CXA*	28,600	21,800	15.50	12.50	1,070	5986837
	CHPF3743C6B*	A*VC960603BNA*	28,600	21,800	15.00	12.50	1,000	7355496
	CHPF3743C6B*	GME950603BXA*	28,600	21,800	14.50	12.00	1,000	5986835
	CHPF3743C6B*	G*VC80805C*B*	28,600	21,800	15.50	12.50	980	5986773
CHPF3743C6B*	G*VC960403BNA*	28,600	21,800	15.00	12.50	1,000	7355157	
CHPF3743C6B*	G*VM960805CXB*	28,600	21,800	15.00	12.50	980	5986815	
CHPF3743C6B*	G*E80805C*B*	28,600	21,800	15.50	12.50	1,000	5986766	
CHPF3743C6B*	AMEH960603BXA*	28,600	21,800	14.50	12.00	1,000	6945114	
CHPF3743C6B*	A*VM970804CNA*	28,600	21,800	15.00	12.50	1,000	7355664	
CHPF3743C6B*	A*VM970803BNA*	28,600	21,800	15.00	12.50	1,000	7355655	
CHPF3743C6B*	G*EC961004CNA*	28,600	21,800	15.50	12.50	1,000	7365824	
CHPF3743C6B*	A*VC960803BNA*	28,600	21,800	15.00	12.50	1,000	7355508	
CHPF3743C6B*	G*VC960803BNA*	28,600	21,800	15.00	12.50	1,000	7355181	
CHPF3743C6B*	A*VC950905CXB*	28,600	21,800	15.50	12.50	900	5987226	
CHPF3743C6B*	A*VC960804CNA*	28,600	21,800	15.00	12.50	1,000	7355517	
CHPF3743C6B*	G*VM970803BNA*	28,600	21,800	15.00	12.50	1,000	7355328	

See Notes on Page 85.

OUTDOOR UNIT	0.1672		COOLING RATINGS				CFM	AHRI #
	COILS/AIR HANDLERS	FURNACES	TOTAL <sup>1</sup>	SENS. <sup>1</sup>	SEER <sup>2</sup>	EER <sup>3</sup>		
GSX16 0301F* (cont.)	CHPF3743C6B*	A*VM970603BNA*	28,600	21,800	15.00	12.50	1,000	7355643
	CHPF3743C6B*	G*VC950905CXB*	28,600	21,800	15.50	12.50	900	5986793
	CHPF3743C6B*+EEP+TXV		29,000	22,200	14.50	12.00	1,000	5753030
	CHPF3743C6B*+MBVC1600**-1A*		28,600	21,800	15.50	12.50	945	5986762
	CHPF3743C6B*+MBVC1600**-1A*+TXV		28,600	21,800	16.00	13.00	945	5983473
	CHPF3743C6B*+TXV	A*VM970803BNA*	28,600	21,800	16.00	13.00	1,000	7355656
	CHPF3743C6B*+TXV	G*VM970603BNA*	28,600	21,800	16.00	13.00	1,000	7355317
	CHPF3743C6B*+TXV	A*VM970603BNA*	28,600	21,800	16.00	13.00	1,000	7355644
	CHPF3743C6B*+TXV	G*VC950905CXB*	28,600	21,800	16.00	13.00	900	5983516
	CHPF3743C6B*+TXV	G*VM960805CXB*	28,600	21,800	15.50	12.50	980	5983535
	CHPF3743C6B*+TXV	A*VC960603BNA*	28,600	21,800	16.00	13.00	1,000	7355497
	CHPF3743C6B*+TXV	A*EH800805C*A*	29,000	22,200	16.00	13.00	1,050	6945116
	CHPF3743C6B*+TXV	A*EC961004CNA*	28,600	21,800	16.00	13.00	1,000	7365987
	CHPF3743C6B*+TXV	G*VM970804CNA*	28,600	21,800	16.00	13.00	1,000	7355338
	CHPF3743C6B*+TXV	G*VC960803BNA*	28,600	21,800	16.00	13.00	1,000	7355182
	CHPF3743C6B*+TXV	AMEH960603BXA*	28,600	21,800	15.00	12.50	1,000	6945117
	CHPF3743C6B*+TXV	G*VC80805C*B*	28,600	21,800	16.00	13.00	980	5983492
	CHPF3743C6B*+TXV	G*VC960804CNA*	28,600	21,800	16.00	13.00	1,000	7355191
	CHPF3743C6B*+TXV	A*VC960803BNA*	28,600	21,800	16.00	13.00	1,000	7355509
	CHPF3743C6B*+TXV	G*EC961004CNA*	28,600	21,800	16.00	13.00	1,000	7365825
	CHPF3743C6B*+TXV	GME950805CXA*	29,000	22,200	16.00	13.00	1,050	5753035
	CHPF3743C6B*+TXV	A*VC960804CNA*	28,600	21,800	16.00	13.00	1,000	7355518
	CHPF3743C6B*+TXV	A*VM960805CXB*	28,600	21,800	15.50	12.50	980	5983945
	CHPF3743C6B*+TXV	G*E80805C*B*	29,000	22,200	16.00	13.00	1,050	5753033
	CHPF3743C6B*+TXV	G*VC960403BNA*	28,600	21,800	16.00	13.00	1,000	7355158
	CHPF3743C6B*+TXV	A*VC950704CXB*	28,000	21,400	16.00	13.00	900	6107840
	CHPF3743C6B*+TXV	G*VC950704CXB*	28,000	21,400	16.00	13.00	900	6107844
	CHPF3743C6B*+TXV	A*VC950905CXB*	28,600	21,800	16.00	13.00	900	5983926
	CHPF3743C6B*+TXV	AMEH960805CXA*	29,000	22,200	16.00	13.00	1,050	6945118
	CHPF3743C6B*+TXV	G*VM970803BNA*	28,600	21,800	16.00	13.00	1,000	7355329
	CHPF3743C6B*+TXV	G*VC960603BNA*	28,600	21,800	16.00	13.00	1,000	7355170
	CHPF3743C6B*+TXV	A*VM970804CNA*	28,600	21,800	16.00	13.00	1,000	7355665
	CHPF3743C6B*+TXV	A*VC80805C*B*	28,600	21,800	16.00	13.00	980	5983902
	CHPF3743C6B*+TXV	GME950603BXA*	28,600	21,800	15.00	12.50	1,000	5983563
	CHPF3743C6B*+TXV	A*VC960403BNA*	28,600	21,800	16.00	13.00	1,000	7355485
	CHPF3743D6B*	G*VM961155DXB*	28,600	21,800	15.50	12.50	1,000	5986827
	CHPF3743D6B*	A*VM961005DXB*	28,600	21,800	15.50	12.50	900	5987256
	CHPF3743D6B*	A*VM961155DXB*	28,600	21,800	15.50	12.50	1,000	5987260
	CHPF3743D6B*	A*VM960805DXB*	28,600	21,800	15.00	12.50	1,000	5987252
	CHPF3743D6B*	G*VM961005DXB*	28,600	21,800	15.50	12.50	900	5986823
	CHPF3743D6B*	G*VC950905CXB*	28,600	21,800	15.50	12.50	900	5986789
	CHPF3743D6B*	G*VM960805DXB*	28,600	21,800	15.00	12.50	1,000	5986819
CHPF3743D6B*	A*VC950905CXB*	28,600	21,800	15.50	12.50	900	5987222	
CHPF3743D6B*	A*VC951155DXB*	28,600	21,800	15.50	12.50	900	5987236	
CHPF3743D6B*	G*VC951155DXB*	28,600	21,800	15.50	12.50	900	5986803	
CHPF3743D6B*+TXV	G*VM960805DXB*	28,600	21,800	15.50	12.50	1,000	5983540	
CHPF3743D6B*+TXV	A*VC950905CXB*	28,600	21,800	16.00	13.00	900	5983921	
CHPF3743D6B*+TXV	G*VM961005DXB*	28,600	21,800	16.00	13.00	900	5983545	
CHPF3743D6B*+TXV	G*VC950905CXB*	28,600	21,800	16.00	13.00	900	5983511	
CHPF3743D6B*+TXV	G*VM961155DXB*	28,600	21,800	16.00	13.00	1,000	5983550	
CHPF3743D6B*+TXV	A*VM961155DXB*	28,600	21,800	16.00	13.00	1,000	5983960	
CHPF3743D6B*+TXV	G*VC951155DXB*	28,600	21,800	16.00	13.00	900	5983528	
CHPF3743D6B*+TXV	A*VM960805DXB*	28,600	21,800	15.50	12.50	1,000	5983950	
CHPF3743D6B*+TXV	A*VM961005DXB*	28,600	21,800	16.00	13.00	900	5983955	

See Notes on Page 85.

OUTDOOR UNIT	0.1672		COOLING RATINGS				CFM	AHRI #
	COILS/AIR HANDLERS	FURNACES	TOTAL <sup>1</sup>	SENS. <sup>1</sup>	SEER <sup>2</sup>	EER <sup>3</sup>		
GSX16 0301F* (cont.)	CHPF3743D6B*+TXV	A*VC951155DXB*	28,600	21,800	16.00	13.00	900	5983938
	CHPF4860D6D*+EEP+TXV		29,400	22,400	15.00	12.50	900	5753031
	CSCF3036N6D*	A*VC960403BNA*	28,000	21,400	14.50	12.00	1,000	7355486
	CSCF3036N6D*	G*VM970603BNA*	28,000	21,400	14.50	12.00	1,000	7355318
	CSCF3036N6D*	G*VC960803BNA*	28,000	21,400	14.50	12.00	1,000	7355183
	CSCF3036N6D*	A*VM970803BNA*	28,000	21,400	14.50	12.00	1,000	7355657
	CSCF3036N6D*	G*VC960603BNA*	28,000	21,400	14.50	12.00	1,000	7355171
	CSCF3036N6D*	G*VC960403BNA*	28,000	21,400	14.50	12.00	1,000	7355159
	CSCF3036N6D*	A*VC960803BNA*	28,000	21,400	14.50	12.00	1,000	7355510
	CSCF3036N6D*	G*VM970803BNA*	28,000	21,400	14.50	12.00	1,000	7355330
	CSCF3036N6D*	A*VM970603BNA*	28,000	21,400	14.50	12.00	1,000	7355645
	CSCF3036N6D*	A*VC960603BNA*	28,000	21,400	14.50	12.00	1,000	7355498
	CSCF3036N6D*+TXV	A*VM970603BNA*	28,200	21,400	15.00	12.50	1,000	7355646
	CSCF3036N6D*+TXV	A*VM970803BNA*	28,200	21,400	15.00	12.50	1,000	7355658
	CSCF3036N6D*+TXV	G*VC960403BNA*	28,200	21,400	15.00	12.50	1,000	7355160
	CSCF3036N6D*+TXV	G*VM970603BNA*	28,200	21,400	15.00	12.50	1,000	7355319
	CSCF3036N6D*+TXV	G*VC960803BNA*	28,200	21,400	15.00	12.50	1,000	7355184
	CSCF3036N6D*+TXV	A*VC960403BNA*	28,200	21,400	15.00	12.50	1,000	7355487
	CSCF3036N6D*+TXV	G*VM970803BNA*	28,200	21,400	15.00	12.50	1,000	7355331
	CSCF3036N6D*+TXV	G*VC960603BNA*	28,200	21,400	15.00	12.50	1,000	7355172
	CSCF3036N6D*+TXV	A*VC960803BNA*	28,200	21,400	15.00	12.50	1,000	7355511
	CSCF3036N6D*+TXV	A*VC960603BNA*	28,200	21,400	15.00	12.50	1,000	7355499
	CSCF3642N6D*	A*VM970803BNA*	28,200	21,400	15.00	12.50	1,000	7355659
	CSCF3642N6D*	A*VM970603BNA*	28,200	21,400	15.00	12.50	1,000	7355647
	CSCF3642N6D*	G*VM970603BNA*	28,200	21,400	15.00	12.50	1,000	7355320
	CSCF3642N6D*	G*VC960603BNA*	28,200	21,400	15.00	12.50	1,000	7355173
	CSCF3642N6D*	G*VC960403BNA*	28,200	21,400	15.00	12.50	1,000	7355161
	CSCF3642N6D*	A*VC950704CXB*	28,800	22,000	15.00	12.50	900	5987217
	CSCF3642N6D*	G*VC960803BNA*	28,200	21,400	15.00	12.50	1,000	7355185
	CSCF3642N6D*	G*VM970804CNA*	28,400	21,600	15.00	12.50	1,000	7355339
	CSCF3642N6D*	A*VC960803BNA*	28,200	21,400	15.00	12.50	1,000	7355512
	CSCF3642N6D*	G*VC950704CXB*	28,800	22,000	15.00	12.50	900	5986784
	CSCF3642N6D*	A*VC960403BNA*	28,200	21,400	15.00	12.50	1,000	7355488
	CSCF3642N6D*	A*VC960804CNA*	28,400	21,600	15.00	12.50	1,000	7355519
	CSCF3642N6D*	G*VC960804CNA*	28,400	21,600	15.00	12.50	1,000	7355192
	CSCF3642N6D*	A*VC960603BNA*	28,200	21,400	15.00	12.50	1,000	7355500
	CSCF3642N6D*	A*VM970804CNA*	28,400	21,600	15.00	12.50	1,000	7355666
	CSCF3642N6D*	G*VM970803BNA*	28,200	21,400	15.00	12.50	1,000	7355332
	CSCF3642N6D*+EEP		28,800	22,000	14.00	12.00	1,000	5986763
	CSCF3642N6D*+EEP+TXV		28,800	22,000	14.50	12.00	1,000	5983474
	CSCF3642N6D*+TXV	G*VM970603BNA*	28,200	21,400	15.50	12.50	1,000	7355321
	CSCF3642N6D*+TXV	G*VC960603BNA*	28,200	21,400	15.50	12.50	1,000	7355174
	CSCF3642N6D*+TXV	A*VM970603BNA*	28,200	21,400	15.50	12.50	1,000	7355648
	CSCF3642N6D*+TXV	A*VM970804CNA*	28,400	21,600	15.50	12.50	1,000	7355667
	CSCF3642N6D*+TXV	A*VC960403BNA*	28,200	21,400	15.50	12.50	1,000	7355489
	CSCF3642N6D*+TXV	A*VC960603BNA*	28,200	21,400	15.50	12.50	1,000	7355501
	CSCF3642N6D*+TXV	G*VC960804CNA*	28,400	21,600	15.50	12.50	1,000	7355193
	CSCF3642N6D*+TXV	A*VC950704CXB*	28,400	21,600	15.00	12.50	900	5983917
	CSCF3642N6D*+TXV	G*VC950704CXB*	28,400	21,600	15.00	12.50	900	5983507
	CSCF3642N6D*+TXV	A*VC960803BNA*	28,200	21,400	15.50	12.50	1,000	7355513
CSCF3642N6D*+TXV	G*VC960803BNA*	28,200	21,400	15.50	12.50	1,000	7355186	
CSCF3642N6D*+TXV	G*VM970803BNA*	28,200	21,400	15.50	12.50	1,000	7355333	
CSCF3642N6D*+TXV	G*VC960403BNA*	28,200	21,400	15.50	12.50	1,000	7355162	
CSCF3642N6D*+TXV	G*VM970804CNA*	28,400	21,600	15.50	12.50	1,000	7355340	
CSCF3642N6D*+TXV	A*VC960804CNA*	28,400	21,600	15.50	12.50	1,000	7355520	
CSCF3642N6D*+TXV	A*VM970803BNA*	28,200	21,400	15.50	12.50	1,000	7355660	

See Notes on Page 85.

OUTDOOR UNIT	0.1672		COOLING RATINGS				CFM	AHRI #
	COILS/AIR HANDLERS	FURNACES	TOTAL <sup>1</sup>	SENS. <sup>1</sup>	SEER <sup>2</sup>	EER <sup>3</sup>		
GSX16 0361F*	ARPT36D14A*		34,000	26,400	14.50	12.00	1,150	5983564
	ARPT42D14A*		35,000	27,200	14.50	12.00	1,175	5983565
	ARPT48D14A*		35,000	27,200	14.50	12.00	1,250	5983566
	ARUF48D14A*		35,000	27,200	14.00	12.00	1,175	5986838
	ARUF48D14A*+TXV		34,400	26,800	14.50	12.00	1,175	5983567
	ASPT36C14A*		34,200	26,600	14.50	12.00	1,200	5983568
	ASPT42C14A*		34,400	26,800	14.50	12.00	1,175	7040825
	ASPT42D14A*		35,000	27,200	16.00	13.00	1,175	5756175
	ASUF39C14A*		34,200	26,600	14.00	12.00	1,000	5986839
	ASUF39C14A*+TXV		34,200	26,600	14.50	12.00	1,000	5983569
	AVPTC42D14A*		35,000	27,200	16.00	13.00	1,220	5924356
	AVPTC48C14A*		34,400	26,800	14.50	12.00	1,000	7040826
	AWUF37XX16B*		34,000	26,400	14.00	12.00	1,150	5753212
	AWUF37XX16B*+TXV		33,000	25,600	14.50	12.00	1,000	5753044
	CA*F3137*6A*	A*EC960603BNA*	34,200	26,600	14.50	12.00	1,090	7489500
	CA*F3137*6A*	A*EC960803BNA*	34,200	26,600	14.50	12.00	1,090	7489501
	CA*F3137*6A*	A*EH800603B*A*	34,200	26,600	14.50	12.20	1,100	7489502
	CA*F3137*6A*	A*VC80604B*B*	34,200	26,600	14.50	12.20	1,095	7489503
	CA*F3137*6A*	A*VC960403BNA*	34,200	26,600	14.50	12.20	1,050	7489504
	CA*F3137*6A*	A*VC960603BNA*	34,200	26,600	14.50	12.20	1,055	7489505
	CA*F3137*6A*	A*VC960803BNA*	34,200	26,600	14.50	12.20	1,100	7489506
	CA*F3137*6A*	A*VM970603BNA*	34,200	26,600	14.50	12.20	1,055	7489507
	CA*F3137*6A*	A*VM970803BNA*	34,200	26,600	14.50	12.20	1,100	7489508
	CA*F3137*6A*	ADVC80603B*B*	34,200	26,600	14.50	12.20	1,075	7489509
	CA*F3137*6A*	G*E80603B*B*	34,200	26,600	14.50	12.20	1,100	7489510
	CA*F3137*6A*	G*EC960603BNA*	34,200	26,600	14.50	12.00	1,090	7489511
	CA*F3137*6A*	G*EC960803BNA*	34,200	26,600	14.50	12.00	1,090	7489512
	CA*F3137*6A*	G*VC80604B*B*	34,200	26,600	14.50	12.20	1,095	7489513
	CA*F3137*6A*	G*VC960403BNA*	34,200	26,600	14.50	12.20	1,050	7489514
	CA*F3137*6A*	G*VC960603BNA*	34,200	26,600	14.50	12.20	1,055	7489515
	CA*F3137*6A*	G*VC960803BNA*	34,200	26,600	14.50	12.20	1,100	7489516
	CA*F3137*6A*	G*VM970603BNA*	34,200	26,600	14.50	12.20	1,055	7489517
	CA*F3137*6A*	G*VM970803BNA*	34,200	26,600	14.50	12.20	1,100	7489518
	CA*F3137*6A*+EEP		34,200	26,600	14.00	12.00	1,080	7489478
	CA*F3137*6A*+EEP+TXV		34,200	26,600	14.50	12.00	1,080	7489477
	CA*F3137*6A*+MBVC1200**-1A*		34,200	26,600	14.50	12.00	1,050	7489480
	CA*F3137*6A*+MBVC1200**-1A*+TXV		34,200	26,600	15.00	12.50	1,050	7489479
	CA*F3137*6A*+TXV	A*EC960603BNA*	34,200	26,600	15.00	12.50	1,090	7489481
	CA*F3137*6A*+TXV	A*EC960803BNA*	34,200	26,600	15.00	12.50	1,090	7489482
	CA*F3137*6A*+TXV	A*EH800603B*A*	34,200	26,600	15.00	12.50	1,100	7489483
	CA*F3137*6A*+TXV	A*VC80604B*B*	34,200	26,600	15.00	12.50	1,095	7489484
	CA*F3137*6A*+TXV	A*VC960403BNA*	34,200	26,600	15.00	12.50	1,050	7489485
CA*F3137*6A*+TXV	A*VC960603BNA*	34,200	26,600	15.00	12.50	1,055	7489486	
CA*F3137*6A*+TXV	A*VC960803BNA*	34,200	26,600	15.00	12.50	1,100	7489487	
CA*F3137*6A*+TXV	A*VM970603BNA*	34,200	26,600	15.00	12.50	1,055	7489488	
CA*F3137*6A*+TXV	A*VM970803BNA*	34,200	26,600	15.00	12.50	1,100	7489489	
CA*F3137*6A*+TXV	ADVC80603B*B*	34,200	26,600	15.00	12.50	1,075	7489490	
CA*F3137*6A*+TXV	G*E80603B*B*	34,200	26,600	15.00	12.50	1,100	7489491	
CA*F3137*6A*+TXV	G*EC960603BNA*	34,200	26,600	15.00	12.50	1,090	7489492	
CA*F3137*6A*+TXV	G*EC960803BNA*	34,200	26,600	15.00	12.50	1,090	7489493	
CA*F3137*6A*+TXV	G*VC80604B*B*	34,200	26,600	15.00	12.50	1,095	7489494	
CA*F3137*6A*+TXV	G*VC960403BNA*	34,200	26,600	15.00	12.50	1,050	7489495	
CA*F3137*6A*+TXV	G*VC960603BNA*	34,200	26,600	15.00	12.50	1,055	7489496	
CA*F3137*6A*+TXV	G*VC960803BNA*	34,200	26,600	15.00	12.50	1,100	7489497	

See Notes on Page 85.

OUTDOOR UNIT	0.1672		COOLING RATINGS				CFM	AHRI #
	COILS/AIR HANDLERS	FURNACES	TOTAL <sup>1</sup>	SENS. <sup>1</sup>	SEER <sup>2</sup>	EER <sup>3</sup>		
GSX16 0361F* (cont.)	CA*F3137*6A*+TXV	G*VM970603BNA*	34,200	26,600	15.00	12.50	1,055	7489498
	CA*F3137*6A*+TXV	G*VM970803BNA*	34,200	26,600	15.00	12.50	1,100	7489499
	CA*F3636*6D*	GME950805CXA*	33,600	26,200	14.50	12.00	1,110	5986924
	CA*F3636*6D*	GME950603BXA*	33,600	26,200	14.00	12.00	1,165	5986920
	CA*F3636*6D*	AMEH960603BXA*	33,600	26,200	14.00	12.00	1,165	6945119
	CA*F3636*6D*	AMEH960805CXA*	33,600	26,200	14.50	12.00	1,110	6945120
	CA*F3636*6D*+EEP+TXV		33,600	26,200	14.00	11.80	1,200	5983570
	CA*F3636*6D*+TXV	AMEH960603BXA*	33,600	26,200	14.50	12.00	1,165	6945121
	CA*F3636*6D*+TXV	AMEH960805CXA*	33,600	26,200	15.00	12.50	1,110	6945122
	CA*F3636*6D*+TXV	GME950805CXA*	33,600	26,200	15.00	12.50	1,110	5983650
	CA*F3636*6D*+TXV	GME950603BXA*	33,600	26,200	14.50	12.00	1,165	5983647
	CA*F3642*6D*	G*VM960805CXB*	34,000	26,400	14.50	12.00	1,175	5986902
	CA*F3642*6D*	GME950805CXA*	34,000	26,400	14.50	12.00	1,110	5986925
	CA*F3642*6D*	A*VC950905CXB*	34,000	26,400	15.00	12.50	1,175	5987279
	CA*F3642*6D*	AMEH960603BXA*	34,000	26,400	13.50	11.50	1,165	6945123
	CA*F3642*6D*	G*VC950905CXB*	34,000	26,400	15.00	12.50	1,175	5986883
	CA*F3642*6D*	AMEH960805CXA*	34,000	26,400	14.50	12.00	1,110	6945124
	CA*F3642*6D*	GME950603BXA*	34,000	26,400	13.50	11.50	1,165	5986921
	CA*F3642*6D*	A*VC950704CXB*	34,000	26,400	14.50	12.00	1,120	5987272
	CA*F3642*6D*	A*VM960805CXB*	34,000	26,400	14.50	12.00	1,175	5987298
	CA*F3642*6D*	G*VC950704CXB*	34,000	26,400	14.50	12.00	1,120	5986876
	CA*F3642*6D*+EEP		34,000	26,400	14.00	12.00	1,200	5986840
	CA*F3642*6D*+MBVC2000**-1A*		34,000	26,400	15.00	12.50	1,120	5986841
	CA*F3642*6D*+TXV	AMEH960805CXA*	34,000	26,400	15.00	12.50	1,110	6945125
	CA*F3642*6D*+TXV	G*VC950905CXB*	34,000	26,400	15.00	12.50	1,175	5983608
	CA*F3642*6D*+TXV	GME950805CXA*	34,000	26,400	15.00	12.50	1,110	5983651
	CA*F3642*6D*+TXV	A*VM960805CXB*	34,000	26,400	15.00	12.50	1,175	5984040
	CA*F3642*6D*+TXV	G*VC950704CXB*	34,000	26,400	14.50	12.00	1,120	5983601
	CA*F3642*6D*+TXV	A*VC950704CXB*	34,000	26,400	14.50	12.00	1,120	5983969
	CA*F3642*6D*+TXV	G*VM960805CXB*	34,000	26,400	15.00	12.50	1,175	5983629
	CA*F3642*6D*+TXV	A*VC950905CXB*	34,000	26,400	15.00	12.50	1,175	5983976
	CA*F3743*6D*	A*VC950704CXB*	34,600	27,000	14.50	12.00	1,120	5987273
	CA*F3743*6D*	A*EC961004CNA*	34,000	26,400	14.50	12.00	1,175	7366004
	CA*F3743*6D*	A*VM961155DXB*	34,600	27,000	14.50	12.00	1,085	5987310
	CA*F3743*6D*	A*VM960604CXB*	34,600	27,000	14.50	12.00	1,140	5987295
	CA*F3743*6D*	AMEH961005DXA*	34,600	27,000	15.00	12.50	1,050	6945129
	CA*F3743*6D*	G*VM960805CXB*	34,600	27,000	14.50	12.00	1,175	5986903
	CA*F3743*6D*	A*VC961005CNA*	34,000	26,400	14.50	12.00	1,020	7355830
	CA*F3743*6D*	G*VC950704CXB*	34,600	27,000	14.50	12.00	1,120	5986877
	CA*F3743*6D*	G*EC961205DNA*	34,000	26,400	15.00	12.50	1,100	7365851
	CA*F3743*6D*	A*VM970804CNA*	34,000	26,400	14.50	12.00	980	7355669
	CA*F3743*6D*	G*VC950905DXB*	34,600	27,000	14.50	12.00	1,145	5986888
CA*F3743*6D*	A*EH800805C*A*	34,600	27,000	14.50	12.00	1,180	6945127	
CA*F3743*6D*	A*VM960805DXB*	34,600	27,000	14.50	12.00	1,205	5987303	
CA*F3743*6D*	G*VC961005CNA*	34,000	26,400	14.50	12.00	1,020	7355740	
CA*F3743*6D*	A*VC950905CXB*	34,600	27,000	15.00	12.50	1,175	5987280	
CA*F3743*6D*	GME951005DXA*	34,600	27,000	15.00	12.50	1,050	5986930	
CA*F3743*6D*	G*EC960603BNA*	34,200	26,600	14.00	12.00	1,175	7365826	
CA*F3743*6D*	A*VM971205DNA*	34,600	27,000	15.00	12.00	1,060	7355885	
CA*F3743*6D*	GME950805CXA*	34,600	27,000	14.50	12.00	1,110	5986926	
CA*F3743*6D*	G*VM971205DNA*	34,600	27,000	15.00	12.00	1,060	7355800	
CA*F3743*6D*	G*VM960604CXB*	34,600	27,000	14.50	12.00	1,140	5986899	
CA*F3743*6D*	G*VM960805DXB*	34,600	27,000	14.50	12.00	1,205	5986907	
CA*F3743*6D*	A*VM971005CNA*	34,000	26,400	14.50	12.00	1,020	7355872	

See Notes on Page 85.

OUTDOOR UNIT	0.1672		COOLING RATINGS				CFM	AHRI #
	COILS/AIR HANDLERS	FURNACES	TOTAL <sup>1</sup>	SENS. <sup>1</sup>	SEER <sup>2</sup>	EER <sup>3</sup>		
GSX16 0361F* (cont.)	CA*F3743*6D*	A*EC960803BNA*	33,600	26,200	14.00	12.00	1,175	7365997
	CA*F3743*6D*	AMEH960805CXA*	34,600	27,000	14.50	12.00	1,110	6945128
	CA*F3743*6D*	G*VM961155DXB*	34,600	27,000	14.50	12.00	1,085	5986914
	CA*F3743*6D*	A*VM960805CXB*	34,600	27,000	14.50	12.00	1,175	5987299
	CA*F3743*6D*	A*VC961205DNA*	34,600	27,000	15.00	12.00	1,060	7355843
	CA*F3743*6D*	G*VM970804CNA*	34,000	26,400	14.50	12.00	980	7355342
	CA*F3743*6D*	G*E80603B*B*	34,600	27,000	14.50	12.00	1,150	5986858
	CA*F3743*6D*	G*VC961205DNA*	34,600	27,000	15.00	12.00	1,060	7355754
	CA*F3743*6D*	G*EC960803BNA*	33,600	26,200	14.00	12.00	1,175	7365835
	CA*F3743*6D*	G*VM971005CNA*	34,000	26,400	14.50	12.00	1,020	7355787
	CA*F3743*6D*	G*VC80805C*B*	34,600	27,000	15.50	12.50	1,180	5986868
	CA*F3743*6D*	A*VM961005DXB*	34,600	27,000	14.50	12.00	1,085	5987306
	CA*F3743*6D*	A*VC81005C*B*	34,600	27,000	15.50	12.50	1,200	5987267
	CA*F3743*6D*	A*EH800603B*A*	34,600	27,000	14.50	12.00	1,150	6945126
	CA*F3743*6D*	G*VC951155DXB*	34,600	27,000	14.50	12.00	1,190	5986894
	CA*F3743*6D*	G*VC960804CNA*	34,000	26,400	14.50	12.00	980	7355195
	CA*F3743*6D*	G*VC81005C*B*	34,600	27,000	15.50	12.50	1,200	5986872
	CA*F3743*6D*	A*EC960603BNA*	34,200	26,600	14.00	12.00	1,175	7365988
	CA*F3743*6D*	A*EC961205DNA*	34,000	26,400	15.00	12.50	1,100	7366013
	CA*F3743*6D*	G*VC950905CXB*	34,600	27,000	15.00	12.50	1,175	5986884
	CA*F3743*6D*	G*VM961005DXB*	34,600	27,000	14.50	12.00	1,085	5986910
	CA*F3743*6D*	A*VC960804CNA*	34,000	26,400	14.50	12.00	980	7355522
	CA*F3743*6D*	A*VC80805C*B*	34,600	27,000	15.50	12.50	1,180	5987262
	CA*F3743*6D*	G*EC961004CNA*	34,000	26,400	14.50	12.00	1,175	7365842
	CA*F3743*6D*	A*VC950905DXB*	34,600	27,000	14.50	12.00	1,145	5987284
	CA*F3743*6D*	A*VC951155DXB*	34,600	27,000	14.50	12.00	1,190	5987290
	CA*F3743*6D*	G*E80805C*B*	34,600	27,000	14.50	12.00	1,180	5986860
	CA*F3743*6D*+EEP		34,600	27,000	14.00	12.00	1,200	5986842
	CA*F3743*6D*+EEP+TXV		34,600	27,000	14.50	12.00	1,200	5983571
	CA*F3743*6D*+MBVC1600**-1A*		34,600	27,000	15.00	12.50	1,200	5986843
	CA*F3743*6D*+MBVC1600**-1A*+TXV		34,600	27,000	15.50	12.50	1,200	5983572
	CA*F3743*6D*+MBVC2000**-1A*		34,600	27,000	15.00	12.50	1,120	5986844
	CA*F3743*6D*+MBVC2000**-1A*+TXV		34,600	27,000	15.50	12.50	1,120	5983573
	CA*F3743*6D*+TXV	G*VC961005CNA*	34,000	26,400	15.00	12.50	1,020	7355739
	CA*F3743*6D*+TXV	G*EC961004CNA*	34,000	26,400	15.00	12.50	1,175	7365843
	CA*F3743*6D*+TXV	A*VC961005CNA*	34,000	26,400	15.00	12.50	1,020	7355829
	CA*F3743*6D*+TXV	G*VC950905DXB*	34,600	27,000	15.00	12.50	1,145	5983613
	CA*F3743*6D*+TXV	A*EC961004CNA*	34,000	26,400	15.00	12.50	1,175	7366005
	CA*F3743*6D*+TXV	G*VM971005CNA*	34,000	26,400	15.00	12.50	1,020	7355786
	CA*F3743*6D*+TXV	A*EC961205DNA*	34,000	26,400	15.50	12.50	1,100	7366014
CA*F3743*6D*+TXV	A*EC960603BNA*	34,200	26,600	14.50	12.00	1,175	7365989	
CA*F3743*6D*+TXV	G*EC960603BNA*	34,200	26,600	14.50	12.00	1,175	7365827	
CA*F3743*6D*+TXV	G*E80805C*B*	34,600	27,000	15.00	12.50	1,180	5983588	
CA*F3743*6D*+TXV	G*EC961205DNA*	34,000	26,400	15.50	12.50	1,100	7365852	
CA*F3743*6D*+TXV	A*VM971005CNA*	34,000	26,400	15.00	12.50	1,020	7355871	
CA*F3743*6D*+TXV	A*VM961005DXB*	34,600	27,000	15.00	12.50	1,085	5984048	
CA*F3743*6D*+TXV	GME950805CXA*	34,600	27,000	15.00	12.50	1,110	5983652	
CA*F3743*6D*+TXV	G*VC81005C*B*	34,600	27,000	15.00	12.50	1,200	5983597	
CA*F3743*6D*+TXV	A*VC951155DXB*	34,600	27,000	15.00	12.50	1,190	5983986	
CA*F3743*6D*+TXV	G*E80603B*B*	34,600	27,000	15.00	12.50	1,150	5983586	
CA*F3743*6D*+TXV	AMEH961005DXA*	34,600	27,000	15.50	12.50	1,050	6945133	
CA*F3743*6D*+TXV	G*VM960805CXB*	34,600	27,000	15.00	12.50	1,175	5983630	
CA*F3743*6D*+TXV	G*VM970804CNA*	34,000	26,400	15.00	12.50	980	7355341	
CA*F3743*6D*+TXV	A*VC961205DNA*	34,600	27,000	15.50	12.50	1,060	7355842	

See Notes on Page 85.

OUTDOOR UNIT	0.1672		COOLING RATINGS				CFM	AHRI #
	COILS/AIR HANDLERS	FURNACES	TOTAL <sup>1</sup>	SENS. <sup>1</sup>	SEER <sup>2</sup>	EER <sup>3</sup>		
GSX16 0361F* (cont.)	CA*F3743*6D*+TXV	GME951005DXA*	34,600	27,000	15.50	12.50	1,050	5983655
	CA*F3743*6D*+TXV	G*VM971205DNA*	34,600	27,000	15.50	12.50	1,060	7355799
	CA*F3743*6D*+TXV	G*VM960805DXB*	34,600	27,000	15.00	12.50	1,205	5983633
	CA*F3743*6D*+TXV	A*EH800603B*A*	34,600	27,000	15.00	12.50	1,150	6945130
	CA*F3743*6D*+TXV	A*VM960604CXB*	34,600	27,000	15.00	12.50	1,140	5984038
	CA*F3743*6D*+TXV	A*EC960803BNA*	33,600	26,200	14.50	12.00	1,175	7365998
	CA*F3743*6D*+TXV	A*VM960805DXB*	34,600	27,000	15.00	12.50	1,205	5984044
	CA*F3743*6D*+TXV	G*VM960604CXB*	34,600	27,000	15.00	12.50	1,140	5983627
	CA*F3743*6D*+TXV	A*VM960805CXB*	34,600	27,000	15.00	12.50	1,175	5984041
	CA*F3743*6D*+TXV	A*VC81005C*B*	34,600	27,000	15.00	12.50	1,200	5983965
	CA*F3743*6D*+TXV	G*VC961205DNA*	34,600	27,000	15.50	12.50	1,060	7355753
	CA*F3743*6D*+TXV	G*VC950704CXB*	34,600	27,000	15.00	12.50	1,120	5983602
	CA*F3743*6D*+TXV	G*VC950905CXB*	34,600	27,000	15.00	12.50	1,175	5983609
	CA*F3743*6D*+TXV	A*VC950905DXB*	34,600	27,000	15.00	12.50	1,145	5983981
	CA*F3743*6D*+TXV	A*VC80805C*B*	34,600	27,000	15.00	12.50	1,180	5983961
	CA*F3743*6D*+TXV	AMEH960805CXA*	34,600	27,000	15.00	12.50	1,110	6945132
	CA*F3743*6D*+TXV	G*VM961005DXB*	34,600	27,000	15.00	12.50	1,085	5983637
	CA*F3743*6D*+TXV	A*VC950704CXB*	34,600	27,000	15.00	12.50	1,120	5983970
	CA*F3743*6D*+TXV	A*VM961155DXB*	34,600	27,000	15.00	12.50	1,085	5984052
	CA*F3743*6D*+TXV	A*VC950905CXB*	34,600	27,000	15.00	12.50	1,175	5983977
	CA*F3743*6D*+TXV	A*VC950915DXB*	34,600	27,000	15.00	12.50	1,205	5984034
	CA*F3743*6D*+TXV	A*VC960804CNA*	34,000	26,400	15.00	12.50	980	7355521
	CA*F3743*6D*+TXV	G*EC960803BNA*	33,600	26,200	14.50	12.00	1,175	7365836
	CA*F3743*6D*+TXV	G*VC80805C*B*	34,600	27,000	15.00	12.50	1,180	5983593
	CA*F3743*6D*+TXV	G*VM961155DXB*	34,600	27,000	15.00	12.50	1,085	5983641
	CA*F3743*6D*+TXV	A*EH800805C*A*	34,600	27,000	15.00	12.50	1,180	6945131
	CA*F3743*6D*+TXV	G*VC960804CNA*	34,000	26,400	15.00	12.50	980	7355194
	CA*F3743*6D*+TXV	G*VC951155DXB*	34,600	27,000	15.00	12.50	1,190	5983622
	CA*F3743*6D*+TXV	A*VM971205DNA*	34,600	27,000	15.50	12.50	1,060	7355884
	CA*F3743*6D*+TXV	G*VC950915DXB*	34,600	27,000	15.00	12.50	1,205	5983618
	CA*F3743*6D*+TXV	A*VM970804CNA*	34,000	26,400	15.00	12.50	980	7355668
	CA*F4860*6D*	G*E80805C*B*	34,600	27,000	15.50	12.50	1,180	5986861
	CA*F4860*6D*	A*EC961004CNA*	34,000	26,400	15.00	12.50	1,175	7366006
	CA*F4860*6D*	G*VM971005CNA*	34,000	26,400	15.00	12.50	1,020	7355789
	CA*F4860*6D*	AMEH960603BXA*	34,600	27,000	14.00	11.50	1,165	6945136
	CA*F4860*6D*	G*VC951155DXB*	34,600	27,000	15.50	12.50	1,190	5986895
	CA*F4860*6D*	G*EC961205DNA*	34,000	26,400	15.00	12.50	1,100	7365853
	CA*F4860*6D*	A*EH801005C*A*	34,600	27,000	15.50	12.50	1,200	6945135
	CA*F4860*6D*	A*VM961005DXB*	34,600	27,000	14.50	12.00	1,085	5987307
	CA*F4860*6D*	G*E81005C*B*	34,600	27,000	15.50	12.50	1,200	5986865
	CA*F4860*6D*	A*VC950905CXB*	34,600	27,000	15.50	12.50	1,175	5987281
	CA*F4860*6D*	AMEH960805CXA*	34,600	27,000	15.50	12.50	1,110	6945137
CA*F4860*6D*	A*VM960805CXB*	34,600	27,000	15.00	12.50	1,175	5987300	
CA*F4860*6D*	G*VC950905CXB*	34,600	27,000	15.50	12.50	1,175	5986885	
CA*F4860*6D*	G*VM970804CNA*	34,000	26,400	15.00	12.00	980	7355344	
CA*F4860*6D*	G*VC950704CXB*	34,600	27,000	15.00	12.50	1,120	5986878	
CA*F4860*6D*	G*EC960803BNA*	34,000	26,400	14.00	11.50	1,175	7365837	
CA*F4860*6D*	GME950603BXA*	34,600	27,000	14.00	11.50	1,165	5986922	
CA*F4860*6D*	A*VM961155DXB*	34,600	27,000	15.00	12.50	1,085	5987311	
CA*F4860*6D*	A*VC950905DXB*	34,600	27,000	15.50	12.50	1,145	5987285	
CA*F4860*6D*	GME950805CXA*	34,600	27,000	15.50	12.50	1,110	5986927	
CA*F4860*6D*	A*EC960803BNA*	34,000	26,400	14.00	11.50	1,175	7365999	
CA*F4860*6D*	A*VC81005C*B*	34,600	27,000	15.00	12.50	1,200	5987268	
CA*F4860*6D*	G*VC950905DXB*	34,600	27,000	15.50	12.50	1,145	5986889	

See Notes on Page 85.

OUTDOOR UNIT	0.1672		COOLING RATINGS				CFM	AHRI #	
	COILS/AIR HANDLERS	FURNACES	TOTAL <sup>1</sup>	SENS. <sup>1</sup>	SEER <sup>2</sup>	EER <sup>3</sup>			
GSX16 0361F* (cont.)	CA*F4860*6D*	AMEH961005DXA*	34,600	27,000	15.50	12.50	1,050	6945138	
	CA*F4860*6D*	A*VC960804CNA*	34,000	26,400	15.00	12.00	980	7355524	
	CA*F4860*6D*	G*VC950714CXB*	34,600	27,000	15.00	12.50	1,125	5986881	
	CA*F4860*6D*	G*VC960804CNA*	34,000	26,400	15.00	12.00	980	7355197	
	CA*F4860*6D*	G*VM960604CXB*	34,600	27,000	14.50	12.00	1,140	5986900	
	CA*F4860*6D*	G*VC961005CNA*	34,000	26,400	15.00	12.50	1,020	7355742	
	CA*F4860*6D*	A*VM970804CNA*	34,000	26,400	15.00	12.00	980	7355671	
	CA*F4860*6D*	G*VM960805DXB*	34,600	27,000	15.50	12.50	1,205	5986908	
	CA*F4860*6D*	A*VM960604CXB*	34,600	27,000	14.50	12.00	1,140	5987296	
	CA*F4860*6D*	G*EC961004CNA*	34,000	26,400	15.00	12.50	1,175	7365844	
	CA*F4860*6D*	A*VC961005CNA*	34,000	26,400	15.00	12.50	1,020	7355832	
	CA*F4860*6D*	G*VM960805CXB*	34,600	27,000	15.00	12.50	1,175	5986904	
	CA*F4860*6D*	A*VM960805DXB*	34,600	27,000	15.50	12.50	1,205	5987304	
	CA*F4860*6D*	A*VC951155DXB*	34,600	27,000	15.50	12.50	1,190	5987291	
	CA*F4860*6D*	G*VM961155DXB*	34,600	27,000	15.00	12.50	1,085	5986915	
	CA*F4860*6D*	G*VC950915DXB*	34,600	27,000	15.50	12.50	1,205	5986892	
	CA*F4860*6D*	ADVC80805C*B*	34,600	27,000	15.00	12.50	1,200	5986918	
	CA*F4860*6D*	A*EH800805C*A*	34,600	27,000	15.50	12.50	1,180	6945134	
	CA*F4860*6D*	A*VC950714CXB*	34,600	27,000	15.00	12.50	1,125	5987277	
	CA*F4860*6D*	G*EC960603BNA*	34,600	27,000	14.00	11.50	1,175	7365828	
	CA*F4860*6D*	G*VM961005DXB*	34,600	27,000	14.50	12.00	1,085	5986911	
	CA*F4860*6D*	A*EC961205DNA*	34,000	26,400	15.00	12.50	1,100	7366015	
	CA*F4860*6D*	G*VC81005C*B*	34,600	27,000	15.00	12.50	1,200	5986873	
	CA*F4860*6D*	GME951005DXA*	34,600	27,000	15.50	12.50	1,050	5986931	
	CA*F4860*6D*	A*VC80805C*B*	34,600	27,000	15.00	12.50	1,180	5987263	
	CA*F4860*6D*	G*VC80805C*B*	34,600	27,000	15.00	12.50	1,180	5986869	
	CA*F4860*6D*	ADVC81005C*B*	34,600	27,000	15.00	12.50	1,115	5986919	
	CA*F4860*6D*	A*EC960603BNA*	34,600	27,000	14.00	11.50	1,175	7365990	
	CA*F4860*6D*	A*VC950704CXB*	34,600	27,000	15.00	12.50	1,120	5987274	
	CA*F4860*6D*	A*VC950915DXB*	34,600	27,000	15.50	12.50	1,205	5987288	
	CA*F4860*6D*	A*VM971005CNA*	34,000	26,400	15.00	12.50	1,020	7355874	
	CA*F4860*6D*+EEP			34,600	27,000	14.00	12.00	1,200	5986845
	CA*F4860*6D*+EEP+TXV			34,800	27,000	14.50	12.00	1,200	5753036
	CA*F4860*6D*+MBVC2000**-1A*			34,600	27,000	15.50	12.50	1,120	5986846
	CA*F4860*6D*+MBVC2000**-1A*+TXV			34,600	27,000	16.00	13.00	1,120	5983574
	CA*F4860*6D*+TXV	G*VM961005DXB*		34,600	27,000	15.00	12.50	1,085	5983638
	CA*F4860*6D*+TXV	G*VC950905DXB*		34,600	27,000	15.00	12.50	1,145	5983614
	CA*F4860*6D*+TXV	G*VC950704CXB*		34,600	27,000	15.50	12.50	1,120	5983603
	CA*F4860*6D*+TXV	A*VM971205DNA*		34,600	27,000	16.00	13.00	1,060	7355886
	CA*F4860*6D*+TXV	G*VC950714CXB*		34,600	27,000	15.00	12.50	1,125	5983606
CA*F4860*6D*+TXV	ADVC81005C*B*		34,600	27,000	15.50	12.50	1,115	5983646	
CA*F4860*6D*+TXV	G*VC81005C*B*		34,600	27,000	15.50	12.50	1,200	5983598	
CA*F4860*6D*+TXV	G*E80805C*B*		34,000	26,400	16.00	13.00	1,000	5753040	
CA*F4860*6D*+TXV	A*VM961005DXB*		34,600	27,000	15.00	12.50	1,085	5984049	
CA*F4860*6D*+TXV	A*VM971005CNA*		34,000	26,400	15.50	12.50	1,020	7355873	
CA*F4860*6D*+TXV	A*VC950714CXB*		34,600	27,000	15.00	12.50	1,125	5983974	
CA*F4860*6D*+TXV	GME951005DXA*		34,600	27,000	16.00	13.00	1,050	5983656	
CA*F4860*6D*+TXV	A*VC961205DNA*		34,600	27,000	16.00	13.00	1,060	7355844	
CA*F4860*6D*+TXV	AMEH960805CXA*		34,000	26,400	16.00	13.00	1,000	6945142	
CA*F4860*6D*+TXV	G*VC950905CXB*		34,600	27,000	15.50	12.50	1,175	5983610	
CA*F4860*6D*+TXV	A*VM960805DXB*		34,600	27,000	15.00	12.50	1,205	5984045	
CA*F4860*6D*+TXV	G*VC960804CNA*		34,000	26,400	15.50	12.50	980	7355196	
CA*F4860*6D*+TXV	G*VM970804CNA*		34,000	26,400	15.50	12.50	980	7355343	
CA*F4860*6D*+TXV	A*EH801005C*A*		34,600	27,000	15.50	12.50	1,200	6945140	

See Notes on Page 85.

OUTDOOR UNIT	0.1672		COOLING RATINGS				CFM	AHRI #
	COILS/AIR HANDLERS	FURNACES	TOTAL <sup>1</sup>	SENS. <sup>1</sup>	SEER <sup>2</sup>	EER <sup>3</sup>		
GSX16 0361F* (cont.)	CA*F4860*6D*+TXV	G*EC961004CNA*	34,000	26,400	15.50	12.50	1,175	7365845
	CA*F4860*6D*+TXV	G*EC960603BNA*	34,600	27,000	15.00	12.50	1,175	7365829
	CA*F4860*6D*+TXV	A*VM970804CNA*	34,000	26,400	15.50	12.50	980	7355670
	CA*F4860*6D*+TXV	G*VM971005CNA*	34,000	26,400	15.50	12.50	1,020	7355788
	CA*F4860*6D*+TXV	G*VC950915DXB*	34,600	27,000	15.00	12.50	1,205	5983619
	CA*F4860*6D*+TXV	A*VM961155DXB*	34,600	27,000	15.50	12.50	1,085	5984053
	CA*F4860*6D*+TXV	A*VC960804CNA*	34,000	26,400	15.50	12.50	980	7355523
	CA*F4860*6D*+TXV	G*VM961155DXB*	34,600	27,000	15.50	12.50	1,085	5983642
	CA*F4860*6D*+TXV	A*VC80805C*B*	34,600	27,000	15.50	12.50	1,180	5983962
	CA*F4860*6D*+TXV	A*VC950704CXB*	34,600	27,000	15.50	12.50	1,120	5983971
	CA*F4860*6D*+TXV	AMEH960603BXA*	34,600	27,000	15.00	12.50	1,165	6945141
	CA*F4860*6D*+TXV	AMEH961005DXA*	34,600	27,000	16.00	13.00	1,050	6945143
	CA*F4860*6D*+TXV	A*VC950905CXB*	34,600	27,000	15.50	12.50	1,175	5983978
	CA*F4860*6D*+TXV	ADVC80805C*B*	34,600	27,000	15.50	12.50	1,200	5983645
	CA*F4860*6D*+TXV	G*VC951155DXB*	34,600	27,000	16.00	13.00	1,190	5983623
	CA*F4860*6D*+TXV	A*EC960603BNA*	34,600	27,000	15.00	12.50	1,175	7365991
	CA*F4860*6D*+TXV	A*EC961004CNA*	34,000	26,400	15.50	12.50	1,175	7366007
	CA*F4860*6D*+TXV	G*VM971205DNA*	34,600	27,000	16.00	13.00	1,060	7355802
	CA*F4860*6D*+TXV	A*VC950915DXB*	34,600	27,000	15.00	12.50	1,205	5984035
	CA*F4860*6D*+TXV	G*VM960805DXB*	34,600	27,000	15.00	12.50	1,205	5983634
	CA*F4860*6D*+TXV	A*EC961205DNA*	34,000	26,400	15.50	12.50	1,100	7366016
	CA*F4860*6D*+TXV	A*VC951155DXB*	34,600	27,000	16.00	13.00	1,190	5983987
	CA*F4860*6D*+TXV	G*E81005C*B*	34,600	27,000	15.50	12.50	1,200	5983591
	CA*F4860*6D*+TXV	A*VC961005CNA*	34,000	26,400	15.50	12.50	1,020	7355831
	CA*F4860*6D*+TXV	G*VC961205DNA*	34,600	27,000	16.00	13.00	1,060	7355755
	CA*F4860*6D*+TXV	A*VC950905DXB*	34,600	27,000	15.00	12.50	1,145	5983982
	CA*F4860*6D*+TXV	G*EC960803BNA*	34,000	26,400	15.00	12.50	1,175	7365838
	CA*F4860*6D*+TXV	GME950603BXA*	34,600	27,000	15.00	12.50	1,165	5983648
	CA*F4860*6D*+TXV	G*VC80805C*B*	34,600	27,000	15.50	12.50	1,180	5983594
	CA*F4860*6D*+TXV	A*VC81005C*B*	34,600	27,000	15.50	12.50	1,200	5983966
	CA*F4860*6D*+TXV	G*EC961205DNA*	34,000	26,400	15.50	12.50	1,100	7365854
	CA*F4860*6D*+TXV	A*EH800805C*A*	34,000	26,400	16.00	13.00	1,000	6945139
	CA*F4860*6D*+TXV	G*VC961005CNA*	34,000	26,400	15.50	12.50	1,020	7355741
	CA*F4860*6D*+TXV	A*EC960803BNA*	34,000	26,400	15.00	12.50	1,175	7366000
	CA*F4860*6D*+TXV	GME950805CXA*	34,000	26,400	16.00	13.00	1,000	5753042
	CA*F4961*6D*	G*VC950915DXB*	35,000	27,200	15.00	12.50	1,205	5986893
	CA*F4961*6D*	A*VC950714CXB*	35,000	27,200	15.00	12.50	1,125	5987278
	CA*F4961*6D*	G*VC950714CXB*	35,000	27,200	15.00	12.50	1,125	5986882
	CA*F4961*6D*	A*EH800805C*A*	35,000	27,200	15.50	12.50	1,180	6945144
	CA*F4961*6D*	A*VC950915DXB*	35,000	27,200	15.00	12.50	1,205	5987289
	CA*F4961*6D*	G*E80805C*B*	35,000	27,200	15.50	12.50	1,180	5986862
	CA*F4961*6D*+EEP		35,000	27,200	14.50	12.00	1,200	5986847
CA*F4961*6D*+EEP+TXV		35,000	27,200	15.00	12.50	1,100	5753037	
CA*F4961*6D*+MBVC1600*-1A*		35,000	27,200	15.50	12.50	1,200	5986848	
CA*F4961*6D*+MBVC1600*-1A*+TXV		35,000	27,200	16.00	13.00	1,200	5983575	
CA*F4961*6D*+TXV	G*VC950714CXB*	35,000	27,200	15.50	12.50	1,125	5983607	
CA*F4961*6D*+TXV	G*VC960804CNA*	34,400	26,800	16.00	13.00	980	7355199	
CA*F4961*6D*+TXV	A*VM960805CXB*	34,600	27,000	15.20	12.50	1,175	6107351	
CA*F4961*6D*+TXV	A*VC950915DXB*	35,000	27,200	15.50	12.50	1,205	5984036	
CA*F4961*6D*+TXV	G*VM971205DNA*	34,800	27,000	16.00	13.00	1,060	7355804	
CA*F4961*6D*+TXV	G*VM960805CXB*	34,600	27,000	15.20	12.50	1,175	6107338	
CA*F4961*6D*+TXV	G*VM960604CXB*	34,600	27,000	15.20	12.50	1,140	6107337	
CA*F4961*6D*+TXV	A*VC961005CNA*	34,400	26,800	16.00	13.00	1,020	7355834	
CA*F4961*6D*+TXV	G*VC950915DXB*	35,000	27,200	15.50	12.50	1,205	5983620	

See Notes on Page 85.

OUTDOOR UNIT	0.1672		COOLING RATINGS				CFM	AHRI #
	COILS/AIR HANDLERS	FURNACES	TOTAL <sup>1</sup>	SENS. <sup>1</sup>	SEER <sup>2</sup>	EER <sup>3</sup>		
GSX16 0361F* (cont.)	CA*F4961*6D*+TXV	A*VM971005CNA*	34,400	26,800	16.00	13.00	1,020	7355876
	CA*F4961*6D*+TXV	G*VC961205DNA*	34,800	27,000	16.00	13.00	1,060	7355757
	CA*F4961*6D*+TXV	G*E80805C*B*	35,000	27,200	16.00	13.00	1,180	5983589
	CA*F4961*6D*+TXV	A*EC961205DNA*	34,800	27,000	16.00	13.00	1,100	7366018
	CA*F4961*6D*+TXV	G*VM971005CNA*	34,400	26,800	16.00	13.00	1,020	7355791
	CA*F4961*6D*+TXV	A*VM960604CXB*	34,600	27,000	15.20	12.50	1,140	6107350
	CA*F4961*6D*+TXV	A*VC961205DNA*	34,800	27,000	16.00	13.00	1,060	7355846
	CA*F4961*6D*+TXV	A*VC950714CXB*	35,000	27,200	15.50	12.50	1,125	5983975
	CA*F4961*6D*+TXV	G*EC961205DNA*	34,800	27,000	16.00	13.00	1,100	7365856
	CA*F4961*6D*+TXV	G*VC961005CNA*	34,400	26,800	16.00	13.00	1,020	7355744
	CA*F4961*6D*+TXV	A*VM971205DNA*	34,800	27,000	16.00	13.00	1,060	7355888
	CA*F4961*6D*+TXV	A*VC960804CNA*	34,400	26,800	16.00	13.00	980	7355526
	CA*F4961*6D*+TXV	A*EH800805C*A*	35,000	27,200	16.00	13.00	1,180	6945145
	CA*F4961*6D*+TXV	A*VM970804CNA*	34,400	26,800	16.00	13.00	980	7355673
	CA*F4961*6D*+TXV	G*VM970804CNA*	34,400	26,800	16.00	13.00	980	7355346
	CAPT3743*4A*	AMEH961005DXA*	34,600	27,000	15.50	12.50	1,050	6945152
	CAPT3743*4A*	AMEH960403BXA*	34,600	27,000	14.50	12.50	1,150	6945149
	CAPT3743*4A*	G*VC950905CXB*	34,600	27,000	15.00	12.50	1,175	5983611
	CAPT3743*4A*	AMEH960603BXA*	34,600	27,000	14.00	12.00	1,150	6945150
	CAPT3743*4A*	A*EC961004CNA*	34,000	26,400	15.00	12.50	1,175	7366008
	CAPT3743*4A*	A*VC951155DXB*	34,600	27,000	15.00	12.50	1,190	5983988
	CAPT3743*4A*	A*VC961205DNA*	34,600	27,000	15.00	12.50	1,060	7355845
	CAPT3743*4A*	A*VM971205DNA*	34,600	27,000	15.00	12.50	1,060	7355887
	CAPT3743*4A*	G*VM961155DXB*	34,600	27,000	15.00	12.50	1,085	5983643
	CAPT3743*4A*	A*VC80805C*B*	34,600	27,000	15.00	12.50	1,200	6494140
	CAPT3743*4A*	G*VM960603BXB*	34,600	27,000	14.50	12.50	1,200	6494136
	CAPT3743*4A*	G*E80603B*B*	34,600	27,000	14.50	12.50	1,150	6494134
	CAPT3743*4A*	G*E81005C*B*	34,600	27,000	15.00	12.50	1,200	6494128
	CAPT3743*4A*	A*VC960804CNA*	34,000	26,400	15.00	12.50	980	7355525
	CAPT3743*4A*	G*VC80604B*B*	34,600	27,000	15.00	12.50	1,125	6494124
	CAPT3743*4A*	GME950603BXA*	34,600	27,000	14.00	12.00	1,150	6494137
	CAPT3743*4A*	A*VC950453BXB*	34,600	27,000	14.00	12.00	1,200	6494145
	CAPT3743*4A*	G*VC961205DNA*	34,600	27,000	15.00	12.50	1,060	7355756
	CAPT3743*4A*	A*VC950915DXB*	34,600	27,000	15.00	12.50	1,205	5984037
	CAPT3743*4A*	A*EC960603BNA*	34,600	27,000	14.00	12.00	1,175	7365992
	CAPT3743*4A*	G*VC950915DXB*	34,600	27,000	15.00	12.50	1,205	5983621
	CAPT3743*4A*	A*EC961205DNA*	34,000	26,400	15.50	12.50	1,100	7366017
	CAPT3743*4A*	A*VM971005CNA*	34,000	26,400	15.00	12.50	1,020	7355875
	CAPT3743*4A*	A*EH800603B*A*	34,600	27,000	14.50	12.50	1,150	6945146
	CAPT3743*4A*	G*VM960805CXB*	34,600	27,000	15.00	12.50	1,175	5983631
	CAPT3743*4A*	A*VC950905DXB*	34,600	27,000	15.00	12.50	1,145	5983983
	CAPT3743*4A*	G*VM970804CNA*	34,000	26,400	15.00	12.50	980	7355345
CAPT3743*4A*	G*EC961205DNA*	34,000	26,400	15.50	12.50	1,100	7365855	
CAPT3743*4A*	A*VC81005C*B*	34,600	27,000	15.00	12.50	1,200	6494141	
CAPT3743*4A*	G*VC960804CNA*	34,000	26,400	15.00	12.50	980	7355198	
CAPT3743*4A*	A*VC950714CXB*	34,600	27,000	14.50	12.50	1,150	6494142	
CAPT3743*4A*	A*EH801005C*A*	34,600	27,000	15.00	12.50	1,200	6945148	
CAPT3743*4A*	A*VC961005CNA*	34,000	26,400	15.00	12.50	1,020	7355833	
CAPT3743*4A*	G*VM960604CXB*	34,600	27,000	14.50	12.50	1,150	6494132	
CAPT3743*4A*	A*VM961005DXB*	34,600	27,000	15.00	12.50	1,085	5984050	
CAPT3743*4A*	A*VC950905CXB*	34,600	27,000	15.00	12.50	1,175	5983979	
CAPT3743*4A*	A*VM960604CXB*	34,600	27,000	14.50	12.50	1,150	6494143	

See Notes on Page 85.

OUTDOOR UNIT	0.1672		COOLING RATINGS				CFM	AHRI #	
	COILS/AIR HANDLERS	FURNACES	TOTAL <sup>1</sup>	SENS. <sup>1</sup>	SEER <sup>2</sup>	EER <sup>3</sup>			
GSX16 0361F* (cont.)	CAPT3743*4A*	A*VM960603BXB*	34,600	27,000	14.50	12.50	1,200	6494144	
	CAPT3743*4A*	G*VC961005CNA*	34,000	26,400	15.00	12.50	1,020	7355743	
	CAPT3743*4A*	G*EC961004CNA*	34,000	26,400	15.00	12.50	1,175	7365846	
	CAPT3743*4A*	A*EC960803BNA*	34,000	26,400	14.00	12.00	1,175	7366001	
	CAPT3743*4A*	G*VC950714CXB*	34,600	27,000	14.50	12.50	1,150	6494131	
	CAPT3743*4A*	G*VC950905DXB*	34,600	27,000	15.00	12.50	1,145	5983615	
	CAPT3743*4A*	G*VC80805C*B*	34,600	27,000	15.00	12.50	1,200	6494126	
	CAPT3743*4A*	A*VM970804CNA*	34,000	26,400	15.00	12.50	980	7355672	
	CAPT3743*4A*	G*VM971005CNA*	34,000	26,400	15.00	12.50	1,020	7355790	
	CAPT3743*4A*	A*VM960805DXB*	34,600	27,000	15.00	12.50	1,205	5984046	
	CAPT3743*4A*	ADVC81005C*B*	34,000	26,400	15.00	12.50	1,115	6494123	
	CAPT3743*4A*	G*VC950453BXB*	34,600	27,000	14.00	12.00	1,200	6494138	
	CAPT3743*4A*	A*VC950704CXB*	34,600	27,000	15.00	12.50	1,120	5983972	
	CAPT3743*4A*	G*EC960603BNA*	34,600	27,000	14.00	12.00	1,175	7365830	
	CAPT3743*4A*	A*VC80604B*B*	34,600	27,000	15.00	12.50	1,125	6494139	
	CAPT3743*4A*	G*VC81005C*B*	34,600	27,000	15.00	12.50	1,200	6494127	
	CAPT3743*4A*	G*VC951155DXB*	34,600	27,000	15.00	12.50	1,190	5983624	
	CAPT3743*4A*	G*E80805C*B*	34,600	27,000	15.00	12.50	1,200	6494129	
	CAPT3743*4A*	G*VC950704CXB*	34,600	27,000	15.00	12.50	1,120	5983604	
	CAPT3743*4A*	G*VM971205DNA*	34,600	27,000	15.00	12.50	1,060	7355803	
	CAPT3743*4A*	GME950403BXA*	34,600	27,000	14.50	12.50	1,150	6494135	
	CAPT3743*4A*	GME951005DXA*	34,600	27,000	15.50	12.50	1,050	5983657	
	CAPT3743*4A*	A*VM960805CXB*	34,600	27,000	15.00	12.50	1,175	5984042	
	CAPT3743*4A*	G*EC960803BNA*	34,000	26,400	14.00	12.00	1,175	7365839	
	CAPT3743*4A*	AMEH960805CXA*	34,600	27,000	15.00	12.50	1,110	6945151	
	CAPT3743*4A*	ADVC80603B*B*	34,600	27,000	14.50	12.50	1,175	6494133	
	CAPT3743*4A*	G*VM961005DXB*	34,600	27,000	15.00	12.50	1,085	5983639	
	CAPT3743*4A*	GME950805CXA*	34,600	27,000	15.00	12.50	1,110	5983653	
	CAPT3743*4A*	A*EH800805C*A*	34,600	27,000	15.00	12.50	1,200	6945147	
	CAPT3743*4A*	ADVC80805C*B*	34,600	27,000	15.00	12.50	1,200	6494125	
	CAPT3743*4A*	G*VM960805DXB*	34,600	27,000	15.00	12.50	1,205	5983635	
	CAPT3743*4A*	A*VM961155DXB*	34,600	27,000	15.00	12.50	1,085	5984054	
	CAPT3743*4A*+EEP			34,600	27,000	14.00	12.00	1,200	5983576
	CAPT3743*4A*+MBVC1200**-1A*			34,000	26,400	15.00	12.50	1,100	6494130
	CAPT3743*4A*+MBVC1600**-1A*			34,600	27,000	15.00	12.50	1,220	5983577
	CAPT3743*4A*+MBVC2000**-1A*			34,600	27,000	15.00	12.50	1,120	5983578
	CAPT4961*4A*	G*VM970804CNA*		34,400	26,800	15.50	12.50	980	7355347
	CAPT4961*4A*	A*VM970804CNA*		34,400	26,800	15.50	12.50	980	7355674
	CAPT4961*4A*	G*VM971005CNA*		34,400	26,800	15.50	12.50	1,020	7355792
	CAPT4961*4A*	A*VM971005CNA*		34,400	26,800	15.50	12.50	1,020	7355877
	CAPT4961*4A*	A*VM971205DNA*		34,800	27,000	16.00	13.00	1,060	7355889
	CAPT4961*4A*	G*VC961205DNA*		34,800	27,000	16.00	13.00	1,060	7355758
CAPT4961*4A*	G*VC960804CNA*		34,400	26,800	15.50	12.50	980	7355200	
CAPT4961*4A*	A*VC961005CNA*		34,400	26,800	15.50	12.50	1,020	7355835	
CAPT4961*4A*	G*VM971205DNA*		34,800	27,000	16.00	13.00	1,060	7355805	
CAPT4961*4A*	A*VC961205DNA*		34,800	27,000	16.00	13.00	1,060	7355847	
CAPT4961*4A*	A*VC960804CNA*		34,400	26,800	15.50	12.50	980	7355527	
CAPT4961*4A*	G*VC961005CNA*		34,400	26,800	15.50	12.50	1,020	7355745	
CHPF3642C6C*	A*EC960603BNA*		34,600	27,000	14.00	12.00	1,175	7365993	
CHPF3642C6C*	A*VC80805C*B*		34,600	27,000	14.50	12.00	1,180	5987264	
CHPF3642C6C*	G*VC950704CXB*		34,600	27,000	14.50	12.00	1,120	5986879	
CHPF3642C6C*	G*E80805C*B*		34,600	27,000	15.00	12.50	1,180	5986863	

See Notes on Page 85.

OUTDOOR UNIT	0.1672		COOLING RATINGS				CFM	AHRI #
	COILS/AIR HANDLERS	FURNACES	TOTAL <sup>1</sup>	SENS. <sup>1</sup>	SEER <sup>2</sup>	EER <sup>3</sup>		
GSX16 0361F* (cont.)	CHPF3642C6C*	A*EH801005C*A*	34,600	27,000	15.00	12.50	1,200	6945155
	CHPF3642C6C*	A*VC950704CXB*	34,600	27,000	14.50	12.00	1,120	5987275
	CHPF3642C6C*	G*E81005C*B*	34,600	27,000	15.00	12.50	1,200	5986866
	CHPF3642C6C*	A*VM960604CXB*	34,600	27,000	14.50	12.00	1,140	5987297
	CHPF3642C6C*	G*EC960603BNA*	34,600	27,000	14.00	12.00	1,175	7365831
	CHPF3642C6C*	G*E80603B*B*	34,600	27,000	14.50	12.00	1,150	5986859
	CHPF3642C6C*	G*VC81005C*B*	34,600	27,000	14.50	12.00	1,200	5986874
	CHPF3642C6C*	A*EH800603B*A*	34,600	27,000	14.50	12.00	1,150	6945153
	CHPF3642C6C*	AMEH960603BXA*	34,600	27,000	14.00	12.00	1,165	6945156
	CHPF3642C6C*	G*VC80805C*B*	34,600	27,000	14.50	12.00	1,180	5986870
	CHPF3642C6C*	A*EH800805C*A*	34,600	27,000	15.00	12.50	1,180	6945154
	CHPF3642C6C*	GME950603BXA*	34,600	27,000	14.00	12.00	1,165	5986923
	CHPF3642C6C*	A*VC81005C*B*	34,600	27,000	14.50	12.00	1,200	5987269
	CHPF3642C6C*	G*VM960604CXB*	34,600	27,000	14.50	12.00	1,140	5986901
	CHPF3642C6C*+EEP		34,600	27,000	14.00	12.00	1,200	5986849
	CHPF3642C6C*+EEP+TXV		34,600	27,000	14.50	12.00	1,200	5983579
	CHPF3642C6C*+MBVC1600** -1A*		34,600	27,000	14.50	12.00	1,220	5986851
	CHPF3642C6C*+MBVC1600** -1A*+TXV		34,600	27,000	15.00	12.50	1,220	5983580
	CHPF3642C6C*+TXV	AMEH960603BXA*	34,600	27,000	14.50	11.50	1,165	6945160
	CHPF3642C6C*+TXV	A*EH800805C*A*	34,600	27,000	15.50	12.50	1,180	6945158
	CHPF3642C6C*+TXV	A*EC960603BNA*	34,600	27,000	14.50	12.00	1,175	7365994
	CHPF3642C6C*+TXV	A*EH801005C*A*	34,600	27,000	15.00	12.50	1,200	6945159
	CHPF3642C6C*+TXV	A*VC80805C*B*	34,600	27,000	15.00	12.50	1,180	5983963
	CHPF3642C6C*+TXV	G*E80805C*B*	34,600	27,000	15.50	12.50	1,180	5983590
	CHPF3642C6C*+TXV	A*VC81005C*B*	34,600	27,000	15.00	12.50	1,200	5983967
	CHPF3642C6C*+TXV	G*E81005C*B*	34,600	27,000	15.00	12.50	1,200	5983592
	CHPF3642C6C*+TXV	A*EH800603B*A*	34,600	27,000	15.00	12.50	1,150	6945157
	CHPF3642C6C*+TXV	GME950603BXA*	34,600	27,000	14.50	11.50	1,165	5983649
	CHPF3642C6C*+TXV	A*VM960604CXB*	34,600	27,000	15.00	12.50	1,140	5984039
	CHPF3642C6C*+TXV	G*EC960603BNA*	34,600	27,000	14.50	12.00	1,175	7365832
	CHPF3642C6C*+TXV	G*VM960604CXB*	34,600	27,000	15.00	12.50	1,140	5983628
	CHPF3642C6C*+TXV	G*E80603B*B*	34,600	27,000	15.00	12.50	1,150	5983587
	CHPF3642C6C*+TXV	G*VC81005C*B*	34,600	27,000	15.00	12.50	1,200	5983599
	CHPF3642C6C*+TXV	G*VC80805C*B*	34,600	27,000	15.00	12.50	1,180	5983595
	CHPF3743C6B*	A*EC960603BNA*	34,600	27,000	14.50	12.00	1,175	7365995
	CHPF3743C6B*	G*VM960805CXB*	34,800	27,000	14.50	12.00	1,175	5986905
	CHPF3743C6B*	G*VM971005CNA*	34,000	26,400	14.50	12.00	1,020	7355794
	CHPF3743C6B*	A*VC961005CNA*	34,000	26,400	14.50	12.00	1,020	7355837
	CHPF3743C6B*	A*EC960803BNA*	33,600	26,200	14.50	12.00	1,175	7366002
	CHPF3743C6B*	A*VM971005CNA*	34,000	26,400	14.50	12.00	1,020	7355879
	CHPF3743C6B*	G*VC950905CXB*	34,800	27,000	14.50	12.00	1,175	5986886
	CHPF3743C6B*	A*VM960805CXB*	34,800	27,000	14.50	12.00	1,175	5987301
	CHPF3743C6B*	A*VC960804CNA*	34,000	26,400	15.00	12.50	980	7355528
	CHPF3743C6B*	G*EC960803BNA*	33,600	26,200	14.50	12.00	1,175	7365840
	CHPF3743C6B*	G*EC960603BNA*	34,600	27,000	14.50	12.00	1,175	7365833
CHPF3743C6B*	G*VC960804CNA*	34,000	26,400	15.00	12.50	980	7355201	
CHPF3743C6B*	G*VM970804CNA*	34,000	26,400	15.00	12.50	980	7355348	
CHPF3743C6B*	A*VC950905CXB*	34,800	27,000	14.50	12.00	1,175	5987282	
CHPF3743C6B*	A*EC961004CNA*	34,000	26,400	15.00	12.50	1,175	7366009	
CHPF3743C6B*	G*VC961005CNA*	34,000	26,400	14.50	12.00	1,020	7355747	
CHPF3743C6B*	G*EC961004CNA*	34,000	26,400	15.00	12.50	1,175	7365847	
CHPF3743C6B*	A*VM970804CNA*	34,000	26,400	15.00	12.50	980	7355675	

See Notes on Page 85.

OUTDOOR UNIT	0.1672		COOLING RATINGS				CFM	AHRI #
	COILS/AIR HANDLERS	FURNACES	TOTAL <sup>1</sup>	SENS. <sup>1</sup>	SEER <sup>2</sup>	EER <sup>3</sup>		
GSX16 0361F* (cont.)	CHPF3743C6B*+EEP+TXV		34,800	27,000	14.50	12.00	1,100	5753038
	CHPF3743C6B*+TXV	G*VM960805CXB*	34,800	27,000	15.00	12.50	1,175	5983632
	CHPF3743C6B*+TXV	G*VC961005CNA*	34,000	26,400	15.00	12.50	1,020	7355746
	CHPF3743C6B*+TXV	G*EC961004CNA*	34,000	26,400	15.50	12.50	1,175	7365848
	CHPF3743C6B*+TXV	A*EC961004CNA*	34,000	26,400	15.50	12.50	1,175	7366010
	CHPF3743C6B*+TXV	A*VC960804CNA*	34,000	26,400	14.50	12.00	980	7355529
	CHPF3743C6B*+TXV	G*VM971005CNA*	34,000	26,400	15.00	12.50	1,020	7355793
	CHPF3743C6B*+TXV	A*VC961005CNA*	34,000	26,400	15.00	12.50	1,020	7355836
	CHPF3743C6B*+TXV	G*EC960603BNA*	34,600	27,000	15.00	12.50	1,175	7365834
	CHPF3743C6B*+TXV	A*EC960603BNA*	34,600	27,000	15.00	12.50	1,175	7365996
	CHPF3743C6B*+TXV	A*VM960805CXB*	34,800	27,000	15.00	12.50	1,175	5984043
	CHPF3743C6B*+TXV	A*EC960803BNA*	33,600	26,200	15.00	12.50	1,175	7366003
	CHPF3743C6B*+TXV	A*VM970804CNA*	34,000	26,400	14.50	12.00	980	7355676
	CHPF3743C6B*+TXV	A*VC950905CXB*	34,800	27,000	15.00	12.50	1,175	5983980
	CHPF3743C6B*+TXV	A*VM971005CNA*	34,000	26,400	15.00	12.50	1,020	7355878
	CHPF3743C6B*+TXV	G*VM970804CNA*	34,000	26,400	14.50	12.00	980	7355349
	CHPF3743C6B*+TXV	G*VC950905CXB*	34,800	27,000	15.00	12.50	1,175	5983612
	CHPF3743C6B*+TXV	G*EC960803BNA*	33,600	26,200	15.00	12.50	1,175	7365841
	CHPF3743C6B*+TXV	G*VC960804CNA*	34,000	26,400	14.50	12.00	980	7355202
	CHPF3743D6B*	G*VM960805CXB*	34,800	27,000	14.50	12.00	1,175	5986906
	CHPF3743D6B*	G*VM961005DXB*	34,800	27,000	14.50	12.00	1,085	5986913
	CHPF3743D6B*	AMEH960805CXA*	34,800	27,000	14.50	12.00	1,110	6945161
	CHPF3743D6B*	A*VC950905CXB*	34,800	27,000	14.50	12.00	1,175	5987283
	CHPF3743D6B*	A*VM960805DXB*	34,800	27,000	14.50	12.00	1,205	5987305
	CHPF3743D6B*	G*VC961205DNA*	34,600	27,000	15.00	12.50	1,060	7355759
	CHPF3743D6B*	A*VM961005DXB*	34,800	27,000	14.50	12.00	1,085	5987309
	CHPF3743D6B*	G*VC951155DXB*	34,800	27,000	15.00	12.50	1,190	5986897
	CHPF3743D6B*	A*VM971205DNA*	34,600	27,000	15.00	12.50	1,060	7355890
	CHPF3743D6B*	G*VM971205DNA*	34,600	27,000	15.00	12.50	1,060	7355806
	CHPF3743D6B*	A*VC950905DXB*	34,800	27,000	14.50	12.00	1,145	5987286
	CHPF3743D6B*	A*VM960805CXB*	34,800	27,000	14.50	12.00	1,175	5987302
	CHPF3743D6B*	A*VC961205DNA*	34,600	27,000	15.00	12.50	1,060	7355848
	CHPF3743D6B*	G*VM960805DXB*	34,800	27,000	14.50	12.00	1,205	5986909
	CHPF3743D6B*	G*VM961155DXB*	34,800	27,000	15.00	12.50	1,085	5986917
	CHPF3743D6B*	GME950805CXA*	34,800	27,000	14.50	12.00	1,110	5986928
	CHPF3743D6B*	A*VC951155DXB*	34,800	27,000	15.00	12.50	1,190	5987293
	CHPF3743D6B*	A*VM961155DXB*	34,800	27,000	15.00	12.50	1,085	5987313
	CHPF3743D6B*	G*VC950905CXB*	34,800	27,000	14.50	12.00	1,175	5986887
	CHPF3743D6B*	G*VC950905DXB*	34,800	27,000	14.50	12.00	1,145	5986890
	CHPF3743D6B*+EEP		34,800	27,000	14.00	12.00	1,200	5986853
	CHPF3743D6B*+EEP+TXV		34,800	27,000	14.50	12.00	1,200	5983582
	CHPF3743D6B*+TXV	A*VM961005DXB*	34,800	27,000	15.00	12.50	1,085	5984051
CHPF3743D6B*+TXV	A*VC961205DNA*	34,600	27,000	15.50	12.50	1,060	7355849	
CHPF3743D6B*+TXV	A*VM961155DXB*	34,800	27,000	15.00	12.50	1,085	5984055	
CHPF3743D6B*+TXV	G*VM971205DNA*	34,600	27,000	15.50	12.50	1,060	7355807	
CHPF3743D6B*+TXV	G*VM961005DXB*	34,800	27,000	15.00	12.50	1,085	5983640	
CHPF3743D6B*+TXV	GME950805CXA*	34,800	27,000	15.50	12.50	1,110	5983654	
CHPF3743D6B*+TXV	G*VM960805DXB*	34,800	27,000	15.00	12.50	1,205	5983636	
CHPF3743D6B*+TXV	A*VC951155DXB*	34,800	27,000	15.00	12.50	1,190	5983989	
CHPF3743D6B*+TXV	G*VC961205DNA*	34,600	27,000	15.50	12.50	1,060	7355760	
CHPF3743D6B*+TXV	A*VM960805DXB*	34,800	27,000	15.00	12.50	1,205	5984047	
CHPF3743D6B*+TXV	G*VC950905DXB*	34,800	27,000	15.00	12.50	1,145	5983616	

See Notes on Page 85.

OUTDOOR UNIT	0.1672		COOLING RATINGS				CFM	AHRI #
	COILS/AIR HANDLERS	FURNACES	TOTAL <sup>1</sup>	SENS. <sup>1</sup>	SEER <sup>2</sup>	EER <sup>3</sup>		
GSX16 0361F* (cont.)	CHPF3743D6B*+TXV	G*VM961155DXB*	34,800	27,000	15.00	12.50	1,085	5983644
	CHPF3743D6B*+TXV	G*VC951155DXB*	34,800	27,000	15.00	12.50	1,190	5983625
	CHPF3743D6B*+TXV	AMEH960805CXA*	34,800	27,000	15.50	12.50	1,110	6945162
	CHPF3743D6B*+TXV	A*VC950905DXB*	34,800	27,000	15.00	12.50	1,145	5983984
	CHPF3743D6B*+TXV	A*VM971205DNA*	34,600	27,000	15.50	12.50	1,060	7355891
	CHPF4860D6D*	AMEH960805CXA*	34,800	27,000	15.50	12.50	1,110	6945164
	CHPF4860D6D*	G*VC961205DNA*	34,800	27,000	15.50	12.50	1,060	7355761
	CHPF4860D6D*	A*EC961004CNA*	34,000	26,400	15.50	12.50	1,175	7366011
	CHPF4860D6D*	GME951005DXA*	34,800	27,000	15.50	12.50	1,050	5986933
	CHPF4860D6D*	A*VC81005C*B*	34,800	27,000	14.50	12.00	1,200	5987270
	CHPF4860D6D*	G*VM971005CNA*	34,400	26,800	15.50	12.50	1,020	7355796
	CHPF4860D6D*	G*VC80805C*B*	34,800	27,000	16.00	13.00	1,180	5986871
	CHPF4860D6D*	G*VC961005CNA*	34,400	26,800	15.50	12.50	1,020	7355749
	CHPF4860D6D*	AMEH961005DXA*	34,800	27,000	15.50	12.50	1,050	6945165
	CHPF4860D6D*	A*VM971005CNA*	34,400	26,800	15.50	12.50	1,020	7355881
	CHPF4860D6D*	G*VM970804CNA*	34,400	26,800	15.50	12.50	980	7355350
	CHPF4860D6D*	G*VC960804CNA*	34,400	26,800	15.50	12.50	980	7355203
	CHPF4860D6D*	A*VC961005CNA*	34,400	26,800	15.50	12.50	1,020	7355839
	CHPF4860D6D*	G*E80805C*B*	34,800	27,000	15.50	12.50	1,180	5986864
	CHPF4860D6D*	A*EC961205DNA*	34,800	27,000	15.50	12.50	1,100	7366019
	CHPF4860D6D*	A*EH800805C*A*	34,800	27,000	15.50	12.50	1,180	6945163
	CHPF4860D6D*	G*EC961004CNA*	34,000	26,400	15.50	12.50	1,175	7365849
	CHPF4860D6D*	GME950805CXA*	34,800	27,000	15.50	12.50	1,110	5986929
	CHPF4860D6D*	A*VC80805C*B*	34,800	27,000	16.00	13.00	1,180	5987265
	CHPF4860D6D*	A*VM971205DNA*	34,800	27,000	15.50	12.50	1,060	7355892
	CHPF4860D6D*	A*VM970804CNA*	34,400	26,800	15.50	12.50	980	7355677
	CHPF4860D6D*	G*VM971205DNA*	34,800	27,000	15.50	12.50	1,060	7355808
	CHPF4860D6D*	G*VC81005C*B*	34,800	27,000	14.50	12.00	1,200	5986875
	CHPF4860D6D*	G*EC961205DNA*	34,800	27,000	15.50	12.50	1,100	7365857
	CHPF4860D6D*	A*VC960804CNA*	34,400	26,800	15.50	12.50	980	7355530
	CHPF4860D6D*	A*VC961205DNA*	34,800	27,000	15.50	12.50	1,060	7355850
	CHPF4860D6D*+EEP		34,800	27,000	14.50	12.00	1,200	5986854
	CHPF4860D6D*+EEP+TXV		35,000	27,200	15.00	12.50	1,100	5753039
	CHPF4860D6D*+MBVC1600**-1A*		34,800	27,000	15.50	12.50	1,220	5986855
	CHPF4860D6D*+MBVC1600**-1A*+TXV		34,800	27,000	16.00	13.00	1,220	5983583
	CHPF4860D6D*+MBVC2000**-1A*		34,800	27,000	15.50	12.50	1,120	5986856
	CHPF4860D6D*+MBVC2000**-1A*+TXV		34,800	27,000	16.00	13.00	1,120	5983584
	CHPF4860D6D*+TXV	G*VC80805C*B*	34,800	27,000	15.50	12.50	1,180	5983596
	CHPF4860D6D*+TXV	GME950805CXA*	34,000	26,400	16.00	13.00	1,000	5753043
	CHPF4860D6D*+TXV	A*VC961205DNA*	34,800	27,000	16.00	13.00	1,060	7355851
	CHPF4860D6D*+TXV	GME951005DXA*	34,800	27,000	16.00	13.00	1,050	5983658
	CHPF4860D6D*+TXV	A*VM971205DNA*	34,800	27,000	16.00	13.00	1,060	7355893
	CHPF4860D6D*+TXV	A*VC950704CXB*	34,000	26,400	16.00	13.00	1,025	6107841
	CHPF4860D6D*+TXV	G*VC81005C*B*	34,800	27,000	15.50	12.50	1,200	5983600
	CHPF4860D6D*+TXV	A*EC961205DNA*	34,800	27,000	16.00	13.00	1,100	7366020
	CHPF4860D6D*+TXV	A*VC81005C*B*	34,800	27,000	15.50	12.50	1,200	5987271
	CHPF4860D6D*+TXV	G*VC961205DNA*	34,800	27,000	16.00	13.00	1,060	7355762
	CHPF4860D6D*+TXV	A*VC80805C*B*	34,800	27,000	15.50	12.50	1,180	5987266
CHPF4860D6D*+TXV	G*VM971005CNA*	34,400	26,800	16.00	13.00	1,020	7355795	
CHPF4860D6D*+TXV	G*VM971205DNA*	34,800	27,000	16.00	13.00	1,060	7355809	
CHPF4860D6D*+TXV	A*VC960804CNA*	34,400	26,800	16.00	13.00	980	7355531	
CHPF4860D6D*+TXV	G*EC961004CNA*	34,000	26,400	16.00	13.00	1,175	7365850	

See Notes on Page 85.

OUTDOOR UNIT	0.1672		COOLING RATINGS				CFM	AHRI #
	COILS/AIR HANDLERS	FURNACES	TOTAL <sup>1</sup>	SENS. <sup>1</sup>	SEER <sup>2</sup>	EER <sup>3</sup>		
GSX16 0361F* (cont.)	CHPF4860D6D*+TXV	G*E80805C*B*	34,000	26,400	16.00	13.00	1,000	5753041
	CHPF4860D6D*+TXV	A*VM970804CNA*	34,400	26,800	16.00	13.00	980	7355678
	CHPF4860D6D*+TXV	G*VM970804CNA*	34,400	26,800	16.00	13.00	980	7355351
	CHPF4860D6D*+TXV	G*VC960804CNA*	34,400	26,800	16.00	13.00	980	7355204
	CHPF4860D6D*+TXV	G*VC950905CXB*	35,000	27,200	16.00	13.00	1,150	6331606
	CHPF4860D6D*+TXV	A*EC961004CNA*	34,000	26,400	16.00	13.00	1,175	7366012
	CHPF4860D6D*+TXV	A*EH800805C*A*	34,000	26,400	16.00	13.00	1,000	6945166
	CHPF4860D6D*+TXV	A*VC961005CNA*	34,400	26,800	16.00	13.00	1,020	7355838
	CHPF4860D6D*+TXV	AMEH960805CXA*	34,000	26,400	16.00	13.00	1,000	6945167
	CHPF4860D6D*+TXV	A*VM971005CNA*	34,400	26,800	16.00	13.00	1,020	7355880
	CHPF4860D6D*+TXV	G*VC950704CXB*	34,000	26,400	16.00	13.00	1,025	6107845
	CHPF4860D6D*+TXV	G*VC961005CNA*	34,400	26,800	16.00	13.00	1,020	7355748
	CHPF4860D6D*+TXV	AMEH961005DXA*	34,800	27,000	16.00	13.00	1,050	6945168
	CHPF4860D6D*+TXV	G*EC961205DNA*	34,800	27,000	16.00	13.00	1,100	7365858
	CSCF3642N6D*+TXV	G*VM970804CNA*	34,000	26,400	14.50	12.00	980	7355352
	CSCF3642N6D*+TXV	A*VC961005CNA*	34,000	26,400	14.50	12.00	1,020	7355840
	CSCF3642N6D*+TXV	A*VM970804CNA*	34,000	26,400	14.50	12.00	980	7355679
	CSCF3642N6D*+TXV	G*VC961005CNA*	34,000	26,400	14.50	12.00	1,020	7355751
	CSCF3642N6D*+TXV	G*VM971005CNA*	34,000	26,400	14.50	12.00	1,020	7355797
	CSCF3642N6D*+TXV	G*VC960804CNA*	34,000	26,400	14.50	12.00	980	7355205
	CSCF3642N6D*+TXV	A*VC960804CNA*	34,000	26,400	14.50	12.00	980	7355532
	CSCF3642N6D*+TXV	A*VM971005CNA*	34,000	26,400	14.50	12.00	1,020	7355882
	CSCF4860N6D*	A*VC950704CXB*	34,400	26,800	15.00	12.50	1,120	5987276
	CSCF4860N6D*	G*VC961205DNA*	34,400	26,800	15.00	12.50	1,060	7355763
	CSCF4860N6D*	A*VC950905DXB*	34,400	26,800	14.50	12.00	1,145	5987287
	CSCF4860N6D*	G*VC950704CXB*	34,400	26,800	15.00	12.50	1,120	5986880
	CSCF4860N6D*	G*VM971205DNA*	34,400	26,800	15.00	12.50	1,060	7355810
	CSCF4860N6D*	A*VC961205DNA*	34,400	26,800	15.00	12.50	1,060	7355852
	CSCF4860N6D*	G*VC950905DXB*	34,400	26,800	14.50	12.00	1,145	5986891
	CSCF4860N6D*	G*VC951155DXB*	34,400	26,800	14.50	12.00	1,190	5986898
	CSCF4860N6D*	A*VC951155DXB*	34,400	26,800	14.50	12.00	1,190	5987294
	CSCF4860N6D*	A*VM971205DNA*	34,400	26,800	15.00	12.50	1,060	7355894
	CSCF4860N6D*+EEP		34,400	26,800	14.00	12.00	1,200	5986857
	CSCF4860N6D*+EEP+TXV		34,400	26,800	14.50	12.00	1,200	5983585
	CSCF4860N6D*+TXV	G*VM970804CNA*	34,000	26,400	15.00	12.50	980	7355353
	CSCF4860N6D*+TXV	G*VC950905DXB*	34,400	26,800	15.00	12.50	1,145	5983617
	CSCF4860N6D*+TXV	G*VC951155DXB*	34,400	26,800	15.00	12.50	1,190	5983626
	CSCF4860N6D*+TXV	G*VM971005CNA*	34,000	26,400	15.00	12.50	1,020	7355798
	CSCF4860N6D*+TXV	A*VC960804CNA*	34,000	26,400	15.00	12.50	980	7355533
	CSCF4860N6D*+TXV	A*VC951155DXB*	34,400	26,800	15.00	12.50	1,190	5983990
	CSCF4860N6D*+TXV	A*VC950905DXB*	34,400	26,800	15.00	12.50	1,145	5983985
	CSCF4860N6D*+TXV	A*VC961005CNA*	34,000	26,400	15.00	12.50	1,020	7355841
	CSCF4860N6D*+TXV	A*VM971205DNA*	34,400	26,800	15.50	12.50	1,060	7355895
	CSCF4860N6D*+TXV	G*VC961005CNA*	34,000	26,400	15.00	12.50	1,020	7355752
	CSCF4860N6D*+TXV	G*VC950704CXB*	34,400	26,800	15.00	12.50	1,120	5983605
	CSCF4860N6D*+TXV	A*VM971005CNA*	34,000	26,400	15.00	12.50	1,020	7355883
	CSCF4860N6D*+TXV	A*VC961205DNA*	34,400	26,800	15.50	12.50	1,060	7355853
CSCF4860N6D*+TXV	A*VM970804CNA*	34,000	26,400	15.00	12.50	980	7355680	
CSCF4860N6D*+TXV	G*VM971205DNA*	34,400	26,800	15.50	12.50	1,060	7355811	
CSCF4860N6D*+TXV	A*VC950704CXB*	34,400	26,800	15.00	12.50	1,120	5983973	
CSCF4860N6D*+TXV	G*VC960804CNA*	34,000	26,400	15.00	12.50	980	7355206	
CSCF4860N6D*+TXV	G*VC961205DNA*	34,400	26,800	15.50	12.50	1,060	7355764	
DV48PTCC14A*		34,400	26,800	14.50	12.00	1,000	7040827	

See Notes on Page 85.

OUTDOOR UNIT	INDOOR UNITS		COOLING RATINGS				CFM	AHRI #
	COILS/AIR HANDLERS	FURNACES	TOTAL <sup>1</sup>	SENS. <sup>1</sup>	SEER <sup>2</sup>	EER <sup>3</sup>		
GSX16 0421F*	ARPT42D14A*		40,000	30,400	14.00	12.00	1,320	5983659
	ARPT48D14A*		40,000	30,400	14.00	12.00	1,250	5983660
	ARUF42C14A*		39,000	29,600	13.50	11.50	1,275	5986934
	ARUF48D14A*		40,000	30,400	14.00	12.00	1,320	5986935
	ASPT42D14A*		41,000	31,200	16.00	13.00	1,350	5756176
	ASPT48C14A*		40,000	30,400	14.50	12.00	1,300	7040828
	ASPT48D14A*		41,000	31,200	16.00	13.00	1,285	5983661
	ASPT60D14A*		41,000	31,200	16.00	13.00	1,410	5983662
	ASUF49C14A*		40,000	30,400	14.00	12.00	1,330	5986936
	ASUF49C14A*+TXV		40,000	30,400	14.50	12.00	1,330	5983663
	AVPTC42D14A*		41,000	31,200	16.00	13.00	1,310	5924357
	AVPTC48C14A*		40,000	30,400	14.50	12.00	1,300	7040829
	CA*F3743*6D*	G*VM961155DXB*	40,000	30,400	14.00	12.00	1,400	5986997
	CA*F3743*6D*	A*VM960604CXB*	40,000	30,400	13.50	11.50	1,460	5987342
	CA*F3743*6D*	G*VC951155DXB*	40,000	30,400	14.00	12.00	1,400	5986977
	CA*F3743*6D*	A*VC950905CXB*	40,000	30,400	14.00	12.00	1,280	5987326
	CA*F3743*6D*	G*VM960805DXB*	40,000	30,400	14.00	12.00	1,420	5986989
	CA*F3743*6D*	GME951005DXA*	40,000	30,400	14.50	12.00	1,250	5987007
	CA*F3743*6D*	GME950805CXA*	40,000	30,400	14.50	12.00	1,325	5987003
	CA*F3743*6D*	A*VM961005DXB*	40,000	30,400	14.00	12.00	1,400	5987353
	CA*F3743*6D*	AMEH961005DXA*	40,000	30,400	14.50	12.00	1,250	6945170
	CA*F3743*6D*	G*VC950704CXB*	40,000	30,400	13.50	11.50	1,320	5986960
	CA*F3743*6D*	G*VM961005DXB*	40,000	30,400	14.00	12.00	1,400	5986993
	CA*F3743*6D*	G*VC950905DXB*	40,000	30,400	14.00	12.00	1,420	5986971
	CA*F3743*6D*	A*EC961004CNA*	40,000	30,400	14.50	12.00	1,300	7366021
	CA*F3743*6D*	G*EC961004CNA*	40,000	30,400	14.50	12.00	1,300	7365859
	CA*F3743*6D*	G*VC950905CXB*	40,000	30,400	14.00	12.00	1,280	5986966
	CA*F3743*6D*	AMEH960805CXA*	40,000	30,400	14.50	12.00	1,325	6945169
	CA*F3743*6D*	A*VM960805DXB*	40,000	30,400	14.00	12.00	1,420	5987349
	CA*F3743*6D*	A*VC950905DXB*	40,000	30,400	14.00	12.00	1,420	5987331
	CA*F3743*6D*	A*VC951155DXB*	40,000	30,400	14.00	12.00	1,400	5987337
	CA*F3743*6D*	A*VM961155DXB*	40,000	30,400	14.00	12.00	1,400	5987357
	CA*F3743*6D*	G*VM960604CXB*	40,000	30,400	13.50	11.50	1,460	5986982
	CA*F3743*6D*	G*VM960805CXB*	40,000	30,400	14.00	12.00	1,290	5986985
	CA*F3743*6D*	A*VM960805CXB*	40,000	30,400	14.00	12.00	1,290	5987345
	CA*F3743*6D*	A*VC950704CXB*	40,000	30,400	13.50	11.50	1,320	5987320
	CA*F3743*6D*+EEP+TXV		40,000	30,400	14.50	12.00	1,400	5983664
	CA*F3743*6D*+TXV	GME950805CXA*	40,000	30,400	14.50	12.00	1,325	5983723
	CA*F3743*6D*+TXV	ADVC81005C*B*	40,000	30,400	15.50	12.50	1,400	5983720
	CA*F3743*6D*+TXV	G*VC951155DXB*	40,000	30,400	14.50	12.00	1,400	5983700
	CA*F3743*6D*+TXV	A*VC950714CXB*	40,000	30,400	14.50	12.00	1,285	5984065
	CA*F3743*6D*+TXV	A*VC950915DXB*	40,000	30,400	15.00	12.50	1,200	5983995
	CA*F3743*6D*+TXV	A*VM960805CXB*	40,000	30,400	14.50	12.00	1,290	5984074
	CA*F3743*6D*+TXV	G*VC950714CXB*	40,000	30,400	14.50	12.00	1,285	5983688
	CA*F3743*6D*+TXV	G*VC950704CXB*	40,000	30,400	14.00	12.00	1,320	5983684
	CA*F3743*6D*+TXV	AMEH961005DXA*	40,000	30,400	15.00	12.50	1,250	6945172
	CA*F3743*6D*+TXV	GME951005DXA*	40,000	30,400	15.00	12.50	1,250	5983727
CA*F3743*6D*+TXV	G*VM960604CXB*	40,000	30,400	14.00	12.00	1,460	5983704	
CA*F3743*6D*+TXV	G*EC961004CNA*	40,000	30,400	14.50	12.00	1,300	7365860	
CA*F3743*6D*+TXV	A*VC950905DXB*	40,000	30,400	14.50	12.00	1,420	5983991	
CA*F3743*6D*+TXV	AMEH960805CXA*	40,000	30,400	14.50	12.00	1,325	6945171	
CA*F3743*6D*+TXV	A*VM960805DXB*	40,000	30,400	14.50	12.00	1,420	5984076	
CA*F3743*6D*+TXV	G*VM960805DXB*	40,000	30,400	14.50	12.00	1,420	5983709	
CA*F3743*6D*+TXV	A*VM961155DXB*	40,000	30,400	14.50	12.00	1,400	5984003	

See Notes on Page 85.

OUTDOOR UNIT	0.1672		COOLING RATINGS				CFM	AHRI #
	COILS/AIR HANDLERS	FURNACES	TOTAL <sup>1</sup>	SENS. <sup>1</sup>	SEER <sup>2</sup>	EER <sup>3</sup>		
GSX16 0421F* (cont.)	CA*F3743*6D*+TXV	G*VM961005DXB*	40,000	30,400	14.50	12.00	1,400	5983712
	CA*F3743*6D*+TXV	A*VC950905CXB*	40,000	30,400	14.50	12.00	1,280	5984067
	CA*F3743*6D*+TXV	A*EC961004CNA*	40,000	30,400	14.50	12.00	1,300	7366022
	CA*F3743*6D*+TXV	G*VC950905DXB*	40,000	30,400	14.50	12.00	1,420	5983694
	CA*F3743*6D*+TXV	G*VC950915DXB*	40,000	30,400	15.00	12.50	1,200	5983698
	CA*F3743*6D*+TXV	G*VM961155DXB*	40,000	30,400	14.50	12.00	1,400	5983714
	CA*F3743*6D*+TXV	A*VM960604CXB*	40,000	30,400	14.00	12.00	1,460	5984071
	CA*F3743*6D*+TXV	A*VM961005DXB*	40,000	30,400	14.50	12.00	1,400	5984001
	CA*F3743*6D*+TXV	G*VC950905CXB*	40,000	30,400	14.50	12.00	1,280	5983690
	CA*F3743*6D*+TXV	ADVC80805C*B*	40,000	30,400	15.50	12.50	1,250	5983717
	CA*F3743*6D*+TXV	G*VM960805CXB*	40,000	30,400	14.50	12.00	1,290	5983707
	CA*F3743*6D*+TXV	A*VC950704CXB*	40,000	30,400	14.00	12.00	1,320	5984061
	CA*F3743*6D*+TXV	A*VC951155DXB*	40,000	30,400	14.50	12.00	1,400	5983997
	CA*F4860*6D*	A*VM971005CNA*	40,000	30,400	15.00	12.50	1,195	7355905
	CA*F4860*6D*	G*VM961005DXB*	40,000	30,400	14.50	12.00	1,400	5986994
	CA*F4860*6D*	G*VC960804CNA*	40,000	30,400	15.00	12.50	1,195	7355765
	CA*F4860*6D*	G*VM970804CNA*	40,000	30,400	15.00	12.50	1,195	7355812
	CA*F4860*6D*	G*VM961155DXB*	40,000	30,400	15.00	12.50	1,400	5986998
	CA*F4860*6D*	G*VC951155DXB*	40,000	30,400	15.00	12.50	1,400	5986978
	CA*F4860*6D*	A*VC961205DNA*	40,000	30,400	15.00	12.50	1,160	7355534
	CA*F4860*6D*	G*VM960805DXB*	40,000	30,400	14.50	12.00	1,420	5986990
	CA*F4860*6D*	ADVC81005C*B*	40,000	30,400	15.00	12.50	1,400	5987002
	CA*F4860*6D*	A*VC950905DXB*	40,000	30,400	14.50	12.00	1,420	5987332
	CA*F4860*6D*	G*E81005C*B*	40,000	30,400	14.00	12.00	1,420	5986951
	CA*F4860*6D*	G*VM960805CXB*	40,000	30,400	14.50	12.00	1,290	5986986
	CA*F4860*6D*	A*VC960804CNA*	40,000	30,400	15.00	12.50	1,195	7355854
	CA*F4860*6D*	A*VM960604CXB*	40,000	30,400	14.00	12.00	1,460	5987343
	CA*F4860*6D*	G*VC950905DXB*	40,000	30,400	14.50	12.00	1,420	5986972
	CA*F4860*6D*	GME950805CXA*	40,000	30,400	14.00	12.00	1,325	5987004
	CA*F4860*6D*	G*EC961004CNA*	40,000	30,400	14.50	12.00	1,300	7365861
	CA*F4860*6D*	GME951005DXA*	40,000	30,400	14.50	12.00	1,250	5987008
	CA*F4860*6D*	G*VC950704CXB*	40,000	30,400	14.00	12.00	1,320	5986961
	CA*F4860*6D*	A*VC951155DXB*	40,000	30,400	15.00	12.50	1,400	5987338
	CA*F4860*6D*	A*VC950905CXB*	40,000	30,400	14.50	12.00	1,280	5987327
	CA*F4860*6D*	G*VC961005CNA*	40,000	30,400	15.00	12.50	1,195	7355774
	CA*F4860*6D*	A*VM960805CXB*	40,000	30,400	14.50	12.00	1,290	5987346
	CA*F4860*6D*	A*EC961004CNA*	40,000	30,400	14.50	12.00	1,300	7366023
	CA*F4860*6D*	AMEH961005DXA*	40,000	30,400	14.50	12.00	1,250	6945177
	CA*F4860*6D*	A*VC80805C*B*	40,000	30,400	14.50	12.00	1,190	5987314
	CA*F4860*6D*	A*VC950714CXB*	40,000	30,400	15.00	12.50	1,285	5987325
	CA*F4860*6D*	G*VC950905CXB*	40,000	30,400	14.50	12.00	1,280	5986967
	CA*F4860*6D*	A*VC961005CNA*	40,000	30,400	15.00	12.50	1,195	7355863
CA*F4860*6D*	A*VC81005C*B*	40,000	30,400	14.50	12.00	1,370	5987317	
CA*F4860*6D*	A*VM960805DXB*	40,000	30,400	14.50	12.00	1,420	5987350	
CA*F4860*6D*	G*VM960604CXB*	40,000	30,400	14.00	12.00	1,460	5986983	
CA*F4860*6D*	G*VC950714CXB*	40,000	30,400	15.00	12.50	1,285	5986965	
CA*F4860*6D*	AMEH960805CXA*	40,000	30,400	14.00	12.00	1,325	6945176	
CA*F4860*6D*	G*VC81005C*B*	40,000	30,400	14.50	12.00	1,370	5986957	
CA*F4860*6D*	A*VM971205DNA*	40,000	30,400	15.00	12.50	1,160	7355681	
CA*F4860*6D*	G*E80805C*B*	40,000	30,400	14.50	12.00	1,350	5986945	
CA*F4860*6D*	A*VC950915DXB*	40,000	30,400	15.00	12.50	1,200	5987336	
CA*F4860*6D*	G*VM971005CNA*	40,000	30,400	15.00	12.50	1,195	7355821	
CA*F4860*6D*	A*EH801005C*A*	40,000	30,400	14.00	12.00	1,420	6945175	
CA*F4860*6D*	A*EH800805D*A*	40,000	30,400	15.00	12.50	1,310	6945174	

See Notes on Page 85.

OUTDOOR UNIT	INDOOR UNITS		COOLING RATINGS				CFM	AHRI #
	COILS/AIR HANDLERS	FURNACES	TOTAL <sup>1</sup>	SENS. <sup>1</sup>	SEER <sup>2</sup>	EER <sup>3</sup>		
GSX16 0421F* (cont.)	CA*F4860*6D*	A*VM961155DXB*	40,000	30,400	15.00	12.50	1,400	5987358
	CA*F4860*6D*	A*EH800805C*A*	40,000	30,400	14.50	12.00	1,350	6945173
	CA*F4860*6D*	ADV80805C*B*	40,000	30,400	15.00	12.50	1,250	5987001
	CA*F4860*6D*	G*VC961205DNA*	40,000	30,400	15.00	12.50	1,160	7355207
	CA*F4860*6D*	G*VC950915DXB*	40,000	30,400	15.00	12.50	1,200	5986976
	CA*F4860*6D*	G*E80805D*A*	40,000	30,400	15.00	12.50	1,310	5986948
	CA*F4860*6D*	G*VC80805C*B*	40,000	30,400	14.50	12.00	1,190	5986954
	CA*F4860*6D*	A*VC950704CXB*	40,000	30,400	14.00	12.00	1,320	5987321
	CA*F4860*6D*	A*VM970804CNA*	40,000	30,400	15.00	12.50	1,195	7355896
	CA*F4860*6D*	G*VM971205DNA*	40,000	30,400	15.00	12.50	1,160	7355354
	CA*F4860*6D*	A*VM961005DXB*	40,000	30,400	14.50	12.00	1,400	5987354
	CA*F4860*6D*+EEP		40,000	30,400	14.00	12.00	1,400	5986937
	CA*F4860*6D*+EEP+TXV		42,000	32,000	14.50	12.00	1,400	5753045
	CA*F4860*6D*+MBVC2000**-1A*		40,000	30,400	15.00	12.50	1,335	5986938
	CA*F4860*6D*+MBVC2000**-1A*+TXV		40,000	30,400	15.50	12.50	1,335	5983665
	CA*F4860*6D*+TXV	G*VM971205DNA*	40,000	30,400	15.50	12.50	1,160	7355355
	CA*F4860*6D*+TXV	A*VC80805C*B*	40,000	30,400	15.50	12.50	1,190	5984056
	CA*F4860*6D*+TXV	A*EH800805C*A*	40,000	30,400	15.00	12.50	1,350	6945178
	CA*F4860*6D*+TXV	A*EH800805D*A*	40,000	30,400	15.50	12.50	1,310	6945179
	CA*F4860*6D*+TXV	G*VC961005CNA*	40,000	30,400	15.50	12.50	1,195	7355775
	CA*F4860*6D*+TXV	A*EH801005C*A*	40,000	30,400	14.50	12.00	1,420	6945180
	CA*F4860*6D*+TXV	G*VC960804CNA*	40,000	30,400	15.50	12.50	1,195	7355766
	CA*F4860*6D*+TXV	G*VC80805C*B*	40,000	30,400	15.50	12.50	1,190	5983679
	CA*F4860*6D*+TXV	AMEH961005DXA*	40,000	30,400	15.00	12.50	1,250	6945182
	CA*F4860*6D*+TXV	G*EC961205DNA*	40,000	30,400	15.00	12.50	1,300	7365868
	CA*F4860*6D*+TXV	A*VC961005CNA*	40,000	30,400	15.50	12.50	1,195	7355864
	CA*F4860*6D*+TXV	A*VC960804CNA*	40,000	30,400	15.50	12.50	1,195	7355855
	CA*F4860*6D*+TXV	A*VC961205DNA*	40,000	30,400	15.50	12.50	1,160	7355535
	CA*F4860*6D*+TXV	G*VC961205DNA*	40,000	30,400	15.50	12.50	1,160	7355208
	CA*F4860*6D*+TXV	GME950805CXA*	40,000	30,400	15.00	12.50	1,325	5983724
	CA*F4860*6D*+TXV	A*EC961004CNA*	40,000	30,400	15.00	12.50	1,300	7366024
	CA*F4860*6D*+TXV	G*E81005C*B*	40,000	30,400	14.50	12.00	1,420	5983676
	CA*F4860*6D*+TXV	A*VM970804CNA*	40,000	30,400	15.50	12.50	1,195	7355897
	CA*F4860*6D*+TXV	G*E80805D*A*	40,000	30,400	15.50	12.50	1,310	5983675
	CA*F4860*6D*+TXV	G*E80805C*B*	40,000	30,400	15.00	12.50	1,350	5983672
	CA*F4860*6D*+TXV	A*VM971005CNA*	40,000	30,400	15.50	12.50	1,195	7355906
	CA*F4860*6D*+TXV	GME951005DXA*	40,000	30,400	15.00	12.50	1,250	5983728
	CA*F4860*6D*+TXV	G*EC961004CNA*	40,000	30,400	15.00	12.50	1,300	7365862
	CA*F4860*6D*+TXV	A*VM971205DNA*	40,000	30,400	15.50	12.50	1,160	7355682
	CA*F4860*6D*+TXV	AMEH960805CXA*	40,000	30,400	15.00	12.50	1,325	6945181
	CA*F4860*6D*+TXV	G*VM971005CNA*	40,000	30,400	15.50	12.50	1,195	7355822
	CA*F4860*6D*+TXV	A*EC961205DNA*	40,000	30,400	15.00	12.50	1,300	7366030
CA*F4860*6D*+TXV	G*VM970804CNA*	40,000	30,400	15.50	12.50	1,195	7355813	
CA*F4961*6D*	G*E80805C*B*	41,000	31,200	15.00	12.50	1,350	5986946	
CA*F4961*6D*	A*VM960805CXB*	41,000	31,200	14.50	12.00	1,290	5987347	
CA*F4961*6D*	A*VC80805C*B*	41,000	31,200	15.00	12.50	1,190	5987315	
CA*F4961*6D*	G*VC950905DXB*	41,000	31,200	14.50	12.00	1,420	5986973	
CA*F4961*6D*	A*VC961005CNA*	40,500	30,800	15.00	12.50	1,195	7355865	
CA*F4961*6D*	A*VC950905DXB*	41,000	31,200	14.50	12.00	1,420	5987333	
CA*F4961*6D*	A*EH800805D*A*	41,000	31,200	15.50	12.50	1,310	6945184	
CA*F4961*6D*	G*EC961205DNA*	41,000	31,200	14.50	12.00	1,300	7365869	
CA*F4961*6D*	A*EC961205DNA*	41,000	31,200	14.50	12.00	1,300	7366031	
CA*F4961*6D*	A*EH800805C*A*	41,000	31,200	15.00	12.50	1,350	6945183	
CA*F4961*6D*	A*VC960804CNA*	40,500	30,800	15.00	12.50	1,195	7355856	

See Notes on Page 85.

OUTDOOR UNIT	INDOOR UNITS		COOLING RATINGS				CFM	AHRI #	
	COILS/AIR HANDLERS	FURNACES	TOTAL <sup>1</sup>	SENS. <sup>1</sup>	SEER <sup>2</sup>	EER <sup>3</sup>			
GSX16 0421F* (cont.)	CA*F4961*6D*	G*VC960804CNA*	40,500	30,800	15.00	12.50	1,195	7355767	
	CA*F4961*6D*	G*VM960805DXB*	41,000	31,200	14.50	12.00	1,420	5986991	
	CA*F4961*6D*	A*EH801005C*A*	41,000	31,200	14.50	12.00	1,420	6945185	
	CA*F4961*6D*	G*VC961005CNA*	40,500	30,800	15.00	12.50	1,195	7355776	
	CA*F4961*6D*	G*VM960805CXB*	41,000	31,200	14.50	12.00	1,290	5986987	
	CA*F4961*6D*	G*VM971005CNA*	40,500	30,800	15.00	12.50	1,195	7355823	
	CA*F4961*6D*	G*VC950905CXB*	41,000	31,200	14.50	12.00	1,280	5986968	
	CA*F4961*6D*	G*VC950704CXB*	41,000	31,200	14.00	12.00	1,320	5986962	
	CA*F4961*6D*	G*VM961005DXB*	41,000	31,200	14.50	12.00	1,400	5986995	
	CA*F4961*6D*	GME950805CXA*	41,000	31,200	14.50	12.00	1,325	5987005	
	CA*F4961*6D*	A*VM960805DXB*	41,000	31,200	14.50	12.00	1,420	5987351	
	CA*F4961*6D*	G*E80805D*A*	41,000	31,200	15.50	12.50	1,310	5986949	
	CA*F4961*6D*	A*VC950905CXB*	41,000	31,200	14.50	12.00	1,280	5987328	
	CA*F4961*6D*	G*VM961155DXB*	41,000	31,200	15.00	12.50	1,400	5986999	
	CA*F4961*6D*	G*VC961205DNA*	40,500	30,800	15.00	12.50	1,160	7355209	
	CA*F4961*6D*	A*VC951155DXB*	41,000	31,200	15.00	12.50	1,400	5987339	
	CA*F4961*6D*	A*VM961005DXB*	41,000	31,200	14.50	12.00	1,400	5987355	
	CA*F4961*6D*	G*EC961004CNA*	41,000	31,200	14.50	12.00	1,300	7365863	
	CA*F4961*6D*	G*VC951155DXB*	41,000	31,200	15.00	12.50	1,400	5986979	
	CA*F4961*6D*	GME951005DXA*	41,000	31,200	15.50	12.50	1,250	5987009	
	CA*F4961*6D*	G*VC80805C*B*	41,000	31,200	15.00	12.50	1,190	5986955	
	CA*F4961*6D*	AMEH961005DXA*	41,000	31,200	15.50	12.50	1,250	6945187	
	CA*F4961*6D*	A*VC950704CXB*	41,000	31,200	14.00	12.00	1,320	5987322	
	CA*F4961*6D*	A*VC81005C*B*	41,000	31,200	14.50	12.00	1,370	5987318	
	CA*F4961*6D*	A*VM961155DXB*	41,000	31,200	15.00	12.50	1,400	5987359	
	CA*F4961*6D*	G*E81005C*B*	41,000	31,200	14.50	12.00	1,420	5986952	
	CA*F4961*6D*	A*VC961205DNA*	40,500	30,800	15.00	12.50	1,160	7355536	
	CA*F4961*6D*	AMEH960805CXA*	41,000	31,200	14.50	12.00	1,325	6945186	
	CA*F4961*6D*	G*VC81005C*B*	41,000	31,200	14.50	12.00	1,370	5986958	
	CA*F4961*6D*	A*EC961004CNA*	41,000	31,200	14.50	12.00	1,300	7366025	
	CA*F4961*6D*	A*VM971205DNA*	40,500	30,800	15.00	12.50	1,160	7355683	
	CA*F4961*6D*	G*VM971205DNA*	40,500	30,800	15.00	12.50	1,160	7355356	
	CA*F4961*6D*	A*VM970804CNA*	40,500	30,800	15.00	12.50	1,195	7355898	
	CA*F4961*6D*	A*VM971005CNA*	40,500	30,800	15.00	12.50	1,195	7355907	
	CA*F4961*6D*	G*VM970804CNA*	40,500	30,800	15.00	12.50	1,195	7355814	
	CA*F4961*6D*+EEP+TXV			42,000	32,000	15.00	12.50	1,300	5753046
	CA*F4961*6D*+MBVC2000** -1A*			41,000	31,200	15.50	12.50	1,335	5986939
	CA*F4961*6D*+MBVC2000** -1A*+TXV			41,000	31,200	16.00	13.00	1,335	5983666
	CA*F4961*6D*+TXV	GME950805CXA*		41,000	31,200	15.50	12.50	1,325	5983725
	CA*F4961*6D*+TXV	G*VC960804CNA*		41,000	31,200	16.00	13.00	1,195	7355768
	CA*F4961*6D*+TXV	G*E80805D*A*		40,000	30,400	16.00	13.00	1,300	5753049
	CA*F4961*6D*+TXV	G*VM960805CXB*		41,000	31,200	15.20	12.50	1,290	6107339
CA*F4961*6D*+TXV	G*E80805C*B*		41,000	31,200	15.50	12.50	1,350	5983673	
CA*F4961*6D*+TXV	A*VC961005CNA*		41,000	31,200	16.00	13.00	1,195	7355866	
CA*F4961*6D*+TXV	A*EC961004CNA*		41,000	31,200	15.50	12.50	1,300	7366026	
CA*F4961*6D*+TXV	G*VC961205DNA*		41,000	31,200	16.00	13.00	1,160	7355210	
CA*F4961*6D*+TXV	A*VC960804CNA*		41,000	31,200	16.00	13.00	1,195	7355857	
CA*F4961*6D*+TXV	GME951005DXA*		40,000	30,400	16.00	13.00	1,200	5753051	
CA*F4961*6D*+TXV	ADVC81005C*B*		41,000	31,200	16.00	13.00	1,400	5983721	
CA*F4961*6D*+TXV	G*VC951155DXB*		41,000	31,200	16.00	13.00	1,400	5983701	
CA*F4961*6D*+TXV	G*VC961005CNA*		41,000	31,200	16.00	13.00	1,195	7355778	
CA*F4961*6D*+TXV	G*E81005C*B*		41,000	31,200	15.00	12.50	1,420	5983677	
CA*F4961*6D*+TXV	G*VM960604CXB*		41,000	31,200	14.50	12.00	1,460	5983705	
CA*F4961*6D*+TXV	G*VM971205DNA*		41,000	31,200	16.00	13.00	1,160	7355357	

See Notes on Page 85.

OUTDOOR UNIT	INDOOR UNITS		COOLING RATINGS				CFM	AHRI #
	COILS/AIR HANDLERS	FURNACES	TOTAL <sup>1</sup>	SENS. <sup>1</sup>	SEER <sup>2</sup>	EER <sup>3</sup>		
GSX16 0421F* (cont.)	CA*F4961*6D*+TXV	A*VM970804CNA*	41,000	31,200	16.00	13.00	1,195	7355899
	CA*F4961*6D*+TXV	G*VM970804CNA*	41,000	31,200	16.00	13.00	1,195	7355815
	CA*F4961*6D*+TXV	A*VC80805C*B*	41,000	31,200	15.50	12.50	1,190	5984057
	CA*F4961*6D*+TXV	G*VM960805DXB*	41,000	31,200	15.50	12.50	1,420	5983710
	CA*F4961*6D*+TXV	A*VC81005C*B*	41,000	31,200	15.20	12.50	1,370	5984059
	CA*F4961*6D*+TXV	A*EH800805C*A*	41,000	31,200	15.50	12.50	1,350	6945188
	CA*F4961*6D*+TXV	A*VC950915DXB*	41,000	31,200	15.50	12.50	1,200	5983996
	CA*F4961*6D*+TXV	G*VC950915DXB*	41,000	31,200	15.50	12.50	1,200	5983699
	CA*F4961*6D*+TXV	ADVC80805C*B*	41,000	31,200	16.00	13.00	1,250	5983718
	CA*F4961*6D*+TXV	G*VM961005DXB*	41,000	31,200	16.00	13.00	1,400	6107340
	CA*F4961*6D*+TXV	AMEH960805CXA*	41,000	31,200	15.50	12.50	1,325	6945191
	CA*F4961*6D*+TXV	A*VC950714CXB*	41,000	31,200	15.50	12.50	1,285	5984066
	CA*F4961*6D*+TXV	G*VC950905DXB*	41,000	31,200	16.00	13.00	1,400	5983695
	CA*F4961*6D*+TXV	G*EC961205DNA*	41,000	31,200	15.50	12.50	1,300	7365870
	CA*F4961*6D*+TXV	A*VM960805DXB*	41,000	31,200	15.50	12.50	1,420	5984077
	CA*F4961*6D*+TXV	A*EH800805D*A*	40,000	30,400	16.00	13.00	1,300	6945189
	CA*F4961*6D*+TXV	A*VC961205DNA*	41,000	31,200	16.00	13.00	1,160	7355537
	CA*F4961*6D*+TXV	A*VM961005DXB*	41,000	31,200	16.00	13.00	1,400	6107353
	CA*F4961*6D*+TXV	A*EH801005C*A*	41,000	31,200	15.00	12.50	1,420	6945190
	CA*F4961*6D*+TXV	A*VC950905CXB*	41,000	31,200	15.00	12.50	1,280	5984068
	CA*F4961*6D*+TXV	G*VC950704CXB*	41,000	31,200	14.50	12.00	1,320	5983685
	CA*F4961*6D*+TXV	A*VM971005CNA*	41,000	31,200	16.00	13.00	1,195	7355908
	CA*F4961*6D*+TXV	A*VC950704CXB*	41,000	31,200	14.50	12.00	1,320	5984062
	CA*F4961*6D*+TXV	A*VC951155DXB*	41,000	31,200	16.00	13.00	1,400	5983998
	CA*F4961*6D*+TXV	AMEH961005DXA*	40,000	30,400	16.00	13.00	1,200	6945192
	CA*F4961*6D*+TXV	G*EC961004CNA*	41,000	31,200	15.50	12.50	1,300	7365864
	CA*F4961*6D*+TXV	G*VM971005CNA*	41,000	31,200	16.00	13.00	1,195	7355824
	CA*F4961*6D*+TXV	A*VM960604CXB*	41,000	31,200	14.50	12.00	1,460	5984072
	CA*F4961*6D*+TXV	A*VC950905DXB*	41,000	31,200	16.00	13.00	1,400	5983992
	CA*F4961*6D*+TXV	A*VM960805CXB*	41,000	31,200	15.20	12.50	1,290	6107352
	CA*F4961*6D*+TXV	G*VC81005C*B*	41,000	31,200	15.20	12.50	1,370	5983682
	CA*F4961*6D*+TXV	A*EC961205DNA*	41,000	31,200	15.50	12.50	1,300	7366032
	CA*F4961*6D*+TXV	G*VM961155DXB*	41,000	31,200	16.00	13.00	1,400	5983715
	CA*F4961*6D*+TXV	A*VM971205DNA*	41,000	31,200	16.00	13.00	1,160	7355684
	CA*F4961*6D*+TXV	G*VC80805C*B*	41,000	31,200	15.50	12.50	1,190	5983680
	CA*F4961*6D*+TXV	G*VC950905CXB*	41,000	31,200	15.00	12.50	1,280	5983691
	CA*F4961*6D*+TXV	G*VC950714CXB*	41,000	31,200	15.50	12.50	1,285	5983689
	CA*F4961*6D*+TXV	A*VM961155DXB*	41,000	31,200	16.00	13.00	1,400	5984004
	CAPT4961*4A*	G*VM970804CNA*	40,500	30,800	15.00	12.50	1,195	7355816
	CAPT4961*4A*	A*VM960604CXB*	41,000	31,200	15.00	12.50	1,460	6945618
	CAPT4961*4A*	G*E80603B*B*	41,000	31,200	14.00	12.00	1,355	6945521
	CAPT4961*4A*	G*VM971205DNA*	40,500	30,800	15.00	12.50	1,160	7355358
CAPT4961*4A*	A*VC961005CNA*	40,500	30,800	15.00	12.50	1,195	7355867	
CAPT4961*4A*	G*E81005C*B*	41,000	31,200	15.00	12.50	1,420	6945531	
CAPT4961*4A*	G*EC961004CNA*	40,500	30,800	15.00	12.50	1,300	7365865	
CAPT4961*4A*	G*VC80604B*B*	41,000	31,200	15.00	12.50	1,410	6945537	
CAPT4961*4A*	A*VC80805C*B*	41,000	31,200	15.00	12.50	1,190	6945542	
CAPT4961*4A*	G*VC950915DXB*	41,000	31,200	15.00	12.50	1,200	6945595	
CAPT4961*4A*	G*VC960804CNA*	40,500	30,800	15.00	12.50	1,195	7355769	
CAPT4961*4A*	A*VC961205DNA*	40,500	30,800	15.00	12.50	1,160	7355538	
CAPT4961*4A*	G*VC950905CXB*	41,000	31,200	15.00	12.50	1,280	6943316	
CAPT4961*4A*	A*VM960805CXB*	41,000	31,200	15.00	12.50	1,290	6945628	
CAPT4961*4A*	GME951005DXA*	40,000	30,400	15.00	12.50	1,200	6945681	
CAPT4961*4A*	A*VM971005CNA*	40,500	30,800	15.00	12.50	1,195	7355909	

See Notes on Page 85.

OUTDOOR UNIT	INDOOR UNITS		COOLING RATINGS				CFM	AHRI #	
	COILS/AIR HANDLERS	FURNACES	TOTAL <sup>1</sup>	SENS. <sup>1</sup>	SEER <sup>2</sup>	EER <sup>3</sup>			
GSX16 0421F* (cont.)	CAPT4961*4A*	G*VC961205DNA*	40,500	30,800	15.00	12.50	1,160	7355211	
	CAPT4961*4A*	G*VM961005DXB*	41,000	31,200	15.00	12.50	1,400	6945650	
	CAPT4961*4A*	G*E80805C*B*	41,000	31,200	15.00	12.50	1,350	6945524	
	CAPT4961*4A*	G*VM960805DXB*	41,000	31,200	15.00	12.50	1,420	6945640	
	CAPT4961*4A*	ADVC81005C*B*	41,000	31,200	15.00	12.50	1,400	6945670	
	CAPT4961*4A*	A*VC950905CXB*	41,000	31,200	15.00	12.50	1,280	6943315	
	CAPT4961*4A*	G*VC961005CNA*	40,500	30,800	15.00	12.50	1,195	7355779	
	CAPT4961*4A*	GME950805CXA*	40,500	30,800	15.00	12.50	1,325	6945675	
	CAPT4961*4A*	G*VM960604CXB*	41,000	31,200	15.00	12.50	1,460	6945619	
	CAPT4961*4A*	A*VC960804CNA*	40,500	30,800	15.00	12.50	1,195	7355858	
	CAPT4961*4A*	A*VM971205DNA*	40,500	30,800	15.00	12.50	1,160	7355685	
	CAPT4961*4A*	A*VM961005DXB*	41,000	31,200	15.00	12.50	1,400	6945649	
	CAPT4961*4A*	A*VM961155DXB*	40,500	30,800	15.00	12.50	1,400	6945658	
	CAPT4961*4A*	A*EC961004CNA*	40,500	30,800	15.00	12.50	1,300	7366027	
	CAPT4961*4A*	G*VM960805CXB*	41,000	31,200	15.00	12.50	1,290	6945629	
	CAPT4961*4A*	G*VM960603BXB*	41,000	31,200	14.00	12.00	1,355	6945613	
	CAPT4961*4A*	A*VC81005C*B*	41,000	31,200	15.00	12.50	1,370	6945547	
	CAPT4961*4A*	G*E80805D*A*	41,000	31,200	15.00	12.50	1,300	6945527	
	CAPT4961*4A*	A*VM970804CNA*	40,500	30,800	15.00	12.50	1,195	7355900	
	CAPT4961*4A*	A*VC950714CXB*	41,000	31,200	15.00	12.50	1,285	6945568	
	CAPT4961*4A*	G*VC951155DXB*	41,000	31,200	15.00	12.50	1,400	6945605	
	CAPT4961*4A*	A*VC950915DXB*	41,000	31,200	15.00	12.50	1,200	6945594	
	CAPT4961*4A*	A*VC950905DXB*	41,000	31,200	15.00	12.50	1,400	6945584	
	CAPT4961*4A*	G*EC961205DNA*	40,500	30,800	15.00	12.50	1,300	7365871	
	CAPT4961*4A*	A*VM960603BXB*	41,000	31,200	14.00	12.00	1,355	6945612	
	CAPT4961*4A*	G*VC81005C*B*	41,000	31,200	15.00	12.50	1,370	6945548	
	CAPT4961*4A*	A*VC80604B*B*	41,000	31,200	15.00	12.50	1,410	6945536	
	CAPT4961*4A*	G*VM961155DXB*	40,500	30,800	15.00	12.50	1,400	6945659	
	CAPT4961*4A*	G*VC950714CXB*	41,000	31,200	15.00	12.50	1,285	6945569	
	CAPT4961*4A*	A*EC961205DNA*	40,500	30,800	15.00	12.50	1,300	7366033	
	CAPT4961*4A*	G*VC80805C*B*	41,000	31,200	15.00	12.50	1,190	6945543	
	CAPT4961*4A*	G*VC950905DXB*	41,000	31,200	15.00	12.50	1,400	6945585	
	CAPT4961*4A*	G*VM971005CNA*	40,500	30,800	15.00	12.50	1,195	7355825	
	CAPT4961*4A*	ADVC80805C*B*	41,000	31,200	15.00	12.50	1,250	6945666	
	CAPT4961*4A*	A*VM960805DXB*	41,000	31,200	15.00	12.50	1,420	6945639	
	CAPT4961*4A*	A*VC951155DXB*	41,000	31,200	15.00	12.50	1,400	6945604	
	CAPT4961*4A*+EEP			41,000	31,200	15.00	12.50	1,400	5983667
	CAPT4961*4A*+MBVC1600**-1A*			41,000	31,200	15.00	12.50	1,375	6945518
	CAPT4961*4A*+MBVC2000**-1A*			41,000	31,200	16.00	13.00	1,335	5983668
	CHPF3743C6B*+EEP			40,000	30,400	14.00	12.00	1,400	5986940
	CHPF3743C6B*+EEP+TXV			41,500	31,600	14.50	12.00	1,300	5753047
	CHPF3743D6B*+EEP			40,000	30,400	14.00	12.00	1,400	5986941
CHPF3743D6B*+EEP+TXV			40,000	30,400	14.50	12.00	1,400	5983669	
CHPF4860D6D*	G*VC951155DXB*		40,000	30,400	14.50	12.00	1,400	5986980	
CHPF4860D6D*	G*VC960804CNA*		40,500	30,800	15.00	12.50	1,195	7355771	
CHPF4860D6D*	A*VC961005CNA*		40,500	30,800	15.00	12.50	1,195	7356743	
CHPF4860D6D*	G*E80805D*A*		40,000	30,400	15.50	12.50	1,310	5986950	
CHPF4860D6D*	G*VM960805DXB*		40,000	30,400	15.00	12.50	1,420	5986992	
CHPF4860D6D*	A*EH801005C*A*		40,500	30,800	14.50	12.00	1,420	6945195	
CHPF4860D6D*	G*VM971005CNA*		40,500	30,800	15.00	12.50	1,195	7356731	
CHPF4860D6D*	G*E80805C*B*		40,000	30,400	15.00	12.50	1,350	5986947	
CHPF4860D6D*	A*VC81005C*B*		39,000	29,600	14.50	12.00	1,370	5987319	
CHPF4860D6D*	A*EC961205DNA*		40,000	30,400	14.50	12.00	1,300	7366034	
CHPF4860D6D*	A*EC961004CNA*		40,000	30,400	14.50	12.00	1,300	7366028	

See Notes on Page 85.

OUTDOOR UNIT	INDOOR UNITS		COOLING RATINGS				CFM	AHRI #	
	COILS/AIR HANDLERS	FURNACES	TOTAL <sup>1</sup>	SENS. <sup>1</sup>	SEER <sup>2</sup>	EER <sup>3</sup>			
GSX16 0421F* (cont.)	CHPF4860D6D*	AMEH961005DXA*	40,000	30,400	15.50	12.50	1,250	6945197	
	CHPF4860D6D*	A*VC960804CNA*	40,500	30,800	15.00	12.50	1,195	7355860	
	CHPF4860D6D*	GME950805CXA*	40,000	30,400	15.00	12.50	1,325	5987006	
	CHPF4860D6D*	A*VC80805C*B*	41,000	31,200	15.00	12.50	1,190	5987316	
	CHPF4860D6D*	A*VM970804CNA*	40,500	30,800	15.00	12.50	1,195	7355902	
	CHPF4860D6D*	G*VM970804CNA*	40,500	30,800	15.00	12.50	1,195	7355818	
	CHPF4860D6D*	G*VC950905CXB*	40,000	30,400	15.00	12.50	1,280	5986969	
	CHPF4860D6D*	GME951005DXA*	40,000	30,400	15.50	12.50	1,250	5987010	
	CHPF4860D6D*	AMEH960805CXA*	40,000	30,400	15.00	12.50	1,325	6945196	
	CHPF4860D6D*	A*EH800805C*A*	40,000	30,400	15.00	12.50	1,350	6945193	
	CHPF4860D6D*	A*VM960805CXB*	40,000	30,400	14.50	12.00	1,290	5987348	
	CHPF4860D6D*	A*VC950905DXB*	40,000	30,400	15.00	12.50	1,420	5987334	
	CHPF4860D6D*	G*E81005C*B*	40,500	30,800	14.50	12.00	1,420	5986953	
	CHPF4860D6D*	G*VM961005DXB*	40,000	30,400	14.50	12.00	1,400	5986996	
	CHPF4860D6D*	G*EC961205DNA*	40,000	30,400	14.50	12.00	1,300	7365872	
	CHPF4860D6D*	A*VM960805DXB*	40,000	30,400	15.00	12.50	1,420	5987352	
	CHPF4860D6D*	A*VC951155DXB*	40,000	30,400	14.50	12.00	1,400	5987340	
	CHPF4860D6D*	A*VM960604CXB*	40,000	30,400	14.00	12.00	1,460	5987344	
	CHPF4860D6D*	G*VM960604CXB*	40,000	30,400	14.00	12.00	1,460	5986984	
	CHPF4860D6D*	A*VM971205DNA*	40,500	30,800	15.00	12.50	1,160	7356755	
	CHPF4860D6D*	G*VC950704CXB*	41,000	31,200	14.00	12.00	1,320	5986963	
	CHPF4860D6D*	A*VM961005DXB*	40,000	30,400	14.50	12.00	1,400	5987356	
	CHPF4860D6D*	G*VM960805CXB*	40,000	30,400	14.50	12.00	1,290	5986988	
	CHPF4860D6D*	A*VC950905CXB*	40,000	30,400	15.00	12.50	1,280	5987329	
	CHPF4860D6D*	A*VC950704CXB*	41,000	31,200	14.00	12.00	1,320	5987323	
	CHPF4860D6D*	A*VM971005CNA*	40,500	30,800	15.00	12.50	1,195	7356754	
	CHPF4860D6D*	G*VC961005CNA*	40,500	30,800	15.00	12.50	1,195	7356722	
	CHPF4860D6D*	G*VC950905DXB*	40,000	30,400	15.00	12.50	1,420	5986974	
	CHPF4860D6D*	G*VC81005C*B*	39,000	29,600	14.50	12.00	1,370	5986959	
	CHPF4860D6D*	G*VC80805C*B*	41,000	31,200	15.00	12.50	1,190	5986956	
	CHPF4860D6D*	A*VM961155DXB*	40,000	30,400	14.50	12.00	1,400	5987360	
	CHPF4860D6D*	G*VM961155DXB*	40,000	30,400	14.50	12.00	1,400	5987000	
	CHPF4860D6D*	G*VC961205DNA*	40,500	30,800	15.00	12.50	1,160	7356723	
	CHPF4860D6D*	A*VC961205DNA*	40,500	30,800	15.00	12.50	1,160	7356744	
	CHPF4860D6D*	G*VM971205DNA*	40,500	30,800	15.00	12.50	1,160	7356732	
	CHPF4860D6D*	A*EH800805D*A*	40,000	30,400	15.50	12.50	1,310	6945194	
	CHPF4860D6D*	G*EC961004CNA*	40,000	30,400	14.50	12.00	1,300	7365866	
	CHPF4860D6D*+EEP			40,000	30,400	14.00	12.00	1,400	5986942
	CHPF4860D6D*+EEP+TXV			41,000	31,200	15.00	12.50	1,200	5753048
	CHPF4860D6D*+MBVC2000** -1A*			40,000	30,400	15.50	12.50	1,335	5986943
	CHPF4860D6D*+MBVC2000** -1A*+TXV			40,000	30,400	16.00	13.00	1,335	5983670
	CHPF4860D6D*+TXV	A*VM960604CXB*		40,000	30,400	15.50	12.50	1,460	5984073
CHPF4860D6D*+TXV	G*VC81005C*B*		40,000	30,400	15.00	12.50	1,370	5983683	
CHPF4860D6D*+TXV	A*VM960805DXB*		41,500	31,600	15.00	12.50	1,420	5984078	
CHPF4860D6D*+TXV	G*VM961155DXB*		40,500	30,800	16.00	13.00	1,300	5983716	
CHPF4860D6D*+TXV	A*VM960805CXB*		41,500	31,600	15.00	12.50	1,290	5984075	
CHPF4860D6D*+TXV	A*VM971005CNA*		40,500	30,800	16.00	13.00	1,195	7355910	
CHPF4860D6D*+TXV	G*VM971205DNA*		40,500	30,800	16.00	13.00	1,160	7355359	
CHPF4860D6D*+TXV	G*VM961005DXB*		40,500	30,800	16.00	13.00	1,300	5983713	
CHPF4860D6D*+TXV	A*VC950905DXB*		41,000	31,200	16.00	13.00	1,300	5983993	
CHPF4860D6D*+TXV	GME950805CXA*		41,000	31,200	15.50	12.50	1,325	5983726	
CHPF4860D6D*+TXV	A*VC950905CXB*		41,500	31,600	15.00	12.50	1,280	5984069	
CHPF4860D6D*+TXV	A*VC81005C*B*		40,000	30,400	15.00	12.50	1,370	5984060	
CHPF4860D6D*+TXV	G*E81005C*B*		40,500	30,800	15.00	12.50	1,420	5983678	

See Notes on Page 85.

OUTDOOR UNIT	INDOOR UNITS		COOLING RATINGS				CFM	AHRI #
	COILS/AIR HANDLERS	FURNACES	TOTAL <sup>1</sup>	SENS. <sup>1</sup>	SEER <sup>2</sup>	EER <sup>3</sup>		
GSX16 0421F* (cont.)	CHPF4860D6D*+TXV	A*VC950704CXB*	41,000	31,200	14.50	12.00	1,320	5984063
	CHPF4860D6D*+TXV	G*VC961205DNA*	40,500	30,800	16.00	13.00	1,160	7355212
	CHPF4860D6D*+TXV	A*VM970804CNA*	40,500	30,800	16.00	13.00	1,195	7355901
	CHPF4860D6D*+TXV	A*EH800805C*A*	40,000	30,400	15.50	12.50	1,350	6945198
	CHPF4860D6D*+TXV	A*EC961004CNA*	40,000	30,400	15.50	12.50	1,300	7366029
	CHPF4860D6D*+TXV	G*EC961205DNA*	40,000	30,400	15.50	12.50	1,300	7365873
	CHPF4860D6D*+TXV	A*VC80805C*B*	41,000	31,200	15.50	12.50	1,190	5984058
	CHPF4860D6D*+TXV	A*VC961205DNA*	40,500	30,800	16.00	13.00	1,160	7355539
	CHPF4860D6D*+TXV	G*E80805D*A*	40,000	30,400	16.00	13.00	1,300	5753050
	CHPF4860D6D*+TXV	A*VM971205DNA*	40,500	30,800	16.00	13.00	1,160	7355686
	CHPF4860D6D*+TXV	AMEH960805CXA*	41,000	31,200	15.50	12.50	1,325	6945201
	CHPF4860D6D*+TXV	A*VC951155DXB*	40,500	30,800	16.00	13.00	1,300	5983999
	CHPF4860D6D*+TXV	G*EC961004CNA*	40,000	30,400	15.50	12.50	1,300	7365867
	CHPF4860D6D*+TXV	G*VM971005CNA*	40,500	30,800	16.00	13.00	1,195	7355826
	CHPF4860D6D*+TXV	G*VC950704CXB*	41,000	31,200	14.50	12.00	1,320	5983686
	CHPF4860D6D*+TXV	A*EC961205DNA*	40,000	30,400	15.50	12.50	1,300	7366035
	CHPF4860D6D*+TXV	A*VC960804CNA*	40,500	30,800	16.00	13.00	1,195	7355859
	CHPF4860D6D*+TXV	A*EH800805D*A*	40,000	30,400	16.00	13.00	1,300	6945199
	CHPF4860D6D*+TXV	G*VC960804CNA*	40,500	30,800	16.00	13.00	1,195	7355770
	CHPF4860D6D*+TXV	G*VM960805DXB*	41,500	31,600	15.00	12.50	1,420	5983711
	CHPF4860D6D*+TXV	G*VC951155DXB*	40,500	30,800	16.00	13.00	1,300	5983702
	CHPF4860D6D*+TXV	G*VM960604CXB*	40,000	30,400	15.50	12.50	1,460	5983706
	CHPF4860D6D*+TXV	A*EH801005C*A*	40,500	30,800	15.00	12.50	1,420	6945200
	CHPF4860D6D*+TXV	G*VC950905DXB*	41,000	31,200	16.00	13.00	1,300	5983696
	CHPF4860D6D*+TXV	G*VM970804CNA*	40,500	30,800	16.00	13.00	1,195	7355817
	CHPF4860D6D*+TXV	G*E80805C*B*	40,000	30,400	15.50	12.50	1,350	5983674
	CHPF4860D6D*+TXV	GME951005DXA*	40,000	30,400	16.00	13.00	1,200	5753052
	CHPF4860D6D*+TXV	A*VM961005DXB*	40,500	30,800	16.00	13.00	1,300	5984002
	CHPF4860D6D*+TXV	G*VC80805C*B*	41,000	31,200	15.50	12.50	1,190	5983681
	CHPF4860D6D*+TXV	G*VC950905CXB*	41,500	31,600	15.00	12.50	1,280	5983692
	CHPF4860D6D*+TXV	G*VM960805CXB*	41,500	31,600	15.00	12.50	1,290	5983708
	CHPF4860D6D*+TXV	AMEH961005DXA*	40,000	30,400	16.00	13.00	1,200	6945202
	CHPF4860D6D*+TXV	G*VC961005CNA*	40,500	30,800	16.00	13.00	1,195	7355780
	CHPF4860D6D*+TXV	A*VC961005CNA*	40,500	30,800	16.00	13.00	1,195	7355868
	CHPF4860D6D*+TXV	A*VM961155DXB*	40,500	30,800	16.00	13.00	1,300	5984005
	CSCF4860N6D*	A*VC950704CXB*	40,000	30,400	14.00	12.00	1,320	5987324
	CSCF4860N6D*	G*VC950704CXB*	40,000	30,400	14.00	12.00	1,320	5986964
	CSCF4860N6D*	A*VM971005CNA*	40,000	30,400	15.00	12.50	1,195	7355912
	CSCF4860N6D*	G*VC961205DNA*	40,000	30,400	15.00	12.50	1,160	7355214
	CSCF4860N6D*	G*VC950905CXB*	40,000	30,400	14.00	12.00	1,280	5986970
	CSCF4860N6D*	G*VC961005CNA*	40,000	30,400	15.00	12.50	1,195	7355782
	CSCF4860N6D*	A*VM970804CNA*	40,000	30,400	15.00	12.50	1,195	7355904
CSCF4860N6D*	G*VM971005CNA*	40,000	30,400	15.00	12.50	1,195	7355828	
CSCF4860N6D*	A*VC961005CNA*	40,000	30,400	15.00	12.50	1,195	7355870	
CSCF4860N6D*	A*VC960804CNA*	40,000	30,400	15.00	12.50	1,195	7355862	
CSCF4860N6D*	A*VM971205DNA*	40,000	30,400	15.00	12.50	1,160	7355688	
CSCF4860N6D*	A*VC950905CXB*	40,000	30,400	14.00	12.00	1,280	5987330	
CSCF4860N6D*	G*VM971205DNA*	40,000	30,400	15.00	12.50	1,160	7355361	
CSCF4860N6D*	G*VC951155DXB*	40,000	30,400	14.00	12.00	1,400	5986981	
CSCF4860N6D*	A*VC961205DNA*	40,000	30,400	15.00	12.50	1,160	7355541	
CSCF4860N6D*	G*VC960804CNA*	40,000	30,400	15.00	12.50	1,195	7355773	
CSCF4860N6D*	G*VC950905DXB*	40,000	30,400	15.00	12.50	1,420	5986975	
CSCF4860N6D*	A*VC950905DXB*	40,000	30,400	15.00	12.50	1,420	5987335	
CSCF4860N6D*	G*VM970804CNA*	40,000	30,400	15.00	12.50	1,195	7355820	

See Notes on Page 85.

OUTDOOR UNIT	INDOOR UNITS		COOLING RATINGS				CFM	AHRI #
	COILS/AIR HANDLERS	FURNACES	TOTAL <sup>1</sup>	SENS. <sup>1</sup>	SEER <sup>2</sup>	EER <sup>3</sup>		
GSX16 0421F* (cont.)	CSCF4860N6D*	A*VC951155DXB*	40,000	30,400	14.00	12.00	1,400	5987341
	CSCF4860N6D*+EEP		40,000	30,400	14.00	12.00	1,400	5986944
	CSCF4860N6D*+EEP+TXV		40,000	30,400	14.50	12.00	1,400	5983671
	CSCF4860N6D*+TXV	A*VC951155DXB*	40,500	30,800	16.00	13.00	1,300	5984000
	CSCF4860N6D*+TXV	A*VC950905DXB*	40,500	30,800	16.00	13.00	1,300	5983994
	CSCF4860N6D*+TXV	A*VC950704CXB*	40,000	30,400	14.50	12.00	1,320	5984064
	CSCF4860N6D*+TXV	A*VM961005DXB*	40,500	30,800	16.00	13.00	1,300	6521091
	CSCF4860N6D*+TXV	A*VM971205DNA*	40,000	30,400	15.50	12.50	1,160	7355687
	CSCF4860N6D*+TXV	G*VC950704CXB*	40,000	30,400	14.50	12.00	1,320	5983687
	CSCF4860N6D*+TXV	A*VC960804CNA*	40,000	30,400	15.50	12.50	1,195	7355861
	CSCF4860N6D*+TXV	G*VM970804CNA*	40,000	30,400	15.50	12.50	1,195	7355819
	CSCF4860N6D*+TXV	G*VC961005CNA*	40,000	30,400	15.50	12.50	1,195	7355781
	CSCF4860N6D*+TXV	G*VM971205DNA*	40,000	30,400	15.50	12.50	1,160	7355360
	CSCF4860N6D*+TXV	G*VC951155DXB*	40,500	30,800	16.00	13.00	1,300	5983703
	CSCF4860N6D*+TXV	A*VC950905CXB*	41,000	31,200	14.50	12.00	1,280	5984070
	CSCF4860N6D*+TXV	A*VM971005CNA*	40,000	30,400	15.50	12.50	1,195	7355911
	CSCF4860N6D*+TXV	G*VM961155DXB*	40,500	30,800	16.00	13.00	1,300	6521089
	CSCF4860N6D*+TXV	G*VC961205DNA*	40,000	30,400	15.50	12.50	1,160	7355213
	CSCF4860N6D*+TXV	A*VC961205DNA*	40,000	30,400	15.50	12.50	1,160	7355540
	CSCF4860N6D*+TXV	G*VM961005DXB*	40,500	30,800	16.00	13.00	1,300	6521090
	CSCF4860N6D*+TXV	G*VC950905CXB*	41,000	31,200	14.50	12.00	1,280	5983693
	CSCF4860N6D*+TXV	A*VC961005CNA*	40,000	30,400	15.50	12.50	1,195	7355869
	CSCF4860N6D*+TXV	A*VM970804CNA*	40,000	30,400	15.50	12.50	1,195	7355903
CSCF4860N6D*+TXV	G*VC960804CNA*	40,000	30,400	15.50	12.50	1,195	7355772	
CSCF4860N6D*+TXV	G*VM971005CNA*	40,000	30,400	15.50	12.50	1,195	7355827	
CSCF4860N6D*+TXV	A*VM961155DXB*	40,500	30,800	16.00	13.00	1,300	6521088	
CSCF4860N6D*+TXV	G*VC950905DXB*	40,500	30,800	16.00	13.00	1,300	5983697	
DV48PTCC14A*		40,000	30,400	14.50	12.00	1,300	7040830	
GSX16 0481F*	ARPT48D14A*		45,000	34,200	14.50	12.00	1,435	5983729
	ARPT60D14A*		45,000	34,200	14.50	12.00	1,455	5983730
	ARUF48D14A*		44,500	34,000	14.00	12.00	1,480	5987011
	ARUF60D14A*		44,500	34,000	14.00	12.00	1,355	5987012
	ASPT48C14A*		43,000	32,800	14.00	12.00	1,400	7040831
	ASPT48D14A*		45,000	34,200	16.00	13.00	1,400	5756177
	ASUF49C14A*		43,000	32,800	13.50	11.50	1,435	5987013
	ASUF49C14A*+TXV		43,000	32,800	14.00	11.50	1,435	5983731
	AVPTC48C14A*		43,000	32,800	14.00	12.00	1,445	7040832
	AVPTC48D14A*		45,000	34,200	16.00	13.00	1,350	5924358
	CA*F4860*6D*	G*VC950905DXB*	44,000	33,600	14.50	12.00	1,420	5987043
	CA*F4860*6D*	AMEH961005DXA*	44,000	33,600	15.00	12.50	1,470	6945207
	CA*F4860*6D*	GME951005DXA*	44,000	33,600	15.00	12.50	1,470	5987067
	CA*F4860*6D*	G*VM960805DXB*	44,000	33,600	14.50	12.00	1,410	5987056
	CA*F4860*6D*	G*VC81005C*B*	44,000	33,600	14.50	12.00	1,520	5987036
	CA*F4860*6D*	A*VC950905CXB*	44,000	33,600	14.50	12.00	1,440	5987367
	CA*F4860*6D*	A*VC81005C*B*	44,000	33,600	14.50	12.00	1,520	5987364
	CA*F4860*6D*	G*E80805D*A*	44,000	33,600	15.00	12.50	1,490	5987025
	CA*F4860*6D*	G*E81005C*B*	44,000	33,600	14.50	12.00	1,390	5987029
	CA*F4860*6D*	G*E80805C*B*	44,000	33,600	14.50	12.00	1,480	5987021
	CA*F4860*6D*	G*VM961005DXB*	44,000	33,600	14.50	12.00	1,395	5987059
	CA*F4860*6D*	A*VC950905DXB*	44,000	33,600	14.50	12.00	1,420	5987371
	CA*F4860*6D*	A*VC950915DXB*	44,000	33,600	15.00	12.50	1,425	5987375
CA*F4860*6D*	AMEH960805CXA*	44,000	33,600	14.50	12.00	1,485	6945206	
CA*F4860*6D*	G*VC950915DXB*	44,000	33,600	15.00	12.50	1,425	5987047	
CA*F4860*6D*	G*VM961155DXB*	44,000	33,600	15.00	12.50	1,395	5987061	

See Notes on Page 85.

OUTDOOR UNIT	INDOOR UNITS		COOLING RATINGS				CFM	AHRI #
	COILS/AIR HANDLERS	FURNACES	TOTAL <sup>1</sup>	SENS. <sup>1</sup>	SEER <sup>2</sup>	EER <sup>3</sup>		
GSX16 0481F* (cont.)	CA*F4860*6D*	A*EH801005C*A*	44,000	33,600	14.50	12.00	1,390	6945205
	CA*F4860*6D*	A*EH800805D*A*	44,000	33,600	15.00	12.50	1,490	6945204
	CA*F4860*6D*	A*VM960805DXB*	44,000	33,600	14.50	12.00	1,410	5987384
	CA*F4860*6D*	A*VC951155DXB*	44,000	33,600	15.00	12.50	1,395	5987377
	CA*F4860*6D*	G*VC951155DXB*	44,000	33,600	15.00	12.50	1,395	5987049
	CA*F4860*6D*	G*VC80805C*B*	44,000	33,600	14.50	12.00	1,385	5987033
	CA*F4860*6D*	A*VM961005DXB*	44,000	33,600	14.50	12.00	1,395	5987387
	CA*F4860*6D*	A*EH800805C*A*	44,000	33,600	14.50	12.00	1,480	6945203
	CA*F4860*6D*	GME950805CXA*	44,000	33,600	14.50	12.00	1,485	5987064
	CA*F4860*6D*	G*VM960805CXB*	44,000	33,600	14.50	12.00	1,440	5987053
	CA*F4860*6D*	A*VM960805CXB*	44,000	33,600	14.50	12.00	1,440	5987381
	CA*F4860*6D*	A*VC80805C*B*	44,000	33,600	14.50	12.00	1,385	5987361
	CA*F4860*6D*	A*VM961155DXB*	44,000	33,600	15.00	12.50	1,395	5987389
	CA*F4860*6D*	G*VC950905CXB*	44,000	33,600	14.50	12.00	1,440	5987039
	CA*F4860*6D*+EEP		44,000	33,600	14.00	12.00	1,500	5987014
	CA*F4860*6D*+EEP+TXV		44,000	33,600	14.50	12.00	1,500	5987372
	CA*F4860*6D*+MBVC2000*-1A*		44,000	33,600	15.00	12.50	1,475	5987015
	CA*F4860*6D*+MBVC2000*-1A*+TXV		44,000	33,600	15.50	12.50	1,475	5987373
	CA*F4860*6D*+TXV	G*E80805D*A*	44,000	33,600	15.50	12.50	1,490	5987374
	CA*F4860*6D*+TXV	A*VC80805C*B*	44,000	33,600	15.00	12.50	1,385	5984006
	CA*F4860*6D*+TXV	AMEH961005DXA*	44,000	33,600	15.50	12.50	1,470	6945212
	CA*F4860*6D*+TXV	A*VC950915DXB*	44,000	33,600	15.50	12.50	1,425	5984086
	CA*F4860*6D*+TXV	G*E81005C*B*	44,000	33,600	15.00	12.50	1,390	5983746
	CA*F4860*6D*+TXV	G*VM960805DXB*	44,000	33,600	15.00	12.50	1,410	5983772
	CA*F4860*6D*+TXV	A*VC81005C*B*	44,000	33,600	15.00	12.50	1,520	5984079
	CA*F4860*6D*+TXV	A*VM961155DXB*	44,000	33,600	15.00	12.50	1,395	5984100
	CA*F4860*6D*+TXV	G*VC81005C*B*	44,000	33,600	15.00	12.50	1,520	5983753
	CA*F4860*6D*+TXV	A*VC950905CXB*	44,000	33,600	15.00	12.50	1,440	5984082
	CA*F4860*6D*+TXV	G*VC951155DXB*	44,000	33,600	15.50	12.50	1,395	5983766
	CA*F4860*6D*+TXV	G*VC950905DXB*	44,000	33,600	15.00	12.50	1,420	5983760
	CA*F4860*6D*+TXV	ADVC80805C*B*	44,000	33,600	15.50	12.50	1,495	5983781
	CA*F4860*6D*+TXV	A*VC951155DXB*	44,000	33,600	15.50	12.50	1,395	5984088
	CA*F4860*6D*+TXV	G*VC80805C*B*	44,000	33,600	15.00	12.50	1,385	5983750
	CA*F4860*6D*+TXV	G*E80805C*B*	44,000	33,600	15.00	12.50	1,480	5983740
	CA*F4860*6D*+TXV	G*VC950915DXB*	44,000	33,600	15.50	12.50	1,425	5983764
	CA*F4860*6D*+TXV	A*EH800805C*A*	44,000	33,600	15.00	12.50	1,480	6945208
	CA*F4860*6D*+TXV	A*VM960805DXB*	44,000	33,600	15.00	12.50	1,410	5984094
	CA*F4860*6D*+TXV	GME950805CXA*	44,000	33,600	15.00	12.50	1,485	5983787
	CA*F4860*6D*+TXV	A*VM961005DXB*	44,000	33,600	15.00	12.50	1,395	5984097
	CA*F4860*6D*+TXV	G*VM961155DXB*	44,000	33,600	15.00	12.50	1,395	5983778
	CA*F4860*6D*+TXV	A*VC950905DXB*	44,000	33,600	15.00	12.50	1,420	5984009
	CA*F4860*6D*+TXV	G*VC950905CXB*	44,000	33,600	15.00	12.50	1,440	5983756
CA*F4860*6D*+TXV	A*EH801005C*A*	44,000	33,600	15.00	12.50	1,390	6945210	
CA*F4860*6D*+TXV	ADVC81005C*B*	44,000	33,600	15.50	12.50	1,405	5983784	
CA*F4860*6D*+TXV	A*EH800805D*A*	44,000	33,600	15.50	12.50	1,490	6945209	
CA*F4860*6D*+TXV	GME951005DXA*	44,000	33,600	15.50	12.50	1,470	5983790	
CA*F4860*6D*+TXV	G*VM961005DXB*	44,000	33,600	15.00	12.50	1,395	5983775	
CA*F4860*6D*+TXV	AMEH960805CXA*	44,000	33,600	15.00	12.50	1,485	6945211	
CA*F4961*6D*	A*VM961155DXB*	44,500	34,000	15.00	12.50	1,395	5987390	
CA*F4961*6D*	A*EC961004CNA*	44,500	34,000	15.00	12.50	1,500	7366036	
CA*F4961*6D*	A*VM970804CNA*	45,000	34,200	15.00	12.50	1,520	7355690	
CA*F4961*6D*	A*VM971005CNA*	45,000	34,200	15.00	12.50	1,450	7355696	
CA*F4961*6D*	G*VC960804CNA*	45,000	34,200	15.00	12.50	1,520	7355216	
CA*F4961*6D*	A*VC81005C*B*	44,500	34,000	15.00	12.50	1,520	5987365	

See Notes on Page 85.

OUTDOOR UNIT	INDOOR UNITS		COOLING RATINGS				CFM	AHRI #	
	COILS/AIR HANDLERS	FURNACES	TOTAL <sup>1</sup>	SENS. <sup>1</sup>	SEER <sup>2</sup>	EER <sup>3</sup>			
GSX16 0481F* (cont.)	CA*F4961*6D*	G*E80805C*B*	44,500	34,000	15.00	12.50	1,480	5987022	
	CA*F4961*6D*	GME951005DXA*	44,500	34,000	15.50	12.50	1,470	5987068	
	CA*F4961*6D*	A*VC960804CNA*	45,000	34,200	15.00	12.50	1,520	7355543	
	CA*F4961*6D*	A*VC950905CXB*	44,500	34,000	15.00	12.50	1,440	5987368	
	CA*F4961*6D*	G*VC961205DNA*	45,000	34,200	15.00	12.50	1,450	7355228	
	CA*F4961*6D*	G*VC950905DXB*	44,500	34,000	15.00	12.50	1,420	5987044	
	CA*F4961*6D*	A*EC961205DNA*	45,000	34,200	15.50	12.50	1,500	7366041	
	CA*F4961*6D*	A*VC950905DXB*	44,500	34,000	15.00	12.50	1,420	5987372	
	CA*F4961*6D*	G*VC81005C*B*	44,500	34,000	15.00	12.50	1,520	5987037	
	CA*F4961*6D*	A*VM971205DNA*	45,000	34,200	15.00	12.50	1,450	7355702	
	CA*F4961*6D*	G*VM960805CXB*	44,500	34,000	15.00	12.50	1,440	5987054	
	CA*F4961*6D*	A*VC951155DXB*	44,500	34,000	15.00	12.50	1,395	5987378	
	CA*F4961*6D*	A*VC961005CNA*	45,000	34,200	15.00	12.50	1,450	7355549	
	CA*F4961*6D*	G*VM970804CNA*	45,000	34,200	15.00	12.50	1,520	7355363	
	CA*F4961*6D*	G*VM971205DNA*	45,000	34,200	15.00	12.50	1,450	7355375	
	CA*F4961*6D*	G*VC950915DXB*	44,500	34,000	15.00	12.50	1,425	5987048	
	CA*F4961*6D*	G*E80805D*A*	44,500	34,000	15.50	12.50	1,490	5987026	
	CA*F4961*6D*	G*VC80805C*B*	44,500	34,000	15.00	12.50	1,385	5987034	
	CA*F4961*6D*	A*VM960805DXB*	44,500	34,000	15.00	12.50	1,410	5987385	
	CA*F4961*6D*	AMEH960805CXA*	44,500	34,000	14.50	12.00	1,485	6945216	
	CA*F4961*6D*	G*EC961004CNA*	44,500	34,000	15.00	12.50	1,500	7365874	
	CA*F4961*6D*	A*EH800805C*A*	44,500	34,000	15.00	12.50	1,480	6945213	
	CA*F4961*6D*	G*VC950905CXB*	44,500	34,000	15.00	12.50	1,440	5987040	
	CA*F4961*6D*	G*VC961005CNA*	45,000	34,200	15.00	12.50	1,450	7355222	
	CA*F4961*6D*	A*VC950915DXB*	44,500	34,000	15.00	12.50	1,425	5987376	
	CA*F4961*6D*	A*VM960805CXB*	44,500	34,000	15.00	12.50	1,440	5987382	
	CA*F4961*6D*	A*VC80805C*B*	44,500	34,000	15.00	12.50	1,385	5987362	
	CA*F4961*6D*	G*VM971005CNA*	45,000	34,200	15.00	12.50	1,450	7355369	
	CA*F4961*6D*	A*VC961205DNA*	45,000	34,200	15.00	12.50	1,450	7355555	
	CA*F4961*6D*	A*EH800805D*A*	44,500	34,000	15.50	12.50	1,490	6945214	
	CA*F4961*6D*	A*EH801005C*A*	44,500	34,000	15.00	12.50	1,390	6945215	
	CA*F4961*6D*	G*EC961205DNA*	45,000	34,200	15.50	12.50	1,500	7365879	
	CA*F4961*6D*	G*VC951155DXB*	44,500	34,000	15.00	12.50	1,395	5987050	
	CA*F4961*6D*	GME950805CXA*	44,500	34,000	14.50	12.00	1,485	5987065	
	CA*F4961*6D*	G*E81005C*B*	44,500	34,000	15.00	12.50	1,390	5987030	
	CA*F4961*6D*	G*VM960805DXB*	44,500	34,000	15.00	12.50	1,410	5987057	
	CA*F4961*6D*	AMEH961005DXA*	44,500	34,000	15.50	12.50	1,470	6945217	
	CA*F4961*6D*	G*VM961155DXB*	44,500	34,000	15.00	12.50	1,395	5987062	
	CA*F4961*6D*+EEP			44,500	34,000	14.00	12.00	1,500	5987016
	CA*F4961*6D*+EEP+TXV			45,500	34,600	14.50	12.00	1,500	5753053
	CA*F4961*6D*+MBVC2000** -1A*			44,500	34,000	15.50	12.50	1,475	5987017
	CA*F4961*6D*+MBVC2000** -1A*+TXV			44,500	34,000	16.00	13.00	1,475	5983734
	CA*F4961*6D*+TXV	G*VM961005DXB*		44,500	34,000	16.00	13.00	1,400	5983776
	CA*F4961*6D*+TXV	G*VM960805DXB*		44,500	34,000	16.00	13.00	1,450	5983773
	CA*F4961*6D*+TXV	A*VC950905CXB*		44,500	34,000	15.50	12.50	1,440	5984083
	CA*F4961*6D*+TXV	G*VC81005C*B*		44,500	34,000	15.50	12.50	1,520	5983754
	CA*F4961*6D*+TXV	A*EH800805D*A*		44,500	34,000	16.00	13.00	1,300	6945219
CA*F4961*6D*+TXV	G*VC961205DNA*		45,000	34,200	16.00	13.00	1,450	7355227	
CA*F4961*6D*+TXV	A*VM961005DXB*		44,500	34,000	16.00	13.00	1,400	5984098	
CA*F4961*6D*+TXV	G*EC961205DNA*		45,000	34,200	16.00	13.00	1,500	7365880	
CA*F4961*6D*+TXV	G*VM960805CXB*		44,500	34,000	15.50	12.50	1,440	5983770	
CA*F4961*6D*+TXV	A*EC961205DNA*		45,000	34,200	16.00	13.00	1,500	7366042	
CA*F4961*6D*+TXV	A*VC960804CNA*		45,000	34,200	15.50	12.50	1,520	7355542	
CA*F4961*6D*+TXV	GME950805CXA*		44,500	34,000	15.00	12.50	1,485	5983788	

See Notes on Page 85.

OUTDOOR UNIT	INDOOR UNITS		COOLING RATINGS				CFM	AHRI #
	COILS/AIR HANDLERS	FURNACES	TOTAL <sup>1</sup>	SENS. <sup>1</sup>	SEER <sup>2</sup>	EER <sup>3</sup>		
GSX16 0481F* (cont.)	CA*F4961*6D*+TXV	ADVC81005C*B*	44,500	34,000	16.00	13.00	1,405	5983785
	CA*F4961*6D*+TXV	ADVC80805C*B*	44,500	34,000	16.00	13.00	1,495	5983782
	CA*F4961*6D*+TXV	A*VC81005C*B*	44,500	34,000	15.50	12.50	1,520	5984080
	CA*F4961*6D*+TXV	A*EH800805C*A*	44,500	34,000	15.50	12.50	1,480	6945218
	CA*F4961*6D*+TXV	AMEH961005DXA*	45,000	34,200	16.00	13.00	1,400	6945222
	CA*F4961*6D*+TXV	A*VM960805CXB*	44,500	34,000	15.50	12.50	1,440	5984092
	CA*F4961*6D*+TXV	G*E80805D*A*	44,500	34,000	16.00	13.00	1,300	5753055
	CA*F4961*6D*+TXV	G*EC961004CNA*	45,000	34,200	15.50	12.80	1,500	7365875
	CA*F4961*6D*+TXV	A*VC80805C*B*	44,500	34,000	15.50	12.50	1,385	5984007
	CA*F4961*6D*+TXV	A*VC950915DXB*	44,500	34,000	15.50	12.50	1,425	5984087
	CA*F4961*6D*+TXV	G*VC950905DXB*	44,500	34,000	16.00	13.00	1,450	5983761
	CA*F4961*6D*+TXV	G*VM971205DNA*	45,000	34,200	16.00	13.00	1,450	7355374
	CA*F4961*6D*+TXV	G*VC951155DXB*	44,500	34,000	16.00	13.00	1,400	5983767
	CA*F4961*6D*+TXV	G*VM970804CNA*	45,000	34,200	15.50	12.50	1,520	7355362
	CA*F4961*6D*+TXV	G*VC960804CNA*	45,000	34,200	15.50	12.50	1,520	7355215
	CA*F4961*6D*+TXV	A*VC961005CNA*	45,000	34,200	15.50	12.50	1,450	7355548
	CA*F4961*6D*+TXV	G*VM971005CNA*	45,000	34,200	15.50	12.50	1,450	7355368
	CA*F4961*6D*+TXV	A*VC951155DXB*	44,500	34,000	16.00	13.00	1,400	5984089
	CA*F4961*6D*+TXV	AMEH960805CXA*	44,500	34,000	15.00	12.50	1,485	6945221
	CA*F4961*6D*+TXV	A*VC961205DNA*	45,000	34,200	16.00	13.00	1,450	7355554
	CA*F4961*6D*+TXV	A*VM970804CNA*	45,000	34,200	15.50	12.50	1,520	7355689
	CA*F4961*6D*+TXV	G*VM961155DXB*	44,500	34,000	16.00	13.00	1,400	5983779
	CA*F4961*6D*+TXV	A*EH801005C*A*	44,500	34,000	15.50	12.50	1,390	6945220
	CA*F4961*6D*+TXV	G*VC950915DXB*	44,500	34,000	15.50	12.50	1,425	5983765
	CA*F4961*6D*+TXV	A*VM960805DXB*	44,500	34,000	16.00	13.00	1,450	5984095
	CA*F4961*6D*+TXV	G*VC961005CNA*	45,000	34,200	15.50	12.50	1,450	7355221
	CA*F4961*6D*+TXV	A*VM971005CNA*	45,000	34,200	15.50	12.50	1,450	7355695
	CA*F4961*6D*+TXV	A*VC950905DXB*	44,500	34,000	16.00	13.00	1,450	5984010
	CA*F4961*6D*+TXV	A*EC961004CNA*	45,000	34,200	15.50	12.80	1,500	7366037
	CA*F4961*6D*+TXV	G*E81005C*B*	44,500	34,000	15.50	12.50	1,390	5983747
	CA*F4961*6D*+TXV	G*VC950905CXB*	44,500	34,000	15.50	12.50	1,440	5983757
	CA*F4961*6D*+TXV	A*VM961155DXB*	44,500	34,000	16.00	13.00	1,400	5984101
	CA*F4961*6D*+TXV	G*VC80805C*B*	44,500	34,000	15.50	12.50	1,385	5983751
	CA*F4961*6D*+TXV	GME951005DXA*	45,000	34,200	16.00	13.00	1,400	5753057
	CA*F4961*6D*+TXV	G*E80805C*B*	44,500	34,000	15.50	12.50	1,480	5983741
	CA*F4961*6D*+TXV	A*VM971205DNA*	45,000	34,200	16.00	13.00	1,450	7355701
	CAPT4961*4A*	G*VC950714CXB*	44,500	34,000	14.50	12.00	1,530	6945571
	CAPT4961*4A*	G*VM960604CXB*	44,000	33,600	15.00	12.50	1,490	6945621
	CAPT4961*4A*	A*VC950714CXB*	44,500	34,000	14.50	12.00	1,530	6945570
	CAPT4961*4A*	G*VC950905DXB*	44,500	34,000	15.00	12.50	1,450	6945587
	CAPT4961*4A*	A*EC961004CNA*	44,500	34,000	15.00	12.50	1,500	7366038
	CAPT4961*4A*	G*VC81005C*B*	44,000	33,600	15.00	12.50	1,520	6945549
	CAPT4961*4A*	A*VM960805DXB*	44,500	34,000	15.00	12.50	1,450	6945641
	CAPT4961*4A*	G*VC950704CXB*	44,000	33,600	15.00	12.50	1,485	6945559
	CAPT4961*4A*	G*VC80604B*B*	44,500	34,000	14.50	12.00	1,545	6945539
	CAPT4961*4A*	A*VM960805CXB*	44,500	34,000	14.50	12.00	1,440	6945630
	CAPT4961*4A*	G*VC80805C*B*	44,000	33,600	15.00	12.50	1,385	6945544
CAPT4961*4A*	G*VM971005CNA*	45,000	34,200	15.00	12.00	1,450	7355370	
CAPT4961*4A*	G*E81005C*B*	44,500	34,000	15.00	12.50	1,390	6945532	
CAPT4961*4A*	G*VC950915DXB*	44,500	34,000	15.00	12.50	1,425	6945597	
CAPT4961*4A*	A*VC950915DXB*	44,500	34,000	15.00	12.50	1,425	6945596	
CAPT4961*4A*	A*VM960604CXB*	44,000	33,600	15.00	12.50	1,490	6945620	
CAPT4961*4A*	GME950805CXA*	44,500	34,000	14.50	12.00	1,485	6945676	
CAPT4961*4A*	A*VM971205DNA*	45,000	34,200	15.50	12.50	1,450	7355703	

See Notes on Page 85.

OUTDOOR UNIT	INDOOR UNITS		COOLING RATINGS				CFM	AHRI #	
	COILS/AIR HANDLERS	FURNACES	TOTAL <sup>1</sup>	SENS. <sup>1</sup>	SEER <sup>2</sup>	EER <sup>3</sup>			
GSX16 0481F* (cont.)	CAPT4961*4A*	G*VM971205DNA*	45,000	34,200	15.50	12.50	1,450	7355376	
	CAPT4961*4A*	G*VM960805CXB*	44,500	34,000	14.50	12.00	1,440	6945631	
	CAPT4961*4A*	ADV80805C*B*	44,000	33,600	15.00	12.50	1,495	6945667	
	CAPT4961*4A*	A*VC961005CNA*	45,000	34,200	15.00	12.00	1,450	7355550	
	CAPT4961*4A*	G*VC951155DXB*	44,500	34,000	15.00	12.50	1,400	6945607	
	CAPT4961*4A*	A*VM970804CNA*	45,000	34,200	15.00	12.00	1,520	7355691	
	CAPT4961*4A*	G*VM961005DXB*	44,500	34,000	15.00	12.50	1,400	6945652	
	CAPT4961*4A*	GME951005DXA*	44,000	33,600	15.00	12.50	1,400	6945682	
	CAPT4961*4A*	A*EC961205DNA*	44,000	33,600	15.00	12.50	1,500	7366043	
	CAPT4961*4A*	G*VM970804CNA*	45,000	34,200	15.00	12.00	1,520	7355364	
	CAPT4961*4A*	G*VC960804CNA*	45,000	34,200	15.00	12.00	1,520	7355217	
	CAPT4961*4A*	G*VC950905CXB*	44,500	34,000	14.50	12.00	1,440	6945577	
	CAPT4961*4A*	G*VM961155DXB*	44,500	34,000	15.00	12.50	1,400	6945661	
	CAPT4961*4A*	A*VC950704CXB*	44,000	33,600	15.00	12.50	1,485	6945558	
	CAPT4961*4A*	G*EC961004CNA*	44,500	34,000	15.00	12.50	1,500	7365876	
	CAPT4961*4A*	A*VM961005DXB*	44,500	34,000	15.00	12.50	1,400	6945651	
	CAPT4961*4A*	A*VM971005CNA*	45,000	34,200	15.00	12.00	1,450	7355697	
	CAPT4961*4A*	G*VM960805DXB*	44,500	34,000	15.00	12.50	1,450	6945642	
	CAPT4961*4A*	A*VC951155DXB*	44,500	34,000	15.00	12.50	1,400	6945606	
	CAPT4961*4A*	ADV80805C*B*	44,500	34,000	15.00	12.50	1,405	6945671	
	CAPT4961*4A*	G*EC961205DNA*	44,000	33,600	15.00	12.50	1,500	7365881	
	CAPT4961*4A*	G*VC961005CNA*	45,000	34,200	15.00	12.00	1,450	7355223	
	CAPT4961*4A*	A*VM961155DXB*	44,500	34,000	15.00	12.50	1,400	6945660	
	CAPT4961*4A*	G*E80805C*B*	44,000	33,600	15.00	12.50	1,480	6945525	
	CAPT4961*4A*	A*VC961205DNA*	45,000	34,200	15.50	12.50	1,450	7355556	
	CAPT4961*4A*	A*VC950905CXB*	44,500	34,000	14.50	12.00	1,440	6945576	
	CAPT4961*4A*	A*VC950905DXB*	44,500	34,000	15.00	12.50	1,450	6945586	
	CAPT4961*4A*	A*VC960804CNA*	45,000	34,200	15.00	12.00	1,520	7355544	
	CAPT4961*4A*	A*VC80604B*B*	44,500	34,000	14.50	12.00	1,545	6945538	
	CAPT4961*4A*	G*VC961205DNA*	45,000	34,200	15.50	12.50	1,450	7355229	
	CAPT4961*4A*+EEP			44,500	34,000	14.50	12.00	1,500	5983735
	CAPT4961*4A*+MBVC1600** -1A*			44,500	34,000	15.50	12.50	1,500	5983736
	CAPT4961*4A*+MBVC2000** -1A*			44,500	34,000	16.00	13.00	1,475	5983737
	CHPF4860D6D*	A*EC961205DNA*	44,500	34,000	15.00	12.50	1,500	7366044	
	CHPF4860D6D*	A*VM961155DXB*	44,500	34,000	15.00	12.50	1,395	5987391	
	CHPF4860D6D*	A*VM960805CXB*	44,500	34,000	15.00	12.50	1,440	5987383	
	CHPF4860D6D*	G*VC961005CNA*	45,000	34,200	15.00	12.50	1,450	7356725	
	CHPF4860D6D*	A*VC80805C*B*	44,500	34,000	15.00	12.50	1,385	5987363	
	CHPF4860D6D*	A*VM961005DXB*	44,500	34,000	15.00	12.50	1,395	5987388	
	CHPF4860D6D*	GME951005DXA*	44,500	34,000	15.50	12.50	1,470	5987069	
	CHPF4860D6D*	G*EC961205DNA*	44,500	34,000	15.00	12.50	1,500	7365882	
	CHPF4860D6D*	G*VC950905DXB*	44,500	34,000	15.00	12.50	1,420	5987045	
CHPF4860D6D*	G*VM971005CNA*	45,000	34,200	15.00	12.50	1,450	7356734		
CHPF4860D6D*	A*VC961205DNA*	45,000	34,200	15.50	12.50	1,450	7356747		
CHPF4860D6D*	AMEH960805CXA*	44,500	34,000	14.50	12.00	1,485	6945226		
CHPF4860D6D*	G*VC961205DNA*	45,000	34,200	15.50	12.50	1,450	7356726		
CHPF4860D6D*	G*VM961005DXB*	44,500	34,000	15.00	12.50	1,395	5987060		
CHPF4860D6D*	AMEH961005DXA*	44,500	34,000	15.50	12.50	1,470	6945227		
CHPF4860D6D*	G*VC950905CXB*	44,500	34,000	15.00	12.50	1,440	5987041		
CHPF4860D6D*	G*VM971205DNA*	45,000	34,200	15.50	12.50	1,450	7356735		
CHPF4860D6D*	A*EH801005C*A*	44,500	34,000	15.00	12.50	1,390	6945225		
CHPF4860D6D*	G*VC81005C*B*	44,500	34,000	15.00	12.50	1,520	5987038		
CHPF4860D6D*	A*VM971205DNA*	45,000	34,200	15.50	12.50	1,450	7356758		
CHPF4860D6D*	G*E80805C*B*	44,500	34,000	14.50	12.00	1,480	5987023		

See Notes on Page 85.

OUTDOOR UNIT	INDOOR UNITS		COOLING RATINGS				CFM	AHRI #	
	COILS/AIR HANDLERS	FURNACES	TOTAL <sup>1</sup>	SENS. <sup>1</sup>	SEER <sup>2</sup>	EER <sup>3</sup>			
GSX16 0481F* (cont.)	CHPF4860D6D*	G*VC960804CNA*	45,000	34,200	15.00	12.50	1,520	7356724	
	CHPF4860D6D*	A*EH800805C*A*	44,500	34,000	14.50	12.00	1,480	6945223	
	CHPF4860D6D*	G*VM970804CNA*	45,000	34,200	15.00	12.50	1,520	7356733	
	CHPF4860D6D*	A*VM960805DXB*	44,500	34,000	15.00	12.50	1,410	5987386	
	CHPF4860D6D*	A*VC950905DXB*	44,500	34,000	15.00	12.50	1,420	5987373	
	CHPF4860D6D*	A*VC961005CNA*	45,000	34,200	15.00	12.50	1,450	7356746	
	CHPF4860D6D*	A*VM971005CNA*	45,000	34,200	15.00	12.50	1,450	7356757	
	CHPF4860D6D*	G*VM960805DXB*	44,500	34,000	15.00	12.50	1,410	5987058	
	CHPF4860D6D*	GME950805CXA*	44,500	34,000	14.50	12.00	1,485	5987066	
	CHPF4860D6D*	G*VM961155DXB*	44,500	34,000	15.00	12.50	1,395	5987063	
	CHPF4860D6D*	G*VM960805CXB*	44,500	34,000	15.00	12.50	1,440	5987055	
	CHPF4860D6D*	G*VC80805C*B*	44,500	34,000	15.00	12.50	1,385	5987035	
	CHPF4860D6D*	A*VM970804CNA*	45,000	34,200	15.00	12.50	1,520	7356756	
	CHPF4860D6D*	A*EC961004CNA*	44,500	34,000	15.00	12.50	1,500	7366039	
	CHPF4860D6D*	G*EC961004CNA*	44,500	34,000	15.00	12.50	1,500	7365877	
	CHPF4860D6D*	A*VC951155DXB*	44,500	34,000	15.00	12.50	1,395	5987379	
	CHPF4860D6D*	G*VC951155DXB*	44,500	34,000	15.00	12.50	1,395	5987051	
	CHPF4860D6D*	G*E80805D*A*	44,500	34,000	15.50	12.50	1,490	5987027	
	CHPF4860D6D*	A*VC81005C*B*	44,500	34,000	15.00	12.50	1,520	5987366	
	CHPF4860D6D*	A*VC960804CNA*	45,000	34,200	15.00	12.50	1,520	7356745	
	CHPF4860D6D*	A*VC950905CXB*	44,500	34,000	15.00	12.50	1,440	5987369	
	CHPF4860D6D*	G*E81005C*B*	44,500	34,000	15.00	12.50	1,390	5987031	
	CHPF4860D6D*	A*EH800805D*A*	44,500	34,000	15.50	12.50	1,490	6945224	
	CHPF4860D6D*+EEP			44,500	34,000	14.00	12.00	1,500	5987018
	CHPF4860D6D*+EEP+TXV			45,500	34,600	14.50	12.00	1,500	5753054
	CHPF4860D6D*+MBVC2000** -1A*			44,500	34,000	15.50	12.50	1,500	5987019
	CHPF4860D6D*+MBVC2000** -1A*+TXV			44,500	34,000	16.00	13.00	1,500	5983738
	CHPF4860D6D*+TXV	G*VC961205DNA*		45,000	34,200	16.00	13.00	1,450	7355230
	CHPF4860D6D*+TXV	A*EC961205DNA*		45,000	34,200	16.00	13.00	1,500	7366045
	CHPF4860D6D*+TXV	G*VM971205DNA*		45,000	34,200	16.00	13.00	1,450	7355377
	CHPF4860D6D*+TXV	G*EC961004CNA*		45,000	34,200	15.50	12.80	1,500	7365878
	CHPF4860D6D*+TXV	G*EC961205DNA*		45,000	34,200	16.00	13.00	1,500	7365883
	CHPF4860D6D*+TXV	A*VC960804CNA*		45,000	34,200	15.50	12.50	1,520	7355545
	CHPF4860D6D*+TXV	A*VC961005CNA*		45,000	34,200	15.50	12.50	1,450	7355551
	CHPF4860D6D*+TXV	A*VM961155DXB*		44,500	34,000	16.00	13.00	1,400	5984102
	CHPF4860D6D*+TXV	G*VM961155DXB*		44,500	34,000	16.00	13.00	1,400	5983780
	CHPF4860D6D*+TXV	A*VC80805C*B*		44,500	34,000	15.50	12.50	1,385	5984008
	CHPF4860D6D*+TXV	G*E80805C*B*		44,500	34,000	15.00	12.50	1,480	5983742
	CHPF4860D6D*+TXV	A*EC961004CNA*		45,000	34,200	15.50	12.80	1,500	7366040
	CHPF4860D6D*+TXV	A*EH800805D*A*		44,500	34,000	16.00	13.00	1,300	6945229
	CHPF4860D6D*+TXV	G*VM970804CNA*		45,000	34,200	15.50	12.50	1,520	7355365
	CHPF4860D6D*+TXV	G*VC81005C*B*		44,500	34,000	15.50	12.50	1,520	5983755
	CHPF4860D6D*+TXV	G*VC951155DXB*		44,500	34,000	16.00	13.00	1,400	5983768
	CHPF4860D6D*+TXV	G*E80805D*A*		44,500	34,000	16.00	13.00	1,300	5753056
	CHPF4860D6D*+TXV	G*VC80805C*B*		44,500	34,000	15.50	12.50	1,385	5983752
CHPF4860D6D*+TXV	G*VM960805DXB*		44,500	34,000	16.00	13.00	1,450	5983774	
CHPF4860D6D*+TXV	G*VM971005CNA*		45,000	34,200	15.50	12.50	1,450	7355371	
CHPF4860D6D*+TXV	G*VC950905DXB*		44,500	34,000	16.00	13.00	1,450	5983762	
CHPF4860D6D*+TXV	A*VC950905DXB*		44,500	34,000	16.00	13.00	1,450	5984011	
CHPF4860D6D*+TXV	A*VM960805CXB*		44,500	34,000	15.50	12.50	1,440	5984093	
CHPF4860D6D*+TXV	G*VM960805CXB*		44,500	34,000	15.50	12.50	1,440	5983771	
CHPF4860D6D*+TXV	A*EH801005C*A*		44,500	34,000	15.50	12.50	1,390	6945230	
CHPF4860D6D*+TXV	A*VM961005DXB*		44,500	34,000	16.00	13.00	1,400	5984099	
CHPF4860D6D*+TXV	A*VC951155DXB*		44,500	34,000	16.00	13.00	1,400	5984090	

See Notes on Page 85.

OUTDOOR UNIT	INDOOR UNITS		COOLING RATINGS				CFM	AHRI #
	COILS/AIR HANDLERS	FURNACES	TOTAL <sup>1</sup>	SENS. <sup>1</sup>	SEER <sup>2</sup>	EER <sup>3</sup>		
GSX16 0481F* (cont.)	CHPF4860D6D*+TXV	A*VM971205DNA*	45,000	34,200	16.00	13.00	1,450	7355704
	CHPF4860D6D*+TXV	A*VM970804CNA*	45,000	34,200	15.50	12.50	1,520	7355692
	CHPF4860D6D*+TXV	G*VC960804CNA*	45,000	34,200	15.50	12.50	1,520	7355218
	CHPF4860D6D*+TXV	G*VC961005CNA*	45,000	34,200	15.50	12.50	1,450	7355224
	CHPF4860D6D*+TXV	G*VM961005DXB*	44,500	34,000	16.00	13.00	1,400	5983777
	CHPF4860D6D*+TXV	GME950805CXA*	44,500	34,000	15.00	12.50	1,485	5983789
	CHPF4860D6D*+TXV	A*EH800805C*A*	44,500	34,000	15.00	12.50	1,480	6945228
	CHPF4860D6D*+TXV	A*VC961205DNA*	45,000	34,200	16.00	13.00	1,450	7355557
	CHPF4860D6D*+TXV	GME951005DXA*	45,000	34,200	16.00	13.00	1,400	5753058
	CHPF4860D6D*+TXV	A*VM971005CNA*	45,000	34,200	15.50	12.50	1,450	7355698
	CHPF4860D6D*+TXV	A*VM960805DXB*	44,500	34,000	16.00	13.00	1,450	5984096
	CHPF4860D6D*+TXV	A*VC81005C*B*	44,500	34,000	15.50	12.50	1,520	5984081
	CHPF4860D6D*+TXV	A*VC950905CXB*	44,500	34,000	15.50	12.50	1,440	5984084
	CHPF4860D6D*+TXV	AMEH960805CXA*	44,500	34,000	15.00	12.50	1,485	6945231
	CHPF4860D6D*+TXV	AMEH961005DXA*	45,000	34,200	16.00	13.00	1,400	6945232
	CHPF4860D6D*+TXV	G*E81005C*B*	44,500	34,000	15.50	12.50	1,390	5983748
	CHPF4860D6D*+TXV	G*VC950905CXB*	44,500	34,000	15.50	12.50	1,440	5983758
	CSCF4860N6D*	G*VC950905CXB*	44,000	33,600	14.50	12.00	1,440	5987042
	CSCF4860N6D*	G*VC951155DXB*	44,000	33,600	14.50	12.00	1,395	5987052
	CSCF4860N6D*	G*VC960804CNA*	45,000	34,200	14.50	12.00	1,520	7355220
	CSCF4860N6D*	G*VM971205DNA*	44,500	34,000	14.50	12.00	1,450	7355379
	CSCF4860N6D*	G*E80805C*B*	44,000	33,600	14.50	12.00	1,480	5987024
	CSCF4860N6D*	A*VC951155DXB*	44,000	33,600	14.50	12.00	1,395	5987380
	CSCF4860N6D*	A*VC960804CNA*	45,000	34,200	14.50	12.00	1,520	7355547
	CSCF4860N6D*	G*VC961205DNA*	44,500	34,000	14.50	12.00	1,450	7355232
	CSCF4860N6D*	A*VM971005CNA*	45,000	34,200	14.50	12.00	1,450	7355700
	CSCF4860N6D*	A*VM971205DNA*	44,500	34,000	14.50	12.00	1,450	7355706
	CSCF4860N6D*	A*EH801005C*A*	44,000	33,600	14.50	12.00	1,390	6945235
	CSCF4860N6D*	A*VM970804CNA*	45,000	34,200	14.50	12.00	1,520	7355694
	CSCF4860N6D*	G*VC961005CNA*	45,000	34,200	14.50	12.00	1,450	7355226
	CSCF4860N6D*	G*VC950905DXB*	44,000	33,600	14.50	12.00	1,420	5987046
	CSCF4860N6D*	G*VM970804CNA*	45,000	34,200	14.50	12.00	1,520	7355367
	CSCF4860N6D*	A*VC961205DNA*	44,500	34,000	14.50	12.00	1,450	7355559
	CSCF4860N6D*	G*VM971005CNA*	45,000	34,200	14.50	12.00	1,450	7355373
	CSCF4860N6D*	A*VC950905DXB*	44,000	33,600	14.50	12.00	1,420	5987374
	CSCF4860N6D*	A*VC950905CXB*	44,000	33,600	14.50	12.00	1,440	5987370
	CSCF4860N6D*	A*VC961005CNA*	45,000	34,200	14.50	12.00	1,450	7355553
	CSCF4860N6D*	A*EH800805C*A*	44,000	33,600	14.50	12.00	1,480	6945233
	CSCF4860N6D*	A*EH800805D*A*	44,000	33,600	15.00	12.50	1,490	6945234
	CSCF4860N6D*	G*E80805D*A*	44,000	33,600	15.00	12.50	1,490	5987028
	CSCF4860N6D*	G*E81005C*B*	44,000	33,600	14.50	12.00	1,390	5987032
	CSCF4860N6D*+EEP		44,000	33,600	14.00	12.00	1,500	5987020
CSCF4860N6D*+EEP+TXV		44,000	33,600	14.50	12.00	1,500	5983739	
CSCF4860N6D*+TXV	G*VC950905CXB*	44,500	34,000	15.00	12.50	1,440	5983759	
CSCF4860N6D*+TXV	G*VC960804CNA*	45,000	34,200	15.00	12.50	1,520	7355219	
CSCF4860N6D*+TXV	A*VM961005DXB*	44,500	34,000	16.00	13.00	1,400	6521093	
CSCF4860N6D*+TXV	G*VM970804CNA*	45,000	34,200	15.00	12.50	1,520	7355366	
CSCF4860N6D*+TXV	A*VC950905CXB*	44,500	34,000	15.00	12.50	1,440	5984085	
CSCF4860N6D*+TXV	G*VM971005CNA*	45,000	34,200	15.00	12.50	1,450	7355372	
CSCF4860N6D*+TXV	A*VC950905DXB*	44,500	34,000	16.00	13.00	1,450	5984012	
CSCF4860N6D*+TXV	A*VM971005CNA*	45,000	34,200	15.00	12.50	1,450	7355699	
CSCF4860N6D*+TXV	A*VC961005CNA*	45,000	34,200	15.00	12.50	1,450	7355552	
CSCF4860N6D*+TXV	A*VM971205DNA*	44,500	34,000	15.00	12.50	1,450	7355705	
CSCF4860N6D*+TXV	G*VM971205DNA*	44,500	34,000	15.00	12.50	1,450	7355378	

See Notes on Page 85.

OUTDOOR UNIT	INDOOR UNITS		COOLING RATINGS				CFM	AHRI #
	COILS/AIR HANDLERS	FURNACES	TOTAL <sup>1</sup>	SENS. <sup>1</sup>	SEER <sup>2</sup>	EER <sup>3</sup>		
GSX16 0481F* (cont.)	CSCF4860N6D*+TXV	A*VC960804CNA*	45,000	34,200	15.00	12.50	1,520	7355546
	CSCF4860N6D*+TXV	G*VM961005DXB*	44,500	34,000	16.00	13.00	1,400	6521092
	CSCF4860N6D*+TXV	A*EH800805C*A*	44,500	34,000	15.00	12.50	1,480	6945236
	CSCF4860N6D*+TXV	A*VM970804CNA*	45,000	34,200	15.00	12.50	1,520	7355693
	CSCF4860N6D*+TXV	A*EH800805D*A*	44,500	34,000	15.50	12.50	1,490	6945237
	CSCF4860N6D*+TXV	A*VC951155DXB*	44,500	34,000	15.00	12.50	1,395	5984091
	CSCF4860N6D*+TXV	G*VC961205DNA*	44,500	34,000	15.00	12.50	1,450	7355231
	CSCF4860N6D*+TXV	G*E81005C*B*	44,500	34,000	15.00	12.50	1,390	5983749
	CSCF4860N6D*+TXV	G*E80805D*A*	44,500	34,000	15.50	12.50	1,490	5983745
	CSCF4860N6D*+TXV	G*VC950905DXB*	44,500	34,000	16.00	13.00	1,450	5983763
	CSCF4860N6D*+TXV	G*VC961005CNA*	45,000	34,200	15.00	12.50	1,450	7355225
	CSCF4860N6D*+TXV	G*VC951155DXB*	44,500	34,000	15.00	12.50	1,395	5983769
	CSCF4860N6D*+TXV	G*E80805C*B*	44,500	34,000	15.00	12.50	1,480	5983743
	CSCF4860N6D*+TXV	A*EH801005C*A*	44,500	34,000	15.00	12.50	1,390	6945238
	CSCF4860N6D*+TXV	A*VC961205DNA*	44,500	34,000	15.00	12.50	1,450	7355558
	DV48PTCC14A*		43,000	32,800	14.00	12.00	1,445	7040833
GSX16 0601F*	ARPT60D14A*		52,500	40,500	14.00	12.00	1,455	5983791
	ASPT60D14A*		54,000	41,500	16.00	13.00	1,600	5756178
	ASUF49C14A*		50,000	38,500	13.50	11.50	1,525	5987070
	ASUF49C14A*+TXV		50,000	38,500	13.50	11.50	1,525	5983792
	ASUF59D14A*		52,000	40,000	14.50	12.00	1,615	5987071
	ASUF59D14A*+TXV		52,000	40,000	15.00	12.50	1,615	5983793
	AVPTC60D14A*		54,000	41,500	16.00	13.00	1,580	5924359
	CA*F4860*6D*	G*VM961005DXB*	51,500	39,500	14.50	12.00	1,550	5987106
	CA*F4860*6D*	A*VC950915DXB*	51,500	39,500	14.50	12.00	1,570	5987404
	CA*F4860*6D*	A*VM960805DXB*	51,500	39,500	14.50	12.00	1,675	5987412
	CA*F4860*6D*	A*VM960805CXB*	51,500	39,500	14.50	12.00	1,550	5987409
	CA*F4860*6D*	G*VM960805CXB*	51,500	39,500	14.50	12.00	1,550	5987100
	CA*F4860*6D*	G*VC951155DXB*	51,500	39,500	14.00	12.00	1,540	5987096
	CA*F4860*6D*	G*VC950905CXB*	51,500	39,500	14.00	12.00	1,550	5987087
	CA*F4860*6D*	A*VC950905DXB*	51,500	39,500	14.00	12.00	1,540	5987400
	CA*F4860*6D*	G*VM961155DXB*	51,500	39,500	14.50	12.00	1,550	5987109
	CA*F4860*6D*	G*VC950905DXB*	51,500	39,500	14.00	12.00	1,540	5987091
	CA*F4860*6D*	G*VM960805DXB*	51,500	39,500	14.50	12.00	1,675	5987103
	CA*F4860*6D*	A*VC950905CXB*	51,500	39,500	14.00	12.00	1,550	5987396
	CA*F4860*6D*	A*VC951155DXB*	51,500	39,500	14.00	12.00	1,540	5987405
	CA*F4860*6D*	G*VC950915DXB*	51,500	39,500	14.50	12.00	1,570	5987095
	CA*F4860*6D*	A*VM961155DXB*	51,500	39,500	14.50	12.00	1,550	5987418
	CA*F4860*6D*	A*VM961005DXB*	51,500	39,500	14.50	12.00	1,550	5987415
	CA*F4860*6D*+EEP		51,500	39,500	14.00	12.00	1,675	5987072
	CA*F4860*6D*+EEP+TXV		53,000	40,500	14.50	12.00	1,675	5753060
	CA*F4860*6D*+MBVC2000** -1A*		51,500	39,500	14.50	12.00	1,630	5987073
	CA*F4860*6D*+MBVC2000** -1A*+TXV		51,500	39,500	15.00	12.50	1,630	5983794
	CA*F4860*6D*+TXV	G*VC950905CXB*	51,500	39,500	14.50	12.00	1,550	5983810
	CA*F4860*6D*+TXV	G*VC950915DXB*	51,500	39,500	15.00	12.50	1,570	5983816
	CA*F4860*6D*+TXV	A*VC950915DXB*	51,500	39,500	15.00	12.50	1,570	5984022
	CA*F4860*6D*+TXV	A*VC950905DXB*	51,500	39,500	14.50	12.00	1,540	5984020
	CA*F4860*6D*+TXV	A*VC951155DXB*	51,500	39,500	14.50	12.00	1,540	5984023
	CA*F4860*6D*+TXV	G*VC951155DXB*	51,500	39,500	14.50	12.00	1,540	5983817
CA*F4860*6D*+TXV	G*VC950905DXB*	51,500	39,500	14.50	12.00	1,540	5983814	
CA*F4860*6D*+TXV	A*VC950905CXB*	51,500	39,500	14.50	12.00	1,550	5984016	
CA*F4961*6D*	A*VM971005CNA*	52,000	40,000	15.00	12.50	1,450	7355708	
CA*F4961*6D*	G*VC950905CXB*	52,000	40,000	14.50	12.00	1,550	5987088	
CA*F4961*6D*	AMEH961005DXA*	52,000	40,000	15.50	12.50	1,655	6945240	

See Notes on Page 85.

OUTDOOR UNIT	INDOOR UNITS		COOLING RATINGS				CFM	AHRI #	
	COILS/AIR HANDLERS	FURNACES	TOTAL <sup>1</sup>	SENS. <sup>1</sup>	SEER <sup>2</sup>	EER <sup>3</sup>			
GSX16 0601F* (cont.)	CA*F4961*6D*	G*VC951155DXB*	52,000	40,000	14.50	12.00	1,540	5987097	
	CA*F4961*6D*	A*VM961155DXB*	52,000	40,000	14.50	12.00	1,550	5987419	
	CA*F4961*6D*	A*EC961205DNA*	52,000	40,000	15.50	12.50	1,630	7366046	
	CA*F4961*6D*	G*VM971205DNA*	52,000	40,000	15.00	12.00	1,460	7355387	
	CA*F4961*6D*	A*VC961005CNA*	52,000	40,000	15.00	12.50	1,450	7355561	
	CA*F4961*6D*	A*VC81005C*B*	52,000	40,000	14.50	12.00	1,500	5987394	
	CA*F4961*6D*	GME951005DXA*	52,000	40,000	15.50	12.50	1,655	6079873	
	CA*F4961*6D*	G*VC961205DNA*	52,000	40,000	15.00	12.00	1,460	7355240	
	CA*F4961*6D*	G*VC961005CNA*	52,000	40,000	15.00	12.50	1,450	7355234	
	CA*F4961*6D*	GME950805CXA*	52,000	40,000	14.50	12.00	1,580	6079824	
	CA*F4961*6D*	G*VM960805CXB*	52,000	40,000	14.50	12.00	1,550	5987101	
	CA*F4961*6D*	G*VM961005DXB*	52,000	40,000	14.50	12.00	1,550	5987107	
	CA*F4961*6D*	A*VM960805CXB*	52,000	40,000	14.50	12.00	1,550	5987410	
	CA*F4961*6D*	G*EC961205DNA*	52,000	40,000	15.50	12.50	1,630	7365884	
	CA*F4961*6D*	G*VM961155DXB*	52,000	40,000	14.50	12.00	1,550	5987110	
	CA*F4961*6D*	A*VC950905DXB*	52,000	40,000	14.00	12.00	1,540	5987401	
	CA*F4961*6D*	A*VC950905CXB*	52,000	40,000	14.50	12.00	1,550	5987397	
	CA*F4961*6D*	G*VC950905DXB*	52,000	40,000	14.00	12.00	1,540	5987092	
	CA*F4961*6D*	A*VC80805C*B*	52,000	40,000	14.50	12.00	1,520	5987392	
	CA*F4961*6D*	G*VC80805C*B*	52,000	40,000	14.50	12.00	1,520	5987083	
	CA*F4961*6D*	A*VC951155DXB*	52,000	40,000	14.50	12.00	1,540	5987406	
	CA*F4961*6D*	A*VM971205DNA*	52,000	40,000	15.00	12.00	1,460	7355714	
	CA*F4961*6D*	A*VM960805DXB*	52,000	40,000	14.50	12.00	1,675	5987413	
	CA*F4961*6D*	A*VM961005DXB*	52,000	40,000	14.50	12.00	1,550	5987416	
	CA*F4961*6D*	AMEH960805CXA*	52,000	40,000	14.50	12.00	1,580	6945239	
	CA*F4961*6D*	A*VC961205DNA*	52,000	40,000	15.00	12.00	1,460	7355567	
	CA*F4961*6D*	G*VM960805DXB*	52,000	40,000	14.50	12.00	1,675	5987104	
	CA*F4961*6D*	G*VM971005CNA*	52,000	40,000	15.00	12.50	1,450	7355381	
	CA*F4961*6D*	G*VC81005C*B*	52,000	40,000	14.50	12.00	1,500	5987085	
	CA*F4961*6D*+EEP			52,000	40,000	14.50	12.00	1,675	5987074
	CA*F4961*6D*+EEP+TXV			54,000	41,500	15.00	12.50	1,675	5753059
	CA*F4961*6D*+MBVC2000*-1A*			52,000	40,000	15.00	12.50	1,675	5987075
	CA*F4961*6D*+MBVC2000*-1A*+TXV			52,000	40,000	15.50	12.50	1,675	5983795
	CA*F4961*6D*+TXV	A*VC950905DXB*		52,000	40,000	16.00	13.00	1,450	6107355
	CA*F4961*6D*+TXV	G*VC81005C*B*		52,000	40,000	15.00	12.50	1,500	5983807
	CA*F4961*6D*+TXV	G*E80805D*A*		53,000	40,500	16.00	13.00	1,500	5753062
	CA*F4961*6D*+TXV	G*E81005C*B*		52,000	40,000	15.00	12.50	1,690	5983803
	CA*F4961*6D*+TXV	A*VM971005CNA*		52,000	40,000	15.50	12.50	1,450	7355707
	CA*F4961*6D*+TXV	G*VC961005CNA*		52,000	40,000	15.50	12.50	1,450	7355233
	CA*F4961*6D*+TXV	A*VC950905CXB*		52,000	40,000	15.00	12.50	1,550	5984017
	CA*F4961*6D*+TXV	A*VC950915DXB*		52,000	40,000	15.20	12.50	1,570	6107356
	CA*F4961*6D*+TXV	G*VM971205DNA*		52,000	40,000	16.00	13.00	1,460	7355386
CA*F4961*6D*+TXV	A*EH801005C*A*		52,000	40,000	15.00	12.50	1,690	6945243	
CA*F4961*6D*+TXV	A*VM961005DXB*		52,000	40,000	16.00	13.00	1,450	6107358	
CA*F4961*6D*+TXV	G*VC951155DXB*		52,000	40,000	16.00	13.00	1,450	5983818	
CA*F4961*6D*+TXV	G*E80805C*B*		52,000	40,000	15.00	12.50	1,645	5983799	
CA*F4961*6D*+TXV	G*VM961155DXB*		52,000	40,000	15.50	12.50	1,450	5983825	
CA*F4961*6D*+TXV	ADVC81005C*B*		52,000	40,000	15.00	12.50	1,620	5983829	
CA*F4961*6D*+TXV	A*VC961005CNA*		52,000	40,000	15.50	12.50	1,450	7355560	
CA*F4961*6D*+TXV	A*EC961205DNA*		52,000	40,000	16.00	13.00	1,630	7366047	
CA*F4961*6D*+TXV	A*VC80805C*B*		52,000	40,000	15.20	12.50	1,520	6107354	
CA*F4961*6D*+TXV	A*VC81005C*B*		52,000	40,000	15.00	12.50	1,500	5984013	
CA*F4961*6D*+TXV	G*VC950905CXB*		52,000	40,000	15.00	12.50	1,550	5983811	
CA*F4961*6D*+TXV	AMEH961005DXA*		53,000	40,500	16.00	13.00	1,500	6945245	

See Notes on Page 85.

OUTDOOR UNIT	INDOOR UNITS		COOLING RATINGS				CFM	AHRI #
	COILS/AIR HANDLERS	FURNACES	TOTAL <sup>1</sup>	SENS. <sup>1</sup>	SEER <sup>2</sup>	EER <sup>3</sup>		
GSX16 0601F* (cont.)	CA*F4961*6D*+TXV	G*VC950905DXB*	52,000	40,000	16.00	13.00	1,450	6107342
	CA*F4961*6D*+TXV	G*VM971005CNA*	52,000	40,000	15.50	12.50	1,450	7355380
	CA*F4961*6D*+TXV	G*VC961205DNA*	52,000	40,000	16.00	13.00	1,460	7355239
	CA*F4961*6D*+TXV	A*VM960805CXB*	52,000	40,000	15.20	12.50	1,550	6107357
	CA*F4961*6D*+TXV	A*VM960805DXB*	52,000	40,000	15.00	12.50	1,675	5984104
	CA*F4961*6D*+TXV	GME951005DXA*	53,000	40,500	16.00	13.00	1,500	5753064
	CA*F4961*6D*+TXV	GME950805CXA*	52,000	40,000	15.00	12.50	1,580	5983831
	CA*F4961*6D*+TXV	A*VC961205DNA*	52,000	40,000	16.00	13.00	1,460	7355566
	CA*F4961*6D*+TXV	ADVC80805C*B*	52,000	40,000	15.00	12.50	1,585	5983827
	CA*F4961*6D*+TXV	A*EH800805D*A*	53,000	40,500	16.00	13.00	1,500	6945242
	CA*F4961*6D*+TXV	G*VM961005DXB*	52,000	40,000	16.00	13.00	1,450	6107345
	CA*F4961*6D*+TXV	G*VM960805CXB*	52,000	40,000	15.20	12.50	1,550	6107344
	CA*F4961*6D*+TXV	A*VM961155DXB*	52,000	40,000	15.50	12.50	1,450	5984029
	CA*F4961*6D*+TXV	AMEH960805CXA*	52,000	40,000	15.00	12.50	1,580	6945244
	CA*F4961*6D*+TXV	A*VC951155DXB*	52,000	40,000	16.00	13.00	1,450	5984024
	CA*F4961*6D*+TXV	G*VC950915DXB*	52,000	40,000	15.20	12.50	1,570	6107343
	CA*F4961*6D*+TXV	A*EH800805C*A*	52,000	40,000	15.00	12.50	1,645	6945241
	CA*F4961*6D*+TXV	G*VC80805C*B*	52,000	40,000	15.20	12.50	1,520	6107341
	CA*F4961*6D*+TXV	A*VM971205DNA*	52,000	40,000	16.00	13.00	1,460	7355713
	CA*F4961*6D*+TXV	G*VM960805DXB*	52,000	40,000	15.00	12.50	1,675	5983822
	CA*F4961*6D*+TXV	G*EC961205DNA*	52,000	40,000	16.00	13.00	1,630	7365885
	CAPT4961*4A*	A*VC950714CXB*	52,000	40,000	14.50	12.00	1,685	6945572
	CAPT4961*4A*	G*VC961005CNA*	52,000	40,000	15.50	12.50	1,450	7355235
	CAPT4961*4A*	G*VC80805C*B*	52,000	40,000	15.00	12.50	1,520	5983806
	CAPT4961*4A*	G*VM960604CXB*	52,000	40,000	14.50	12.00	1,665	6945623
	CAPT4961*4A*	A*VC951155DXB*	52,000	40,000	15.00	12.50	1,450	6945608
	CAPT4961*4A*	A*VM960604CXB*	52,000	40,000	14.50	12.00	1,665	6945622
	CAPT4961*4A*	GME950805CXA*	52,000	40,000	14.50	12.00	1,580	6945677
	CAPT4961*4A*	G*VC950714CXB*	52,000	40,000	14.50	12.00	1,685	6945573
	CAPT4961*4A*	ADVC81005C*B*	52,000	40,000	15.00	12.50	1,620	5983830
	CAPT4961*4A*	G*E80805C*B*	52,000	40,000	15.00	12.50	1,645	6945526
	CAPT4961*4A*	A*VC950704CXB*	52,000	40,000	14.50	12.00	1,650	6945560
	CAPT4961*4A*	G*VC950905DXB*	52,000	40,000	15.00	12.50	1,450	6945589
	CAPT4961*4A*	A*VC961205DNA*	52,000	40,000	15.00	12.50	1,460	7355568
	CAPT4961*4A*	A*VM961005DXB*	52,000	40,000	14.50	12.00	1,450	6945653
	CAPT4961*4A*	G*VC950704CXB*	52,000	40,000	14.50	12.00	1,650	6945561
	CAPT4961*4A*	G*VM961005DXB*	52,000	40,000	14.50	12.00	1,450	6945654
	CAPT4961*4A*	A*VC81005C*B*	52,000	40,000	15.00	12.50	1,500	5984014
	CAPT4961*4A*	A*VM960805DXB*	52,000	40,000	15.00	12.50	1,675	6945643
	CAPT4961*4A*	A*VC961005CNA*	52,000	40,000	15.50	12.50	1,450	7355562
	CAPT4961*4A*	G*VM961155DXB*	52,000	40,000	14.50	12.00	1,450	6945663
	CAPT4961*4A*	A*VM961155DXB*	52,000	40,000	14.50	12.00	1,450	6945662
CAPT4961*4A*	A*VM971005CNA*	52,000	40,000	15.50	12.50	1,450	7355709	
CAPT4961*4A*	G*E80805D*A*	52,000	40,000	15.00	12.50	1,500	6945528	
CAPT4961*4A*	G*EC961205DNA*	52,000	40,000	15.00	12.50	1,630	7365886	
CAPT4961*4A*	G*VC81005C*B*	52,000	40,000	15.00	12.50	1,500	5983808	
CAPT4961*4A*	G*VC950915DXB*	52,000	40,000	15.00	12.50	1,570	6945599	
CAPT4961*4A*	A*EC961205DNA*	52,000	40,000	15.00	12.50	1,630	7366048	
CAPT4961*4A*	A*VC80805C*B*	52,000	40,000	15.00	12.50	1,520	5984103	
CAPT4961*4A*	A*VC950915DXB*	52,000	40,000	15.00	12.50	1,570	6945598	
CAPT4961*4A*	A*VC950905CXB*	52,000	40,000	14.50	12.50	1,550	6945578	
CAPT4961*4A*	ADVC80805C*B*	52,000	40,000	15.00	12.50	1,585	5983828	
CAPT4961*4A*	G*VC950905CXB*	52,000	40,000	14.50	12.50	1,550	6945579	
CAPT4961*4A*	G*VM960805CXB*	52,000	40,000	14.50	12.50	1,550	6945633	

See Notes on Page 85.

OUTDOOR UNIT	INDOOR UNITS		COOLING RATINGS				CFM	AHRI #
	COILS/AIR HANDLERS	FURNACES	TOTAL <sup>1</sup>	SENS. <sup>1</sup>	SEER <sup>2</sup>	EER <sup>3</sup>		
GSX16 0601F* (cont.)	CAPT4961*4A*	A*VM971205DNA*	52,000	40,000	15.00	12.50	1,460	7355715
	CAPT4961*4A*	G*VM971005CNA*	52,000	40,000	15.50	12.50	1,450	7355382
	CAPT4961*4A*	G*VM971205DNA*	52,000	40,000	15.00	12.50	1,460	7355388
	CAPT4961*4A*	A*VM960805CXB*	52,000	40,000	14.50	12.50	1,550	6945632
	CAPT4961*4A*	G*VM960805DXB*	52,000	40,000	15.00	12.50	1,675	6945644
	CAPT4961*4A*	G*E81005C*B*	52,000	40,000	15.00	12.50	1,690	6945533
	CAPT4961*4A*	G*VC961205DNA*	52,000	40,000	15.00	12.50	1,460	7355241
	CAPT4961*4A*	GME951005DXA*	52,000	40,000	15.00	12.50	1,500	6945683
	CAPT4961*4A*	A*VC950905DXB*	52,000	40,000	15.00	12.50	1,450	6945588
	CAPT4961*4A*	G*VC951155DXB*	52,000	40,000	15.00	12.50	1,450	6945609
	CAPT4961*4A*+EEP		52,000	40,000	15.00	12.50	1,675	5983796
	CAPT4961*4A*+MBVC1600**,-1A*		52,000	40,000	15.00	12.50	1,560	6945519
	CHPF4860D6D*	A*VM971205DNA*	52,000	40,000	15.00	12.00	1,460	7356760
	CHPF4860D6D*	G*E81005C*B*	52,000	40,000	14.50	12.00	1,690	6079825
	CHPF4860D6D*	G*VC951155DXB*	52,000	40,000	14.50	12.00	1,540	5987098
	CHPF4860D6D*	A*VC80805C*B*	52,000	40,000	14.50	12.00	1,520	5987393
	CHPF4860D6D*	G*VC950905CXB*	52,000	40,000	14.50	12.00	1,550	5987089
	CHPF4860D6D*	GME950805CXA*	52,000	40,000	14.50	12.00	1,580	6079875
	CHPF4860D6D*	AMEH961005DXA*	52,000	40,000	15.50	12.50	1,655	6945249
	CHPF4860D6D*	G*VC81005C*B*	52,000	40,000	14.50	12.00	1,500	5987086
	CHPF4860D6D*	A*EH801005C*A*	52,000	40,000	14.50	12.00	1,690	6945247
	CHPF4860D6D*	G*VM971005CNA*	51,500	39,500	15.00	12.50	1,450	7356736
	CHPF4860D6D*	G*VM960805CXB*	52,000	40,000	14.50	12.00	1,550	5987102
	CHPF4860D6D*	G*VC961205DNA*	52,000	40,000	15.00	12.00	1,460	7356728
	CHPF4860D6D*	G*VM971205DNA*	52,000	40,000	15.00	12.00	1,460	7356737
	CHPF4860D6D*	G*EC961205DNA*	52,000	40,000	15.50	12.50	1,630	7365887
	CHPF4860D6D*	G*VM961155DXB*	52,000	40,000	14.50	12.00	1,550	5987111
	CHPF4860D6D*	G*VC950905DXB*	52,000	40,000	14.50	12.00	1,540	5987093
	CHPF4860D6D*	GME951005DXA*	52,000	40,000	15.50	12.50	1,655	6079876
	CHPF4860D6D*	A*VC961205DNA*	52,000	40,000	15.00	12.00	1,460	7356750
	CHPF4860D6D*	A*VC950905DXB*	52,000	40,000	14.50	12.00	1,540	5987402
	CHPF4860D6D*	A*VC950905CXB*	52,000	40,000	14.50	12.00	1,550	5987398
	CHPF4860D6D*	A*EC961205DNA*	52,000	40,000	15.50	12.50	1,630	7366049
	CHPF4860D6D*	A*VM960805CXB*	52,000	40,000	14.50	12.00	1,550	5987411
	CHPF4860D6D*	G*VC80805C*B*	52,000	40,000	14.50	12.00	1,520	5987084
	CHPF4860D6D*	A*VC81005C*B*	52,000	40,000	14.50	12.00	1,500	5987395
	CHPF4860D6D*	G*VC961005CNA*	51,500	39,500	15.00	12.50	1,450	7356727
	CHPF4860D6D*	G*VM961005DXB*	52,000	40,000	14.50	12.00	1,550	5987108
	CHPF4860D6D*	A*EH800805C*A*	52,000	40,000	14.50	12.00	1,645	6945246
	CHPF4860D6D*	A*VM960805DXB*	52,000	40,000	14.50	12.00	1,675	5987414
	CHPF4860D6D*	A*VM971005CNA*	51,500	39,500	15.00	12.50	1,450	7356759
	CHPF4860D6D*	G*E80805C*B*	52,000	40,000	14.50	12.00	1,645	6079874
CHPF4860D6D*	A*VC951155DXB*	52,000	40,000	14.50	12.00	1,540	5987407	
CHPF4860D6D*	G*VM960805DXB*	52,000	40,000	14.50	12.00	1,675	5987105	
CHPF4860D6D*	A*VM961005DXB*	52,000	40,000	14.50	12.00	1,550	5987417	
CHPF4860D6D*	AMEH960805CXA*	52,000	40,000	14.50	12.00	1,580	6945248	
CHPF4860D6D*	A*VM961155DXB*	52,000	40,000	14.50	12.00	1,550	5987420	
CHPF4860D6D*	A*VC961005CNA*	51,500	39,500	15.00	12.50	1,450	7356749	
CHPF4860D6D*+EEP		52,000	40,000	14.50	12.00	1,675	5987076	
CHPF4860D6D*+EEP+TXV		53,500	41,000	15.00	12.50	1,675	5753061	
CHPF4860D6D*+MBVC2000**,-1A*		52,000	40,000	15.00	12.50	1,675	5987077	
CHPF4860D6D*+TXV	A*VC951155DXB*	52,000	40,000	16.00	13.00	1,450	5984025	
CHPF4860D6D*+TXV	AMEH960805CXA*	52,000	40,000	15.20	12.50	1,580	6945253	
CHPF4860D6D*+TXV	A*VM961005DXB*	52,000	40,000	16.00	13.00	1,450	5984028	

See Notes on Page 85.

OUTDOOR UNIT	INDOOR UNITS		COOLING RATINGS				CFM	AHRI #
	COILS/AIR HANDLERS	FURNACES	TOTAL <sup>1</sup>	SENS. <sup>1</sup>	SEER <sup>2</sup>	EER <sup>3</sup>		
GSX16 0601F* (cont.)	CHPF4860D6D*+TXV	GME950805CXA*	52,000	40,000	15.20	12.50	1,580	6107349
	CHPF4860D6D*+TXV	G*VM960805DXB*	52,000	40,000	15.00	12.50	1,675	5983823
	CHPF4860D6D*+TXV	AMEH961005DXA*	53,000	40,500	16.00	13.00	1,500	6945254
	CHPF4860D6D*+TXV	A*VM960805DXB*	52,000	40,000	15.00	12.50	1,675	5984105
	CHPF4860D6D*+TXV	A*VM971005CNA*	52,000	40,000	15.50	12.50	1,450	7355710
	CHPF4860D6D*+TXV	G*VC950905DXB*	52,000	40,000	16.00	13.00	1,450	6107348
	CHPF4860D6D*+TXV	G*VC80805C*B*	52,000	40,000	15.20	12.50	1,520	6107347
	CHPF4860D6D*+TXV	A*EH801005C*A*	52,000	40,000	15.00	12.50	1,690	6945252
	CHPF4860D6D*+TXV	G*VC81005C*B*	52,000	40,000	15.00	12.50	1,500	5983809
	CHPF4860D6D*+TXV	A*VM961155DXB*	52,000	40,000	15.50	12.50	1,450	5984030
	CHPF4860D6D*+TXV	G*VM961155DXB*	52,000	40,000	15.50	12.50	1,450	5983826
	CHPF4860D6D*+TXV	A*EH800805D*A*	53,000	40,500	16.00	13.00	1,500	6945251
	CHPF4860D6D*+TXV	G*E80805C*B*	52,000	40,000	15.20	12.50	1,645	6107346
	CHPF4860D6D*+TXV	A*VM971205DNA*	52,000	40,000	16.00	13.00	1,460	7355716
	CHPF4860D6D*+TXV	G*E81005C*B*	52,000	40,000	15.00	12.50	1,690	5983804
	CHPF4860D6D*+TXV	G*E80805D*A*	53,000	40,500	16.00	13.00	1,500	5753063
	CHPF4860D6D*+TXV	A*VC950905CXB*	52,000	40,000	15.00	12.50	1,550	5984018
	CHPF4860D6D*+TXV	G*VM971005CNA*	52,000	40,000	15.50	12.50	1,450	7355383
	CHPF4860D6D*+TXV	G*VC961005CNA*	52,000	40,000	15.50	12.50	1,450	7355236
	CHPF4860D6D*+TXV	A*VC961205DNA*	52,000	40,000	16.00	13.00	1,460	7355569
	CHPF4860D6D*+TXV	G*EC961205DNA*	52,000	40,000	16.00	13.00	1,630	7365888
	CHPF4860D6D*+TXV	A*EC961205DNA*	52,000	40,000	16.00	13.00	1,630	7366050
	CHPF4860D6D*+TXV	G*VM971205DNA*	52,000	40,000	16.00	13.00	1,460	7355389
	CHPF4860D6D*+TXV	A*VC961005CNA*	52,000	40,000	15.50	12.50	1,450	7355563
	CHPF4860D6D*+TXV	G*VC951155DXB*	52,000	40,000	16.00	13.00	1,450	5983819
	CHPF4860D6D*+TXV	A*VC81005C*B*	52,000	40,000	15.00	12.50	1,500	5984015
	CHPF4860D6D*+TXV	G*VC950905CXB*	52,000	40,000	15.00	12.50	1,550	5983812
	CHPF4860D6D*+TXV	GME951005DXA*	53,000	40,500	16.00	13.00	1,500	5753065
	CHPF4860D6D*+TXV	A*VC950905DXB*	52,000	40,000	16.00	13.00	1,450	6107360
	CHPF4860D6D*+TXV	G*VC961205DNA*	52,000	40,000	16.00	13.00	1,460	7355242
	CHPF4860D6D*+TXV	A*VM960805CXB*	52,000	40,000	15.00	12.50	1,550	5984027
	CHPF4860D6D*+TXV	A*EH800805C*A*	52,000	40,000	15.20	12.50	1,645	6945250
	CHPF4860D6D*+TXV	G*VM961005DXB*	52,000	40,000	16.00	13.00	1,450	5983824
	CHPF4860D6D*+TXV	A*VC80805C*B*	52,000	40,000	15.20	12.50	1,520	6107359
	CHPF4860D6D*+TXV	G*VM960805CXB*	52,000	40,000	15.00	12.50	1,550	5983821
	CSCF4860N6D*	G*VC950905DXB*	51,500	39,500	14.00	12.00	1,540	5987094
	CSCF4860N6D*	AMEH961005DXA*	51,500	39,500	15.00	12.50	1,655	6945258
	CSCF4860N6D*	A*VC961005CNA*	51,500	39,500	14.50	12.00	1,450	7355565
	CSCF4860N6D*	A*VC950905CXB*	51,500	39,500	14.00	12.00	1,550	5987399
	CSCF4860N6D*	A*VM971005CNA*	51,500	39,500	14.50	12.00	1,450	7355712
	CSCF4860N6D*	G*VC961205DNA*	51,500	39,500	14.50	12.00	1,460	7355244
	CSCF4860N6D*	GME951005DXA*	51,500	39,500	15.00	12.50	1,655	6079828
	CSCF4860N6D*	G*E80805C*B*	51,500	39,500	14.50	12.00	1,645	6079826
	CSCF4860N6D*	A*VM971205DNA*	51,500	39,500	14.50	12.00	1,460	7355718
	CSCF4860N6D*	G*E81005C*B*	51,500	39,500	14.50	12.00	1,690	6079827
CSCF4860N6D*	G*VC961005CNA*	51,500	39,500	14.50	12.00	1,450	7355238	
CSCF4860N6D*	A*VC950905DXB*	51,500	39,500	14.00	12.00	1,540	5987403	
CSCF4860N6D*	A*EH801005C*A*	51,500	39,500	14.50	12.00	1,690	6945256	
CSCF4860N6D*	G*VC950905CXB*	51,500	39,500	14.00	12.00	1,550	5987090	
CSCF4860N6D*	G*VC951155DXB*	51,500	39,500	14.00	12.00	1,540	5987099	
CSCF4860N6D*	G*VM971005CNA*	51,500	39,500	14.50	12.00	1,450	7355385	
CSCF4860N6D*	GME950805CXA*	51,500	39,500	14.50	12.00	1,580	6079877	
CSCF4860N6D*	A*EH800805C*A*	51,500	39,500	14.50	12.00	1,645	6945255	
CSCF4860N6D*	A*VC961205DNA*	51,500	39,500	14.50	12.00	1,460	7355571	

See Notes on Page 85.

OUTDOOR UNIT	INDOOR UNITS		COOLING RATINGS				CFM	AHRI #
	COILS/AIR HANDLERS	FURNACES	TOTAL <sup>1</sup>	SENS. <sup>1</sup>	SEER <sup>2</sup>	EER <sup>3</sup>		
GSX16 0601F* (cont.)	CSCF4860N6D*	A*VC951155DXB*	51,500	39,500	14.00	12.00	1,540	5987408
	CSCF4860N6D*	G*VM971205DNA*	51,500	39,500	14.50	12.00	1,460	7355391
	CSCF4860N6D*	AMEH960805CXA*	51,500	39,500	14.50	12.00	1,580	6945257
	CSCF4860N6D*+EEP		51,500	39,500	14.00	12.00	1,675	5987078
	CSCF4860N6D*+EEP+TXV		51,500	39,500	14.50	12.00	1,675	5983797
	CSCF4860N6D*+TXV	G*VC950905CXB*	51,500	39,500	14.50	12.00	1,550	5983813
	CSCF4860N6D*+TXV	A*VC961005CNA*	51,500	39,500	15.00	12.50	1,450	7355564
	CSCF4860N6D*+TXV	G*E81005C*B*	51,500	39,500	15.00	12.50	1,690	5983805
	CSCF4860N6D*+TXV	A*VC950905DXB*	51,500	39,500	14.50	12.00	1,540	5984021
	CSCF4860N6D*+TXV	G*VC950905DXB*	51,500	39,500	14.50	12.00	1,540	5983815
	CSCF4860N6D*+TXV	A*VM971005CNA*	51,500	39,500	15.00	12.50	1,450	7355711
	CSCF4860N6D*+TXV	AMEH961005DXA*	51,500	39,500	15.50	12.50	1,655	6945263
	CSCF4860N6D*+TXV	A*VM971205DNA*	51,500	39,500	15.00	12.00	1,460	7355717
	CSCF4860N6D*+TXV	AMEH960805CXA*	51,500	39,500	14.50	12.00	1,580	6945262
	CSCF4860N6D*+TXV	A*EH800805D*A*	51,500	39,500	15.50	12.50	1,690	6945260
	CSCF4860N6D*+TXV	G*VM971205DNA*	51,500	39,500	15.00	12.00	1,460	7355390
	CSCF4860N6D*+TXV	G*VC951155DXB*	51,500	39,500	14.50	12.00	1,540	5983820
	CSCF4860N6D*+TXV	A*EH800805C*A*	51,500	39,500	15.00	12.50	1,645	6945259
	CSCF4860N6D*+TXV	A*VC951155DXB*	51,500	39,500	14.50	12.00	1,540	5984026
	CSCF4860N6D*+TXV	GME951005DXA*	51,500	39,500	15.50	12.50	1,655	5983833
CSCF4860N6D*+TXV	A*EH801005C*A*	51,500	39,500	15.00	12.50	1,690	6945261	
CSCF4860N6D*+TXV	G*VC961205DNA*	51,500	39,500	15.00	12.00	1,460	7355243	
CSCF4860N6D*+TXV	G*E80805C*B*	51,500	39,500	15.00	12.50	1,645	5983800	
CSCF4860N6D*+TXV	A*VC950905CXB*	51,500	39,500	14.50	12.00	1,550	5984019	
CSCF4860N6D*+TXV	G*VM971005CNA*	51,500	39,500	15.00	12.50	1,450	7355384	
CSCF4860N6D*+TXV	A*VC961205DNA*	51,500	39,500	15.00	12.00	1,460	7355570	
CSCF4860N6D*+TXV	G*VC961005CNA*	51,500	39,500	15.00	12.50	1,450	7355237	
CSCF4860N6D*+TXV	G*E80805D*A*	51,500	39,500	15.50	12.50	1,690	5983801	
CSCF4860N6D*+TXV	GME950805CXA*	51,500	39,500	14.50	12.00	1,580	5983832	
GSX16 0611F*	ASPT60D14A*		57,000	40,000	14.00	12.00	1,620	6762955
	ASUF59D14A*		55,500	39,000	13.50	11.50	1,600	6836567
	ASUF59D14A*+TXV		56,000	39,000	14.00	11.50	1,600	6762954
	AVPTC60D14A*		57,000	40,000	14.00	12.00	1,620	6762956
	CA*F4961*6D*	G*VC961005CNA*	56,500	39,500	13.50	11.00	1,525	7355246
	CA*F4961*6D*	A*VC80805C*B*	56,500	39,500	14.00	11.50	1,560	6836589
	CA*F4961*6D*	A*VM961155DXB*	56,500	39,500	14.00	11.50	1,550	6836639
	CA*F4961*6D*	G*VC961205DNA*	56,500	39,500	14.00	11.50	1,520	7355252
	CA*F4961*6D*	G*VC81005C*B*	56,500	39,500	14.00	11.50	1,525	6836598
	CA*F4961*6D*	G*EC961205DNA*	56,500	39,500	14.00	11.50	1,500	7365889
	CA*F4961*6D*	A*VC950905DXB*	56,500	39,500	14.00	11.50	1,575	6836604
	CA*F4961*6D*	AMEH960805CXA*	56,500	39,500	13.50	11.00	1,565	6945267
	CA*F4961*6D*	A*VM971205DNA*	56,500	39,500	14.00	11.50	1,520	7355726
	CA*F4961*6D*	G*VM960805CXB*	56,500	39,500	13.50	11.00	1,590	6836623
	CA*F4961*6D*	A*EC961205DNA*	56,500	39,500	14.00	11.50	1,500	7366051
	CA*F4961*6D*	GME951005DXA*	56,500	39,500	14.00	11.50	1,470	6836586
	CA*F4961*6D*	G*E80805C*B*	56,500	39,500	14.00	11.50	1,525	6836574
	CA*F4961*6D*	A*VC961005CNA*	56,500	39,500	13.50	11.00	1,525	7355573
	CA*F4961*6D*	G*VM971205DNA*	56,500	39,500	14.00	11.50	1,520	7355399
	CA*F4961*6D*	G*E80805D*A*	56,500	39,500	14.00	11.50	1,500	6836650
CA*F4961*6D*	G*VM961155DXB*	56,500	39,500	14.00	11.50	1,550	6836640	
CA*F4961*6D*	A*EH800805D*A*	56,500	39,500	14.00	11.50	1,500	6945265	
CA*F4961*6D*	G*E81005C*B*	56,500	39,500	13.50	11.50	1,600	6836580	
CA*F4961*6D*	AMEH961005DXA*	56,500	39,500	14.00	11.50	1,470	6945268	
CA*F4961*6D*	A*VC81005C*B*	56,500	39,500	14.00	11.50	1,525	6836596	

See Notes on Page 85.

OUTDOOR UNIT	INDOOR UNITS		COOLING RATINGS				CFM	AHRI #	
	COILS/AIR HANDLERS	FURNACES	TOTAL <sup>1</sup>	SENS. <sup>1</sup>	SEER <sup>2</sup>	EER <sup>3</sup>			
GSX16 0611F* (cont.)	CA*F4961*6D*	A*VM960805CXB*	56,500	39,500	13.50	11.00	1,590	6836621	
	CA*F4961*6D*	G*VC80805C*B*	56,500	39,500	14.00	11.50	1,560	6836591	
	CA*F4961*6D*	A*VM971005CNA*	56,500	39,500	13.50	11.00	1,525	7355720	
	CA*F4961*6D*	GME950805CXA*	56,500	39,500	13.50	11.00	1,565	6836583	
	CA*F4961*6D*	ADVC80805C*B*	56,500	39,500	14.00	11.50	1,560	6836590	
	CA*F4961*6D*	G*VC950905DXB*	56,500	39,500	14.00	11.50	1,575	6836606	
	CA*F4961*6D*	A*VC950905CXB*	56,500	39,500	13.50	11.00	1,580	6836603	
	CA*F4961*6D*	ADVC81005C*B*	56,500	39,500	14.00	11.50	1,525	6836597	
	CA*F4961*6D*	A*VC961205DNA*	56,500	39,500	14.00	11.50	1,520	7355579	
	CA*F4961*6D*	G*VM961005DXB*	56,500	39,500	14.00	11.50	1,575	6836634	
	CA*F4961*6D*	G*VM960805DXB*	56,500	39,500	14.00	11.50	1,575	6836624	
	CA*F4961*6D*	A*VM961005DXB*	56,500	39,500	14.00	11.50	1,575	6836633	
	CA*F4961*6D*	G*VM971005CNA*	56,500	39,500	13.50	11.00	1,525	7355393	
	CA*F4961*6D*	A*VC951155DXB*	56,500	39,500	14.00	11.50	1,550	6836615	
	CA*F4961*6D*	G*VC951155DXB*	56,500	39,500	14.00	11.50	1,550	6836616	
	CA*F4961*6D*	A*VM960805DXB*	56,500	39,500	14.00	11.50	1,575	6836622	
	CA*F4961*6D*	G*VC950905CXB*	56,500	39,500	13.50	11.00	1,580	6836605	
	CA*F4961*6D*	A*EH800805C*A*	56,500	39,500	14.00	11.50	1,525	6945264	
	CA*F4961*6D*	A*EH801005C*A*	56,500	39,500	13.50	11.50	1,600	6945266	
	CA*F4961*6D*+EEP			56,500	39,500	13.50	11.00	1,545	6836568
	CA*F4961*6D*+EEP+TXV			57,000	40,000	14.00	11.50	1,545	6809884
	CA*F4961*6D*+MBVC2000**-1A*			56,500	39,500	14.00	11.50	1,620	6836569
	CA*F4961*6D*+MBVC2000**-1A*+TXV			57,000	40,000	14.50	12.00	1,620	6762912
	CA*F4961*6D*+TXV	G*VC961205DNA*		57,000	40,000	14.50	11.80	1,520	7355251
	CA*F4961*6D*+TXV	G*VM960805DXB*		57,000	40,000	14.50	12.00	1,575	6762894
	CA*F4961*6D*+TXV	G*VM971205DNA*		57,000	40,000	14.50	11.80	1,520	7355398
	CA*F4961*6D*+TXV	A*EH800805C*A*		57,000	40,000	14.50	12.00	1,525	6945269
	CA*F4961*6D*+TXV	A*VC81005C*B*		57,000	40,000	14.50	12.00	1,525	6762844
	CA*F4961*6D*+TXV	G*VM961155DXB*		57,000	40,000	14.50	12.00	1,550	6762900
	CA*F4961*6D*+TXV	A*VC961005CNA*		57,000	40,000	14.00	11.50	1,525	7355572
	CA*F4961*6D*+TXV	A*EC961205DNA*		57,000	40,000	14.50	12.00	1,500	7366052
	CA*F4961*6D*+TXV	AMEH960805CXA*		57,000	40,000	14.00	11.50	1,565	6945272
	CA*F4961*6D*+TXV	A*EH801005C*A*		57,000	40,000	14.50	12.00	1,600	6945271
	CA*F4961*6D*+TXV	G*VC80805C*B*		57,000	40,000	14.50	12.00	1,560	6762876
	CA*F4961*6D*+TXV	GME951005DXA*		57,000	40,000	14.50	12.00	1,470	6762906
	CA*F4961*6D*+TXV	A*VM961155DXB*		57,000	40,000	14.50	12.00	1,550	6762865
	CA*F4961*6D*+TXV	AMEH961005DXA*		57,000	40,000	14.50	12.00	1,470	6945273
	CA*F4961*6D*+TXV	G*VC961005CNA*		57,000	40,000	14.00	11.50	1,525	7355245
	CA*F4961*6D*+TXV	A*VM961005DXB*		57,000	40,000	14.50	12.00	1,575	6762862
	CA*F4961*6D*+TXV	G*VC951155DXB*		57,000	40,000	14.50	12.00	1,550	6762888
	CA*F4961*6D*+TXV	ADVC81005C*B*		57,000	40,000	14.50	12.00	1,525	6762869
	CA*F4961*6D*+TXV	A*VC951155DXB*		57,000	40,000	14.50	12.00	1,550	6762853
CA*F4961*6D*+TXV	G*EC961205DNA*		57,000	40,000	14.50	12.00	1,500	7365890	
CA*F4961*6D*+TXV	G*E80805D*A*		57,000	40,000	14.50	12.00	1,500	6762915	
CA*F4961*6D*+TXV	GME950805CXA*		57,000	40,000	14.00	11.50	1,565	6762903	
CA*F4961*6D*+TXV	G*VC950905CXB*		57,000	40,000	14.00	11.50	1,580	6762882	
CA*F4961*6D*+TXV	A*EH800805D*A*		57,000	40,000	14.50	12.00	1,500	6945270	
CA*F4961*6D*+TXV	A*VC80805C*B*		57,000	40,000	14.50	12.00	1,560	6762841	
CA*F4961*6D*+TXV	A*VM960805DXB*		57,000	40,000	14.50	12.00	1,575	6762859	
CA*F4961*6D*+TXV	A*VC950905DXB*		57,000	40,000	14.50	12.00	1,575	6762850	
CA*F4961*6D*+TXV	G*E81005C*B*		57,000	40,000	14.50	12.00	1,600	6762873	
CA*F4961*6D*+TXV	ADVC80805C*B*		57,000	40,000	14.50	12.00	1,560	6762868	
CA*F4961*6D*+TXV	G*VC950905DXB*		57,000	40,000	14.50	12.00	1,575	6762885	
CA*F4961*6D*+TXV	G*VM960805CXB*		57,000	40,000	14.00	11.50	1,590	6762891	

See Notes on Page 85.

OUTDOOR UNIT	INDOOR UNITS		COOLING RATINGS				CFM	AHRI #
	COILS/AIR HANDLERS	FURNACES	TOTAL <sup>1</sup>	SENS. <sup>1</sup>	SEER <sup>2</sup>	EER <sup>3</sup>		
GSX16 0611F* (cont.)	CA*F4961*6D*+TXV	G*VM961005DXB*	57,000	40,000	14.50	12.00	1,575	6762897
	CA*F4961*6D*+TXV	A*VC950905CXB*	57,000	40,000	14.00	11.50	1,580	6762847
	CA*F4961*6D*+TXV	G*E80805C*B*	57,000	40,000	14.50	12.00	1,525	6762870
	CA*F4961*6D*+TXV	A*VM960805CXB*	57,000	40,000	14.00	11.50	1,590	6762856
	CA*F4961*6D*+TXV	A*VM971205DNA*	57,000	40,000	14.50	11.80	1,520	7355725
	CA*F4961*6D*+TXV	G*VM971005CNA*	57,000	40,000	14.00	11.50	1,525	7355392
	CA*F4961*6D*+TXV	A*VM971005CNA*	57,000	40,000	14.00	11.50	1,525	7355719
	CA*F4961*6D*+TXV	A*VC961205DNA*	57,000	40,000	14.50	11.80	1,520	7355578
	CA*F4961*6D*+TXV	G*VC81005C*B*	57,000	40,000	14.50	12.00	1,525	6762879
	CAPT4961*4A*	G*VM971005CNA*	57,000	40,000	14.00	11.50	1,525	7355394
	CAPT4961*4A*	G*EC961205DNA*	56,500	39,500	14.00	11.50	1,500	7365891
	CAPT4961*4A*	G*VC961005CNA*	57,000	40,000	14.00	11.50	1,525	7355247
	CAPT4961*4A*	G*VM971205DNA*	57,000	40,000	14.50	11.80	1,520	7355400
	CAPT4961*4A*	A*EC961205DNA*	56,500	39,500	14.00	11.50	1,500	7366053
	CAPT4961*4A*	A*VM971005CNA*	57,000	40,000	14.00	11.50	1,525	7355721
	CAPT4961*4A*	A*VM971205DNA*	57,000	40,000	14.50	11.80	1,520	7355727
	CAPT4961*4A*	A*VC961205DNA*	57,000	40,000	14.50	11.80	1,520	7355580
	CAPT4961*4A*	A*VC961005CNA*	57,000	40,000	14.00	11.50	1,525	7355574
	CAPT4961*4A*	G*VC961205DNA*	57,000	40,000	14.50	11.80	1,520	7355253
	CHPF4860D6D*	A*EH801005C*A*	56,500	39,500	13.50	11.50	1,600	6945276
	CHPF4860D6D*	A*VM961155DXB*	56,500	39,500	14.00	11.50	1,550	6836641
	CHPF4860D6D*	A*VC951155DXB*	56,500	39,500	14.00	11.50	1,550	6836617
	CHPF4860D6D*	A*VM971205DNA*	56,500	39,500	14.00	11.50	1,520	7356762
	CHPF4860D6D*	G*VC950905CXB*	56,500	39,500	13.50	11.50	1,580	6836609
	CHPF4860D6D*	G*VC951155DXB*	56,500	39,500	14.00	11.50	1,550	6836618
	CHPF4860D6D*	G*E80805C*B*	56,500	39,500	14.00	11.50	1,525	6836575
	CHPF4860D6D*	A*VC81005C*B*	56,500	39,500	14.00	11.50	1,525	6836599
	CHPF4860D6D*	G*VC950905DXB*	56,500	39,500	14.00	11.50	1,575	6836610
	CHPF4860D6D*	A*EH800805D*A*	56,500	39,500	14.00	11.50	1,500	6945275
	CHPF4860D6D*	A*VM960805CXB*	56,500	39,500	13.50	11.00	1,590	6836625
	CHPF4860D6D*	A*VM960805DXB*	56,500	39,500	14.00	11.50	1,575	6836626
	CHPF4860D6D*	G*VC80805C*B*	56,500	39,500	14.00	11.50	1,560	6836593
	CHPF4860D6D*	G*VC961005CNA*	56,500	39,500	13.50	11.50	1,525	7356729
	CHPF4860D6D*	A*EC961205DNA*	56,500	39,500	14.00	11.50	1,500	7366054
	CHPF4860D6D*	G*VM971205DNA*	56,500	39,500	14.00	11.50	1,520	7356739
	CHPF4860D6D*	A*VC961005CNA*	56,500	39,500	13.50	11.50	1,525	7356751
	CHPF4860D6D*	AMEH961005DXA*	56,500	39,500	14.00	11.50	1,470	6945278
	CHPF4860D6D*	A*VC950905CXB*	56,500	39,500	13.50	11.50	1,580	6836607
	CHPF4860D6D*	A*VC961205DNA*	56,500	39,500	14.00	11.50	1,520	7356752
	CHPF4860D6D*	G*VM961005DXB*	56,500	39,500	14.00	11.50	1,575	6836636
	CHPF4860D6D*	G*VM961155DXB*	56,500	39,500	14.00	11.50	1,550	6836642
	CHPF4860D6D*	G*E81005C*B*	56,500	39,500	13.50	11.50	1,600	6836581
	CHPF4860D6D*	G*VM960805DXB*	56,500	39,500	14.00	11.50	1,575	6836628
	CHPF4860D6D*	A*VM971005CNA*	56,500	39,500	13.50	11.50	1,525	7356761
	CHPF4860D6D*	G*E80805D*A*	56,500	39,500	14.00	11.50	1,500	6836651
	CHPF4860D6D*	A*EH800805C*A*	56,500	39,500	14.00	11.50	1,525	6945274
	CHPF4860D6D*	G*EC961205DNA*	56,500	39,500	14.00	11.50	1,500	7365892
CHPF4860D6D*	A*VC950905DXB*	56,500	39,500	14.00	11.50	1,575	6836608	
CHPF4860D6D*	G*VM960805CXB*	56,500	39,500	13.50	11.00	1,590	6836627	
CHPF4860D6D*	GME950805CXA*	56,500	39,500	13.50	11.00	1,565	6836584	
CHPF4860D6D*	G*VC81005C*B*	56,500	39,500	14.00	11.50	1,525	6836600	
CHPF4860D6D*	A*VM961005DXB*	56,500	39,500	14.00	11.50	1,575	6836635	
CHPF4860D6D*	G*VM971005CNA*	56,500	39,500	13.50	11.50	1,525	7356738	
CHPF4860D6D*	GME951005DXA*	56,500	39,500	14.00	11.50	1,470	6836587	

See Notes on Page 85.

OUTDOOR UNIT	INDOOR UNITS		COOLING RATINGS				CFM	AHRI #
	COILS/AIR HANDLERS	FURNACES	TOTAL <sup>1</sup>	SENS. <sup>1</sup>	SEER <sup>2</sup>	EER <sup>3</sup>		
GSX16 0611F* (cont.)	CHPF4860D6D*	AMEH960805CXA*	56,500	39,500	13.50	11.00	1,565	6945277
	CHPF4860D6D*	G*VC961205DNA*	56,500	39,500	14.00	11.50	1,520	7356730
	CHPF4860D6D*	A*VC80805C*B*	56,500	39,500	14.00	11.50	1,560	6836592
	CHPF4860D6D*+EEP		56,500	39,500	13.50	11.00	1,545	6836570
	CHPF4860D6D*+EEP+TXV		57,000	40,000	14.00	11.50	1,545	6762910
	CHPF4860D6D*+MBVC2000** -1A*		56,500	39,500	14.00	11.50	1,620	6836571
	CHPF4860D6D*+MBVC2000** -1A*+TXV		57,000	40,000	14.50	12.00	1,620	6762913
	CHPF4860D6D*+TXV	G*VC961005CNA*	57,000	40,000	14.00	11.50	1,525	7355248
	CHPF4860D6D*+TXV	G*VC80805C*B*	57,000	40,000	14.50	12.00	1,560	6762877
	CHPF4860D6D*+TXV	A*VM961005DXB*	57,000	40,000	14.50	12.00	1,575	6762863
	CHPF4860D6D*+TXV	A*VM960805CXB*	57,000	40,000	14.00	11.50	1,590	6762857
	CHPF4860D6D*+TXV	G*VC81005C*B*	57,000	40,000	14.50	12.00	1,525	6762880
	CHPF4860D6D*+TXV	G*E80805C*B*	57,000	40,000	14.50	12.00	1,525	6762871
	CHPF4860D6D*+TXV	AMEH960805CXA*	57,000	40,000	14.00	11.50	1,565	6945282
	CHPF4860D6D*+TXV	G*E81005C*B*	57,000	40,000	14.50	12.00	1,600	6762874
	CHPF4860D6D*+TXV	A*VM971005CNA*	57,000	40,000	14.00	11.50	1,525	7355722
	CHPF4860D6D*+TXV	A*VC951155DXB*	57,000	40,000	14.50	12.00	1,550	6762854
	CHPF4860D6D*+TXV	G*VM960805DXB*	57,000	40,000	14.50	12.00	1,575	6762895
	CHPF4860D6D*+TXV	G*EC961205DNA*	57,000	40,000	14.50	12.00	1,500	7365893
	CHPF4860D6D*+TXV	A*VM961155DXB*	57,000	40,000	14.50	12.00	1,550	6762866
	CHPF4860D6D*+TXV	G*VM961005DXB*	57,000	40,000	14.50	12.00	1,575	6762898
	CHPF4860D6D*+TXV	A*VC950905DXB*	57,000	40,000	14.50	12.00	1,575	6762851
	CHPF4860D6D*+TXV	G*VM960805CXB*	57,000	40,000	14.00	11.50	1,590	6762892
	CHPF4860D6D*+TXV	GME950805CXA*	57,000	40,000	14.00	11.50	1,565	6762904
	CHPF4860D6D*+TXV	G*VC961205DNA*	57,000	40,000	14.50	11.80	1,520	7355254
	CHPF4860D6D*+TXV	G*VC951155DXB*	57,000	40,000	14.50	12.00	1,550	6762889
	CHPF4860D6D*+TXV	A*VC961205DNA*	57,000	40,000	14.50	11.80	1,520	7355581
	CHPF4860D6D*+TXV	G*VM971205DNA*	57,000	40,000	14.50	11.80	1,520	7355401
	CHPF4860D6D*+TXV	G*VC950905DXB*	57,000	40,000	14.50	12.00	1,575	6762886
	CHPF4860D6D*+TXV	A*EH801005C*A*	57,000	40,000	14.50	12.00	1,600	6945281
	CHPF4860D6D*+TXV	A*VC80805C*B*	57,000	40,000	14.50	12.00	1,560	6762842
	CHPF4860D6D*+TXV	A*VM960805DXB*	57,000	40,000	14.50	12.00	1,575	6762860
	CHPF4860D6D*+TXV	A*VC81005C*B*	57,000	40,000	14.50	12.00	1,525	6762845
	CHPF4860D6D*+TXV	A*VC961005CNA*	57,000	40,000	14.00	11.50	1,525	7355575
	CHPF4860D6D*+TXV	G*VM961155DXB*	57,000	40,000	14.50	12.00	1,550	6762901
	CHPF4860D6D*+TXV	AMEH961005DXA*	57,000	40,000	14.50	12.00	1,470	6945283
	CHPF4860D6D*+TXV	A*EC961205DNA*	57,000	40,000	14.50	12.00	1,500	7366055
	CHPF4860D6D*+TXV	A*EH800805C*A*	57,000	40,000	14.50	12.00	1,525	6945279
	CHPF4860D6D*+TXV	A*VM971205DNA*	57,000	40,000	14.50	11.80	1,520	7355728
	CHPF4860D6D*+TXV	GME951005DXA*	57,000	40,000	14.50	12.00	1,470	6762907
	CHPF4860D6D*+TXV	G*VC950905CXB*	57,000	40,000	14.00	11.50	1,580	6762883
	CHPF4860D6D*+TXV	A*EH800805D*A*	57,000	40,000	14.50	12.00	1,500	6945280
CHPF4860D6D*+TXV	G*VM971005CNA*	57,000	40,000	14.00	11.50	1,525	7355395	
CHPF4860D6D*+TXV	A*VC950905CXB*	57,000	40,000	14.00	11.50	1,580	6762848	
CHPF4860D6D*+TXV	G*E80805D*A*	57,000	40,000	14.50	12.00	1,500	6762916	
CSCF4860N6D*	A*VM961005DXB*	56,500	39,500	14.00	11.50	1,575	6836637	
CSCF4860N6D*	G*E80805D*A*	56,500	39,500	14.00	11.50	1,500	6836652	
CSCF4860N6D*	G*VM960805DXB*	56,500	39,500	14.00	11.50	1,575	6836632	
CSCF4860N6D*	A*VC950905CXB*	56,500	39,500	13.50	11.00	1,580	6836611	
CSCF4860N6D*	AMEH960805CXA*	56,500	39,500	13.50	11.00	1,555	6945287	
CSCF4860N6D*	G*VM971205DNA*	56,500	39,500	14.00	11.50	1,520	7355403	
CSCF4860N6D*	G*VC961005CNA*	56,500	39,500	13.50	11.00	1,525	7355250	

See Notes on Page 85.

OUTDOOR UNIT	INDOOR UNITS		COOLING RATINGS				CFM	AHRI #
	COILS/AIR HANDLERS	FURNACES	TOTAL <sup>1</sup>	SENS. <sup>1</sup>	SEER <sup>2</sup>	EER <sup>3</sup>		
GSX16 0611F* (cont.)	CSCF4860N6D*	G*VC81005C*B*	56,500	39,500	14.00	11.50	1,525	6836602
	CSCF4860N6D*	A*VC961005CNA*	56,500	39,500	13.50	11.00	1,525	7355577
	CSCF4860N6D*	A*VM960805DXB*	56,500	39,500	14.00	11.50	1,575	6836630
	CSCF4860N6D*	A*VC80805C*B*	56,500	39,500	14.00	11.50	1,560	6836594
	CSCF4860N6D*	GME951005DXA*	56,500	39,500	14.00	11.50	1,470	6836588
	CSCF4860N6D*	A*VC961205DNA*	56,500	39,500	14.00	11.50	1,520	7355583
	CSCF4860N6D*	G*E80805C*B*	56,500	39,500	14.00	11.50	1,525	6836576
	CSCF4860N6D*	A*VM961155DXB*	56,500	39,500	14.00	11.50	1,550	6836643
	CSCF4860N6D*	A*EH801005C*A*	56,500	39,500	13.50	11.50	1,600	6945286
	CSCF4860N6D*	G*VM961005DXB*	56,500	39,500	14.00	11.50	1,575	6836638
	CSCF4860N6D*	AMEH961005DXA*	56,500	39,500	14.00	11.50	1,470	6945288
	CSCF4860N6D*	A*EH800805C*A*	56,500	39,500	14.00	11.50	1,525	6945284
	CSCF4860N6D*	A*VM960805CXB*	56,500	39,500	13.50	11.00	1,590	6836629
	CSCF4860N6D*	A*VC81005C*B*	56,500	39,500	14.00	11.50	1,525	6836601
	CSCF4860N6D*	G*VM961155DXB*	56,500	39,500	14.00	11.50	1,550	6836644
	CSCF4860N6D*	A*VC950905DXB*	56,500	39,500	14.00	11.50	1,575	6836612
	CSCF4860N6D*	G*VC961205DNA*	56,500	39,500	14.00	11.50	1,520	7355256
	CSCF4860N6D*	G*VC80805C*B*	56,500	39,500	14.00	11.50	1,560	6836595
	CSCF4860N6D*	GME950805CXA*	56,500	39,500	13.50	11.00	1,555	6836585
	CSCF4860N6D*	A*VM971005CNA*	56,500	39,500	13.50	11.00	1,525	7355724
	CSCF4860N6D*	A*EH800805D*A*	56,500	39,500	14.00	11.50	1,500	6945285
	CSCF4860N6D*	G*VM971005CNA*	56,500	39,500	13.50	11.00	1,525	7355397
	CSCF4860N6D*	G*VC951155DXB*	56,500	39,500	14.00	11.50	1,550	6836620
	CSCF4860N6D*	A*VM971205DNA*	56,500	39,500	14.00	11.50	1,520	7355730
	CSCF4860N6D*	A*VC951155DXB*	56,500	39,500	14.00	11.50	1,550	6836619
	CSCF4860N6D*	G*VM960805CXB*	56,500	39,500	13.50	11.00	1,590	6836631
	CSCF4860N6D*	G*E81005C*B*	56,500	39,500	13.50	11.50	1,600	6836582
	CSCF4860N6D*	G*VC950905DXB*	56,500	39,500	14.00	11.50	1,575	6836614
	CSCF4860N6D*	G*VC950905CXB*	56,500	39,500	13.50	11.00	1,580	6836613
	CSCF4860N6D*+EEP		56,500	39,500	13.50	11.00	1,545	6836572
	CSCF4860N6D*+EEP+TXV		57,000	40,000	14.00	11.50	1,545	6762911
	CSCF4860N6D*+MBVC2000*-1A*		56,500	39,500	14.00	11.50	1,620	6836573
	CSCF4860N6D*+MBVC2000*-1A*+TXV		57,000	40,000	14.50	12.00	1,620	6762914
	CSCF4860N6D*+TXV	G*VC950905CXB*	57,000	40,000	14.00	11.50	1,580	6762884
	CSCF4860N6D*+TXV	A*VM961155DXB*	57,000	40,000	14.50	12.00	1,550	6762867
	CSCF4860N6D*+TXV	GME950805CXA*	57,000	40,000	14.00	11.50	1,555	6762905
	CSCF4860N6D*+TXV	A*VC961005CNA*	57,000	40,000	14.00	11.50	1,525	7355576
	CSCF4860N6D*+TXV	A*VM960805DXB*	57,000	40,000	14.50	12.00	1,575	6762861
	CSCF4860N6D*+TXV	G*VC80805C*B*	57,000	40,000	14.50	12.00	1,560	6762878
	CSCF4860N6D*+TXV	A*EH800805D*A*	57,000	40,000	14.50	12.00	1,500	6945290
	CSCF4860N6D*+TXV	G*VM971005CNA*	57,000	40,000	14.00	11.50	1,525	7355396
	CSCF4860N6D*+TXV	G*VM971205DNA*	57,000	40,000	14.50	11.80	1,520	7355402
CSCF4860N6D*+TXV	A*VC81005C*B*	57,000	40,000	14.50	12.00	1,525	6762846	
CSCF4860N6D*+TXV	G*E80805C*B*	57,000	40,000	14.50	12.00	1,525	6762872	
CSCF4860N6D*+TXV	A*VC951155DXB*	57,000	40,000	14.50	12.00	1,550	6762855	
CSCF4860N6D*+TXV	G*VM961155DXB*	57,000	40,000	14.50	12.00	1,550	6762902	
CSCF4860N6D*+TXV	A*EH801005C*A*	57,000	40,000	14.50	12.00	1,600	6945291	
CSCF4860N6D*+TXV	G*VM961005DXB*	57,000	40,000	14.50	12.00	1,575	6762899	
CSCF4860N6D*+TXV	A*VM960805CXB*	57,000	40,000	14.00	11.50	1,590	6762858	
CSCF4860N6D*+TXV	A*VC80805C*B*	57,000	40,000	14.50	12.00	1,560	6762843	
CSCF4860N6D*+TXV	A*EH800805C*A*	57,000	40,000	14.50	12.00	1,525	6945289	
CSCF4860N6D*+TXV	A*VC950905DXB*	57,000	40,000	14.50	12.00	1,575	6762852	

See Notes on Page 85.

OUTDOOR UNIT	INDOOR UNITS		COOLING RATINGS				CFM	AHRI #
	COILS/AIR HANDLERS	FURNACES	TOTAL <sup>1</sup>	SENS. <sup>1</sup>	SEER <sup>2</sup>	EER <sup>3</sup>		
GSX16 0611F* (cont.)	CSCF4860N6D*+TXV	G*VC950905DXB*	57,000	40,000	14.50	12.00	1,575	6762887
	CSCF4860N6D*+TXV	G*VC961005CNA*	57,000	40,000	14.00	11.50	1,525	7355249
	CSCF4860N6D*+TXV	G*VM960805DXB*	57,000	40,000	14.50	12.00	1,575	6762896
	CSCF4860N6D*+TXV	A*VC950905CXB*	57,000	40,000	14.00	11.50	1,580	6762849
	CSCF4860N6D*+TXV	G*VC81005C*B*	57,000	40,000	14.50	12.00	1,525	6762881
	CSCF4860N6D*+TXV	G*VC951155DXB*	57,000	40,000	14.50	12.00	1,550	6762890
	CSCF4860N6D*+TXV	A*VM961005DXB*	57,000	40,000	14.50	12.00	1,575	6762864
	CSCF4860N6D*+TXV	A*VM971005CNA*	57,000	40,000	14.00	11.50	1,525	7355723
	CSCF4860N6D*+TXV	A*VM971205DNA*	57,000	40,000	14.50	11.80	1,520	7355729
	CSCF4860N6D*+TXV	G*E80805D*A*	57,000	40,000	14.50	12.00	1,500	6762917
	CSCF4860N6D*+TXV	G*E81005C*B*	57,000	40,000	14.50	12.00	1,600	6762875
	CSCF4860N6D*+TXV	AMEH960805CXA*	57,000	40,000	14.00	11.50	1,555	6945292
	CSCF4860N6D*+TXV	GME951005DXA*	57,000	40,000	14.50	12.00	1,470	6762908
	CSCF4860N6D*+TXV	A*VC961205DNA*	57,000	40,000	14.50	11.80	1,520	7355582
	CSCF4860N6D*+TXV	G*VM960805CXB*	57,000	40,000	14.00	11.50	1,590	6762893
	CSCF4860N6D*+TXV	AMEH961005DXA*	57,000	40,000	14.50	12.00	1,470	6945293
	CSCF4860N6D*+TXV	G*VC961205DNA*	57,000	40,000	14.50	11.80	1,520	7355255

<sup>1</sup> BTU/h

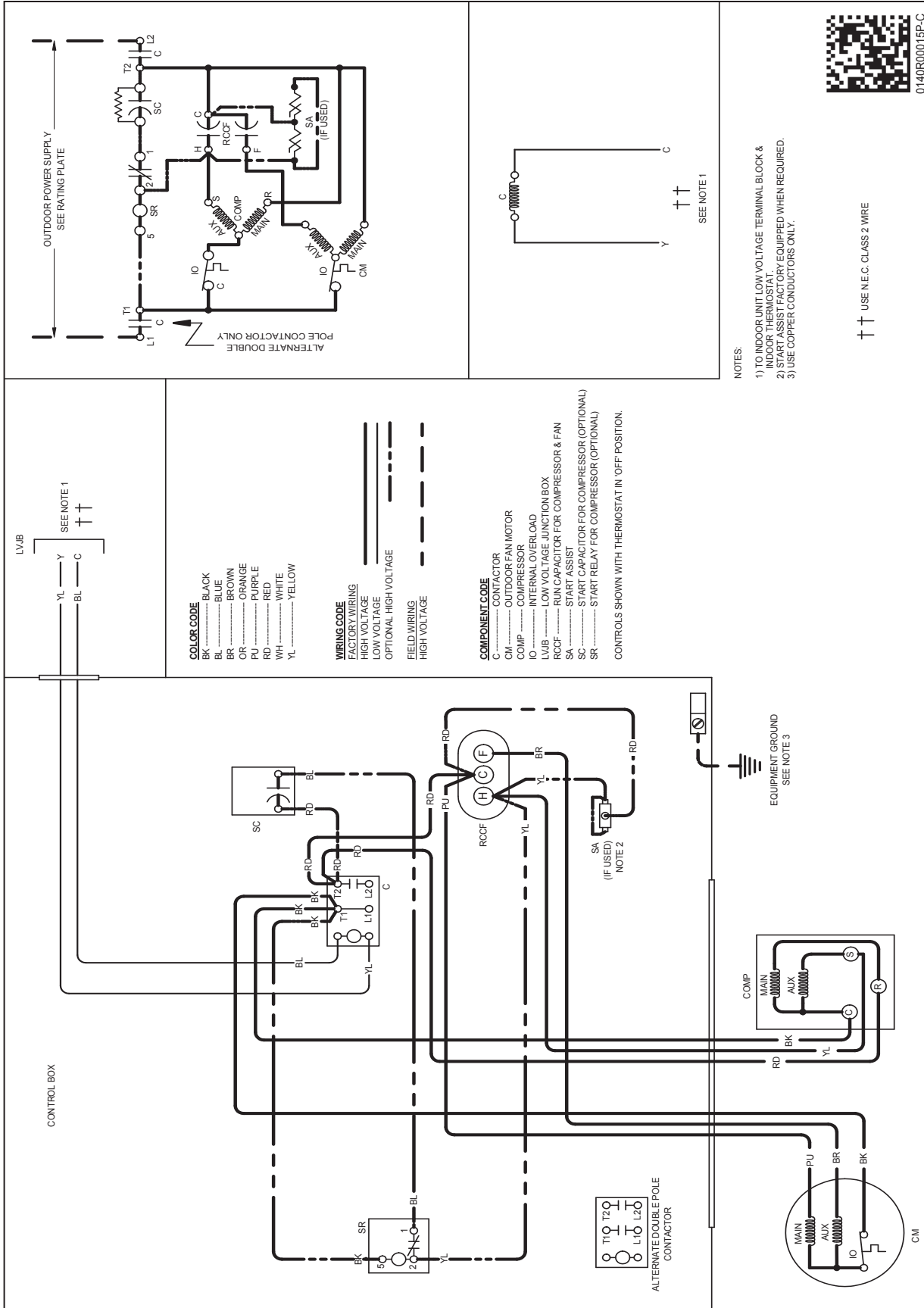
<sup>2</sup> Seasonal Energy Efficiency Ratio; Certified per AHRI 210/240 @ 80°F/ 67°F/ 95°F

<sup>3</sup> Energy Efficiency Ratio @ 80°F/ 67°F/ 95°F

**NOTES**

- Always check the S&R plate for electrical data on the unit being installed.
- When matching the outdoor unit to the indoor unit, use the piston supplied with the outdoor unit or that specified on the piston kit chart supplied with the indoor unit.
- EEP - Order from Service Dept. Part No. B13707-38 or new Solid State Board B13707-35S. Part No. B13707-38 is not interchangeable with B13707-35S. The Amana-brand Gas Furnace contains the EEP cooling time delay

GSX160181-48F\* / 611F\*



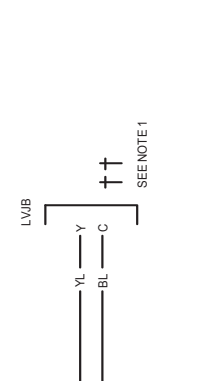
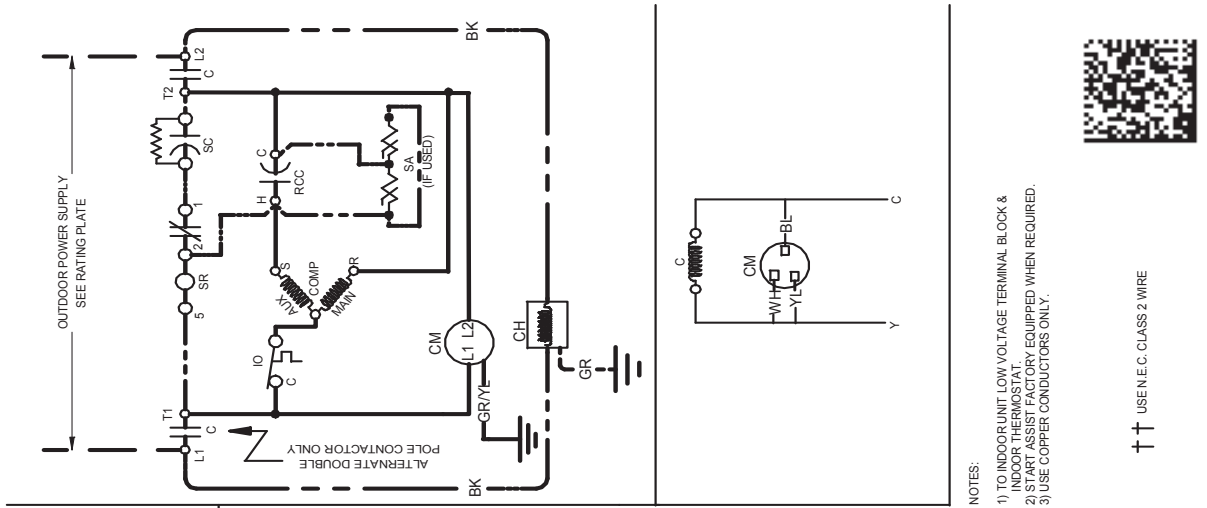
**WARNING**

⚡

High Voltage: Disconnect all power before servicing or installing this unit. Multiple power sources may be present. Failure to do so may cause property damage, personal injury, or death.

Wiring is subject to change. Always refer to the wiring diagram or the unit for the most up-to-date wiring.

GSX160601F\*



- COLOR CODE**
- BK.....BLACK
  - BL.....BLUE
  - BR.....BROWN
  - OR.....ORANGE
  - PU.....PURPLE
  - RD.....RED
  - WH.....WHITE
  - YL.....YELLOW
  - GRYL.....GREEN/YELLOW STRIPE
  - GR.....GREEN
- WIRING CODE**
- FACTORY WIRING
- HIGH VOLTAGE
  - LOW VOLTAGE
  - OPTIONAL HIGH VOLTAGE
  - FIELD WIRING
  - HIGH VOLTAGE

- COMPONENT CODE**
- C.....CONTACTOR
  - CM.....OUTDOOR FAN MOTOR
  - COMP.....COMPRESSOR
  - IO.....INTERNAL OVERLOAD
  - LVB.....LOW VOLTAGE JUNCTION BOX
  - RCC.....RUN CAPACITOR FOR COMPRESSOR
  - SA.....START CAPACITOR FOR COMPRESSOR (OPTIONAL)
  - SC.....START RELAY FOR COMPRESSOR (OPTIONAL)
  - CH.....CRANKCASE HEATER
- CONTROLS SHOWN WITH THERMOSTAT IN 'OFF' POSITION

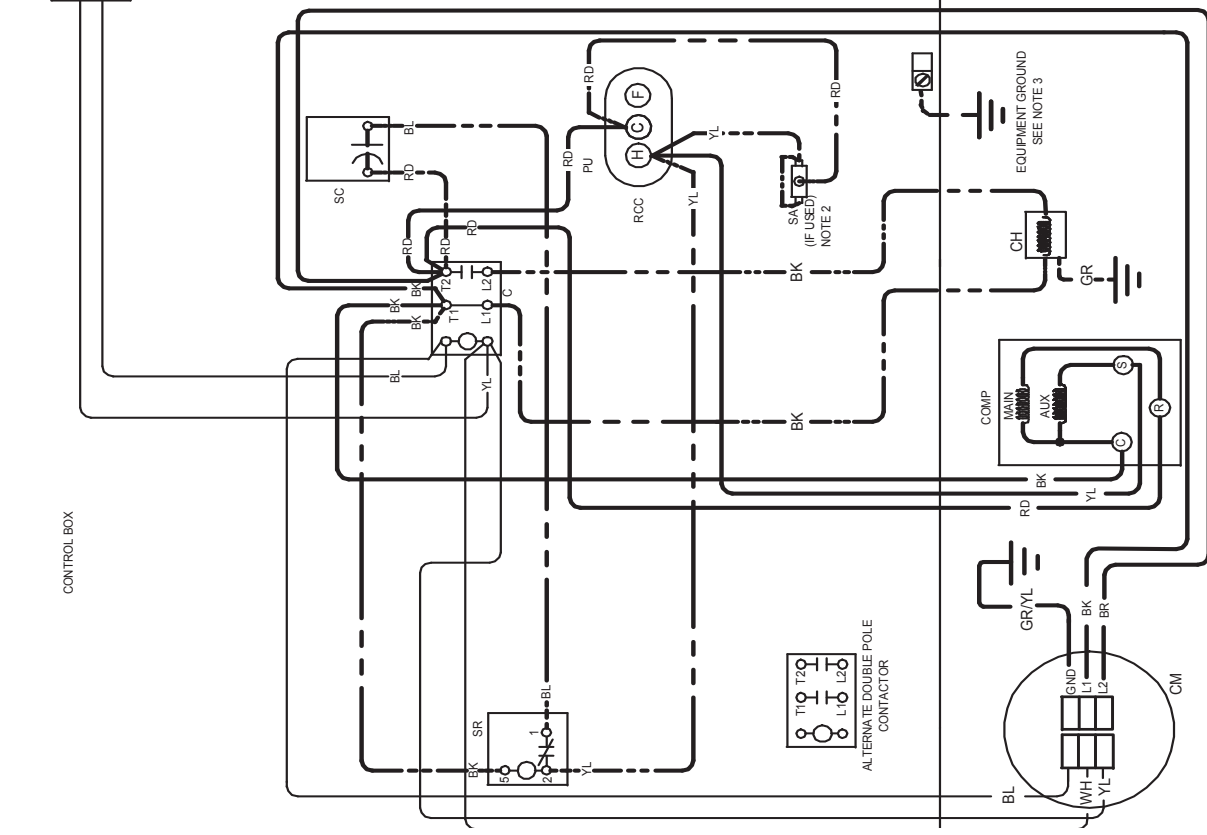
NOTES:

- 1) TO INDOOR UNIT LOW VOLTAGE TERMINAL BLOCK & INDOOR THERMOSTAT.
- 2) START RELAY IS FACTORY EQUIPPED WHEN REQUIRED.
- 3) USE COPPER CONDUCTORS ONLY.



0140R00287-A

↑↑ USE N.E.C. CLASS 2 WIRE

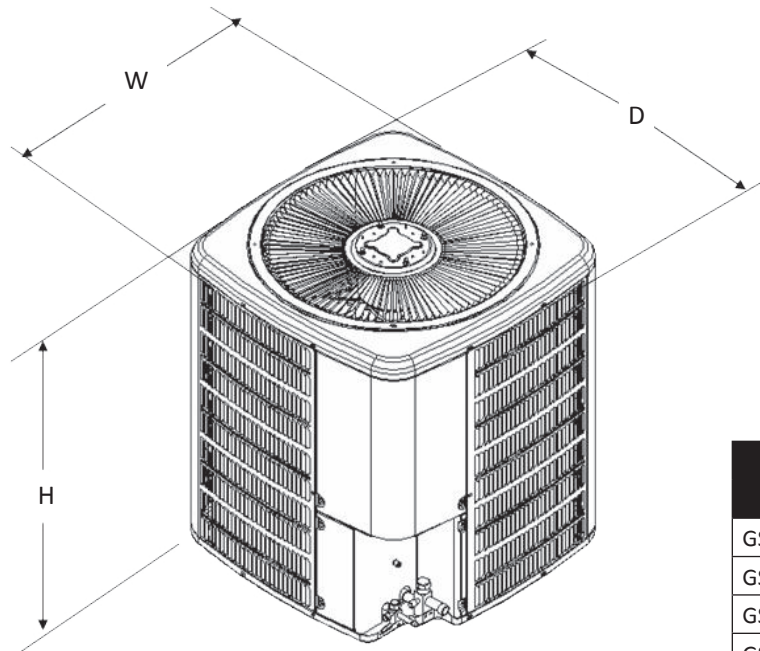


**WARNING**

High Voltage: Disconnect all power before servicing or installing this unit. Multiple power sources may be present. Failure to do so may cause property damage, personal injury, or death.

Wiring is subject to change. Always refer to the wiring diagram or the unit for the most up-to-date wiring.

**DIMENSIONS**



MODEL	DIMENSIONS		
	W"	D"	H"
GSX160181**	29	29	32¼
GSX160241**	29	29	32¼
GSX160301**	29	29	36¼
GSX160361**	29	29	38¼
GSX160421**	35½	35½	36¼
GSX160481**	35½	35½	36¼
GSX160601**	35½	35½	38¼
GSX160611**	35½	35½	38¼

**ACCESSORIES**

MODEL	DESCRIPTION	GSX16 018F*	GSX16 024F*	GSX16 030F*	GSX16 036F*	GSX16 042F*	GSX16 048F*	GSX16 060F*	GSX16 061F*
ABK-20	Anchor Bracket Kit ^		X	X	X	X	X	X	X
ABK-21	Anchor Bracket Kit ^	X							
ASC-01	Anti-Short Cycle Kit	X	X	X	X	X	X	X	X
CSR-U-1	Hard-start Kit	X	X	X	X	X	X	X	X
FSK01A <sup>1</sup>	Freeze Protection Kit	X	X	X	X	X	X	X	X
LSK02A <sup>2</sup>	Liquid Line Solenoid Kit	X	X	X	X	X	X	X	X
TXV-30 <sup>2</sup>	TXV Kit	X	X	X					
TXV-42 <sup>2</sup>	TXV Kit				X	X			
TXV-48 <sup>2</sup>	TXV Kit						X		
TXV-60 <sup>2</sup>	TXV Kit							X	X

<sup>^</sup> Contains 20 brackets; four brackets needed to anchor unit to pad

<sup>1</sup> Installed on indoor coil

<sup>2</sup> Field-installed, non-bleed, expansion valve kit.